

# PFM75

## Portable Fluid Monitor

Designed as a mobile on-line laboratory to measure particulate, water, and overall oil health, the PFM75 is an easy and cost effective way to track oil condition and optimize the efficiency of your hydraulic and lube assets. Take control of your oil analysis with the PFM75 to eliminate bottle sampling error and to get your results in real time without having to wait for the lab.

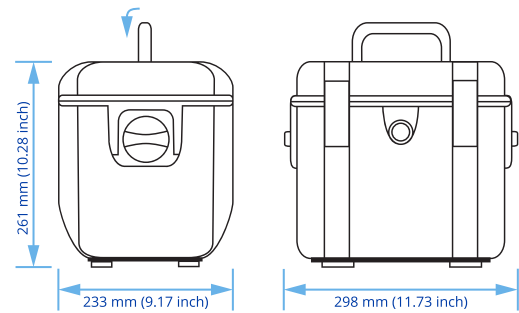


[hyprofiltration.com/PFM75](http://hyprofiltration.com/PFM75)



## Small size, huge results.

Portability is the first priority when you have to track the condition of all your plant's oils. That's why the PFM75 is designed to pair unmatched portability with comprehensive condition monitoring, all in a rugged package. Lightweight and easy to use, the PFM75 will revolutionize the way you track your oil cleanliness.

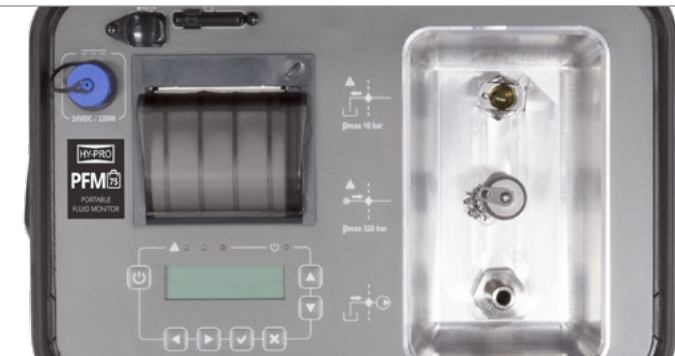


## Powerful data. All day long.

Capable of providing measurements for more than 24 hours on a single charge when running without the pump, the PFM75 provides powerful insight into your fluid condition without the need to be tied down by power cords. And when it is time to recharge, you'll be back up and running in less than an hour.

## Measurements on your time.

Sampling with the PFM75 can be carried out directly via a pressure line or the integrated pump to measure your oil condition quickly and easily. The integrated real-time clock adds a time stamp to all measured data which can also be marked with a freely definable measuring point indicator to make cataloging, tracking and trending your data easier than ever.



## Results in front of your eyes.

For immediate results, the PFM75's integrated printer delivers all of your oil information with the push of a button. Internal data storage also allows for saving more than 1,250 data records which can easily be transferred for processing via the included USB-B adapter or SD card. You can even choose which measurement standard (ISO, SAE, NAS, & GOST) to quantify to make your data more accessible than ever.

## Poor sampling port location? No problem.

In our experience, 90% of OEM sample port locations don't stand up to sampling best practices. Pair your PFM75 with Hy-Pro's integrated sample port fittings and proper sampling techniques to provide best practice sampling and get the most accurate data for trending your oil condition time and time again.



## Monitor on the move.

Supplied with everything you need to hit the ground running, the PFM75 is the perfect solution for monitoring your fluid conditions when and where you need it. To make it even easier, the power supply, hoses, couplings, and monitor all fit conveniently in the included accessory bag.

# PFM75 Specifications

Operating Pressure	<b>High Pressure Connection<sup>1</sup></b> 73 - 4640 psi (5 - 320 bar)	<b>With Pump Operation</b> 0 psi (0 bar)		
Fluid Viscosity Range <sup>2</sup>	5 - 1000 cSt			
Operating Conditions	<b>Fluid Temperature</b> 32°F to 140°F (0°C to 60°C)	<b>Ambient Temperature</b> 14°F to 176°F (-10°C to 80°C)	<b>Relative Humidity</b> 0%-95% r.H. (non-condensing)	
Fluid Compatibility	Mineral oils (H, HL, HLP, HLPD, HVLP), synthetic esters (HETG, HEPG, HEES, HEPR), polyalkylenglycols (PAG), zinc and ash-free oils (ZAF), polyalphaolefins (PAO)			
Wetted Materials	Chrome, aluminum, stainless steel, Viton, steel, brass, HNBR, NBR, polyurethane resin, epoxy resin, chemical nickel/gold (ENIG), soldering tin (Sn96, 5Ag3CuO, 5NiGe), aluminum oxide, glass (DuPont QQ550), gold, silver-palladium, sapphire, PVC (hoses)			
Device Power Supply	<b>Power Supply</b> 24 V dc	<b>Power Consumption</b> Max 8 A		
Power Adapter Power Supply	<b>Power Supply</b> 100 - 240 V ac (50/60 Hz). European and US plugs included	<b>Power Consumption</b> Max 4 A	<b>Power at 24 V dc - Output</b> Max 221 W	
Battery	<b>Nominal Capacity</b> 7500 mAh	<b>Loading Time</b> <1 h	<b>Running Time When Measuring Without Pump</b> >24 h	
Display Particle Measurement	<b>ISO 4406:99</b> 0 - 28 (calibrated area 10 - 22)	<b>SAE AS 4059E</b> 000 - 12	<b>NAS 1638 (based)<sup>3</sup></b> 00 - 12	<b>GOST 17216 (based)<sup>3</sup></b> 00 - 17
	<b>Size Channels</b> 4 $\mu\text{m}_{\text{IC}}$ , 6 $\mu\text{m}_{\text{IC}}$ , 14 $\mu\text{m}_{\text{IC}}$ , 21 $\mu\text{m}_{\text{IC}}$			
Measuring Range Oil Parameter	<b>Relative Permittivity</b> 1 - 7	<b>Relative Humidity</b> 0 - 100%	<b>Conductivity</b> 100 - 800,000 pS/m	<b>Temperature</b> -4°F to 248°F (-20°C to 120°C)
Measuring Accuracy	<b>Particle Measurement (within calibr. range)</b> <b>ISO 4 / ISO 6</b> ±1	<b>Particle Measurement (within calibr. range)</b> <b>ISO 14 / ISO 21</b> ±2	<b>Relative Dielectric Number<sup>4</sup></b> ±0.015	<b>Relative Humidity (10-90%)<sup>5</sup></b> ±3% r.H.
	<b>Relative Humidity (&lt;10,&gt;90%)<sup>5</sup></b> ±5% r.H.	<b>Conductivity (100 - 2000 pS/m)</b> ±200 pS/m	<b>Conductivity (2000 - 800,000 pS/m)</b> Typ. <10%	<b>Temperature</b> ±2 K
Interfaces	USB-B, SD-card (SD or SD-HC in FAT/FAT16/FAT32-data format)			
Internal Data Memory	1250 readings (with time stamp)			

<sup>1</sup>Depending on the oil viscosity.

<sup>2</sup>Depending on the permissible operating pressure.

<sup>3</sup>From software version 1.70.15 upwards.

<sup>4</sup>Calibrated to n-Pentan at 77°F (25°C).

<sup>5</sup>Calibrated to air at room temperature.

# PFM75 Reference Guide

Rubberized ergonomic handle

SD card slot

USB-B connection

Charger connection

Printer

Control panel with digital display

Lid closure latch



Oil out CPC-LC

Spill containment tray

Pressure line Minimess® M16x2

Suction line internal pump CPC-LC

Hasp for padlock

## Ordering Information

	Part Number	Description
Base Package	<b>PFM75</b>	PFM75 Portable Fluid Monitor unit with operating manual, power supply (100-240 V), power cable with both European and non-European plugs, low-pressure hose set including connection couplings, high-pressure hose, SD memory card, and carrier bag for PFM75 and accessories.
Spare Parts	<b>PFM75SP-0001</b>	Set of covers for SD and USB ports
	<b>PFM75SP-0002</b>	Hose set with couplings
	<b>PFM75SP-0003</b>	Minimess® cable with 6.6 ft (2 m) M16 x 2
	<b>PFM75SP-0004</b>	Paper rolls for thermal printer
	<b>PFM75SP-0005</b>	Power supply
	<b>PFM75SP-0006</b>	Power cable
	<b>PFM75SP-0007</b>	Protection caps (2)
	<b>PFM75SP-0008</b>	Suction connection
	<b>PFM75SP-0009</b>	Protective strainer

Minimess® is a registered trademark of Hydrotechnik GMBH.

**Want to find out more? Get in touch.**

hyprofiltration.com  
 info@hyprofiltration.com  
 +1 317 849 3535

© 2017 Hy-Pro Corporation. All rights reserved.



MKTLITACC-PFM75-030217-BC