

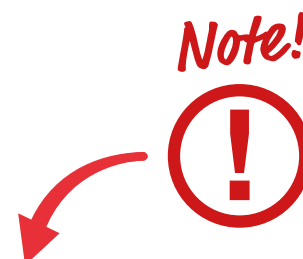
**EASY-LASER<sup>®</sup>**

**MEASUREMENT AND ALIGNMENT SYSTEMS**  
**PRODUCT CATALOGUE**

**21**

INTRODUCTION / USER STORIES / DOCUMENTATION	3
SHAFT ALIGNMENT SYSTEMS	8
SHEAVE/PULLEY ALIGNMENT SYSTEMS	16
DIGITAL PRECISION LEVEL	18
VIBRATION MEASUREMENT TOOL	19
SPECIAL WIND SYSTEMS	20
GEOMETRIC MEASUREMENT SYSTEMS	22
MEASUREMENT PROGRAMS E and XT SERIES	34
DISPLAY UNITS	38
LASER TRANSMITTERS	39
DETECTORS AND OTHER RECEIVERS	41
MEASURING UNITS	43
BRACKETS AND MISCELLANEOUS PRODUCTS	46
SPARE PARTS	71
APPAREL / GIVE AWAYS	75
DISCONTINUED PRODUCTS	76
TECHNICAL SPECIFICATIONS AND DRAWINGS	86
SPECIFICATIONS FOR BATTERIES AND CHARGERS	87
PART NUMBER PAGE LIST	112

SYSTEM	PAGE
XT770 Shaft	9
XT660 Shaft	10
XT550 Shaft Ex/ATEX	11
XT440 Shaft	12
E710 Shaft	13
E420 Shaft	14
XT190 BTA	16
D90 BTA	17
XT290 Digital Level	18
XT280 VIB	19
Wind Shaft Systems	20
E980 Sawmill	22
E970 Parallelism	23
E960-A Turbine alignment	24
E960-B Turbine alignment	25
E950-A Bore alignment	26
E950-B Bore alignment	27
E950-C Bore alignment	28
E950-D Bore alignment	29
E930 Extruder	30
E920 Geometric	31
E915 Flange Spin	32
E910 Flange	33



WHAT THE PICTURES SHOW

**System picture.** Does only show the main parts of the system, not all items that are included. Always read the Part list for complete system specification.

**Easy-Laser® E915 Flange Spin**  
Part No: 12-0526

**Measure flatness easily with spinning laser**  
This system is mainly for wind turbine tower producers who want to measure flatness of flanges. Similar applications can be e.g. slewin bearings. You can see the result as a true 3D image in the display directly after measuring. Then evaluate the result easily with differ calculation settings, for example three point reference, best fit or z positive. This can also be done directly on site without having to st to go to a PC with separate analysis programs, which was the case previously. This makes production much more efficient.

The system includes laser transmitter D23 Spin with power rotating head. This is how it works in brief: The laser beam from the transmitter rotates constantly and creates a reference plane over the entire measurement object. Measurements are performed quicker as you not have to align the beam for each new measurement position. You place the detector at the desired measurement points and register reading by a push of a button. In principle, one person can perform the measurement themselves. It is then possible to generate a PDI

2 AXIS PSD  
20 m / 66'

DUAL DETECTION TECHNOLOGY

**[D] |D550| |E| |XT|:** Indicates which product range the part is compatible with. If no letter is present, the part fits all ranges.

**|XT\*|:** If there is an asterisk \*, the bracket will need an adaptor to fit.

**Note:** If there are other compatibility limitations these are mentioned for each product. For more information see next page.

**Detector E5**  
Part No: 12-0509  
**Description:** Detector for the E [0.79"x0.79"]. Built-in 360° ele making it possible to connect t ly mounted on rods, but has m thanks to threads on two sides  
**Note:** With Dual Detection Tec fixed point laser and spinning l

Main product picture <sup>1</sup>

**Additional pictures <sup>1</sup>**  
Can show the system/product in an application, a product function or another view.

NOTE!

We reserve the right to make modifications of the product design and technical specifications without prior notification.

<sup>1</sup> Be aware that these pictures may show items that are not included for the specific part number.

## STRAIGHTFORWARD BY ALL MEASURES

Easy-Laser® is one of the world's leading manufacturers and suppliers of laser measurement systems for all types of industry. We provide extreme accuracy and precision. But that's not what sets us apart. Today, when virtually anyone with a decent laser can do "straight", to get ahead, you need to be a bit more forward-thinking.

Because, in the long run, what really counts is neither the absolute straightness of an individual component nor the precise alignment of shafts. It's what these measures add up to: Increased productivity and the saving of resources. Those are the things we ultimately deliver. And from that perspective our most important task is to help you make the road leading there as free from bumps and bends as possible.

That means developing user-friendly measurement and alignment systems that are as easy to get your head around, as they are versatile and scalable. It also means shortening delivery times, extending warranties and optimizing training and support.

Moreover, you can always expect us, or any of our partners, to give you an honest opinion on which of our products are crucial to your operations and which you can do without. What really needs to be aligned and what not. So that what we offer you is a solution perfectly aligned with your needs – and your budget.

Regardless of whether you're a service technician, a purchaser or the CFO of a multinational industrial group, you'll find Easy-Laser® truly easy to deal with. Or as we like to put it – straightforward by all measures.



### LONG WARRANTY

The systems come with a 3 year limited warranty. The manufacturing and quality systems are ISO9001 approved.



### OUR SERVICE CONCEPT

Our service department usually takes care of servicing or calibration within seven working days. All this makes Easy-Laser® a safer working partner for your operation. As an extra service, we provide a 48 hour express service for when accidents occur and time is of the essence. Contact us for further information about terms and conditions.



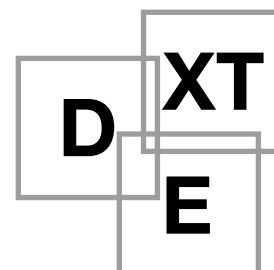
### COMPATIBILITY BETWEEN D, E AND XT

Easy-Laser® measurement systems are extremely versatile in their standard form. By using clever accessories, you can adapt the systems for your own needs, now and in the future as your measurement requirements change. You can also combine parts from one system with another. This is cost-effective! However, there are some differences you need to know:

**Note1:** The D-series, E-series and XT-series detectors and display units can only be used within its own product series. This is due to software communication. Laser transmitters are no problem, because they do not communicate with measurement software.

**Note2:** Brackets for D- and E-series has a rod C-C of 40 mm, XT-series rod C-C is 56 mm. The XT offset bracket (12-1008) function as an adaptor for these two measures, but doesn't fit all older brackets.

**Note3:** Brackets for D550Ex has a rod C-C of 70 mm. These brackets are marked |D550|. Please note that D550Ex is discontinued, and replaced by XT550Ex (rod C-C 56 mm).





## Reliable machinery installation

**“Reliable machinery installation” – it sounds like an obvious thing, don’t you agree? But where does reliability actually start?**

We all know that “the thing” starts with the design. The design stage decides what is going to be installed. Which equipment, and where. But there is no decision of Who is going to perform the installation, and How it is going to be installed. Most of the time those two departments are not cooperating, especially if they don’t belong to the same organization. The installation teams must be involved in the design because they will provide their feedback for reliable machinery installation. They know exactly how the things work out there and how this needs to be done.

Every day I see on the social media tons of information regarding reliability maintenance, condition monitoring, sensors, cameras and all possible problem-solving technologies. All those technologies provide necessary information from our assets. Things we need to know in order to evaluate the condition of our assets. But what about the most crucial step? Machinery installation, anyone? I have been assembling and building skids and gas compression systems for gas and petrochemical industry for many years. My experience has shown me that “flatness and levelness” is one of the most critical issues when it comes to the assembly of rotating machinery.

### Designed for flatness and levelness

All machinery is designed to work on a flat and levelled surface. Every manufacturer of pumps, compressors, blowers, electrical motors, gear boxes assume that their equipment is going to be installed correctly, meaning on flat and levelled surface. And they also provide their tolerances for this. There are standards for the installation, too. ANSI standards recommend foot flatness less than 0.4µm/mm [5 mils/ft]. And coplanarity less than 50µm/mm [2 mils] between the machines and their drives for machines up to 400kW or 500 HP. ISO

standard for centrifugal pumps for petroleum, petrochemical and natural gas industries (ISO 13709:2009) say clearly that “Corresponding surfaces shall be in the same plane within 150µm/m”. That is 0,15mm per meter. Levelness has the tolerances less than 0,8 µm/mm [10 mils/ft]

### Flatness and levelness affect everything

Checking the flatness of the foundation is essential. The foundation is the cornerstone for every single installation, irrespective of type. Mounting pads, soleplates, frames and tables. Everything you put on top of them is going to be affected. When the flatness is out of tolerances all rotating equipment is affected. Soft foot, misalignment, machine casing stress, pipe flange misalignment, and many other causes. But I want to mention specifically one, and that is strain in the bearings. The bearing is designed to rotate using the oil film lubrication. According to Swedish bearing manufacturer SKF, a free running bearing with the proper lubrication will rotate to infinity. When the bearing is squeezed, the lubrication film is forced out and contact metal-to-metal appear. Excess heat is generated, and your bearing is running into the failure. That simple. All other failures will be linked to it. And it often started with a flatness issue.

Levelness is another factor affecting heavily the equipment. Vertically installed bearings carry on horizontal loads and if you change their gravity point, the lubrication will move out of their race way. If you have not proper lubrication film, there will be metal to metal contact. If you have splash lubrication in your machine, and you have unlevelled installation, you will move the oil away from the oil slinger. That will be End of the story.

Why would you install your asset on bases which is not checked for proper flatness and levelness and face all the problems related to it? After reading this you can at least not claim “I didn’t know it was important...”

**Roman Megela Gazdova**

Senior reliability engineer, Easy-Laser AB





## Bilfinger goes Ex

**Bilfinger Maintenance is Germany’s leading maintenance service provider. They decided to make a leap into the future of laser alignment – the app based intrinsically safe XT550 Ex system.**

### The leading maintenance service provider

In the ‘Industriepark Höchst’ in Frankfurt/M. alone, the Bilfinger Machine and Drive Technology Division attend most of the manufacturing companies and a growing number of customers outside of the chemical park. When it comes to shaft alignment, experts from Bilfinger rely on the co-operation with the Swedish company Easy-Laser for nearly two decades. Shortly after Easy-Laser had officially launched their XT550 EX shaft alignment system at the Hannover trade show in April 2018, the innovative measurement system was delivered to Bilfinger, who was the first customer.

### Explosion protection is essential

A big plus for the intrinsically safe XT550 EX is its ATEX and IECEx-certification: The system can be used in the explosive atmospheres of zone 1 and 2, without the customer needing a separate ‘hot permit’ and having to shut down his production, which always means significant financial and time-consuming expenditure. “Earlier, the entire facility would have to come to a complete standstill. Today, there are more and more only partial shutdowns of only one section while the adjacent production carries on running. This is a big advantage, saving considerable time for both us and the customer”, says Mr. Karl-Heinz Bank, head of Machine Technology and Service Technicians at Bilfinger.

### Smart documentation shortens downtime

With the XT alignment systems, the user is on-site to carry out measurements and then creates a measurement report within the system, including graphs in a PDF or Excel format, before sending it off electronically. “This saves a lot of time and makes it easier for the customer because he has the documentation on his desk straight away and can start operating the machine again straight away”, says Bank.

This is a short version. Read the full story published on our web site, [www.easylaser.com](http://www.easylaser.com)

Bilfinger is a leading international industrial service provider. With around 36,000 employees, in 2017, Bilfinger generated a sales revenue of around 4.044 billion euros. Learn more about Bilfinger services worldwide: [www.bilfinger.com](http://www.bilfinger.com)

## LEARN SOME MORE

Read more interesting cases on: [www.easylaser.com](http://www.easylaser.com)

Here are some direct links to click if you read this as a PDF:



### Alignment tolerances guiding your work >>

Recently a new standard was published in the U.S. by the Acoustical Society of America (ASA) and the American National Standards Institute (ANSI) called ANSI/ASA S2.75-2017/Part 1. This new standard is a great thing for our industry and will help us with all of our installation work and more. It is written following the core technical components of Measure, Analyze, Correct and Documentation.



### Making the impossible possible >>

We got an urgent call from one of our long time contacts at a contracting company based in Brazil. They were on site, working on getting one out of four gas turbines quickly back online after an unscheduled shut down. This is the story of how a complicated alignment job was solved by a clever Easy-Laser® alignment technician.



### The challenges of on ship alignment >>

On Site Alignment is a Dutch company with a focus on alignment onboard ships. They offer high-end services, which doesn’t prevent their work from being physically challenging, sometimes including complicated crawling through narrow and dirty areas. Alignment on ships comes with other challenges as well. There are a lot of parameters to take into consideration. A ship on the water is moving, and it has different loading and ballast conditions. On Site need to consider all of this to calculate the correct alignment targets.

**LEARN MORE ABOUT A SPECIFIC MEASUREMENT SYSTEM OR APPLICATION**

In our measurement system brochures you can find technical specifications and more information on the systems and products in this Product overview. Available for download in different languages from: [www.easylaser.com](http://www.easylaser.com)



Easy-Laser® E980



Easy-Laser® E970



Easy-Laser® E960



Easy-Laser® E950



Easy-Laser® E930



Easy-Laser® E920



Easy-Laser® E910/E915



Easy-Laser® E710



Easy-Laser® E420



Easy-Laser® XT770



Easy-Laser® XT660



Easy-Laser® XT550 Ex



Easy-Laser® XT440



Easy-Laser® XT290



Easy-Laser® E290



Easy-Laser® XT280



Easy-Laser® XT190



Easy-Laser® D90



# COMPLETE SYSTEMS





# GENERATION XT

## A declaration of independence



Easy-Laser® XT11 was awarded the iF DESIGN AWARD 2017 and Red Dot 2018 for its design, ergonomics and innovative features.



**All XT programs in one free app**  
All XT measurement programs in one straightforward application available for free. Functionality for iOS, Android and Easy-Laser® XT display units.



**No lock-ins**  
Buy with or without the user-friendly, shockproof and waterproof Easy-Laser® XT11 display unit.



**Maximum flexibility and trainability!**  
Purchase multiple systems with various capabilities, train once! The training costs are minimized significantly since the app interface and basic functionality is identical for all systems.

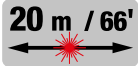


**Long operating times**  
The long operating times of up to 16 hours for the Display unit and 24 hours for the Measuring units mean even the toughest jobs will be finished on time with no interruptions.

- XT770**
- XT660**
- XT550**
- XT440**
- XT290**
- XT280**
- XT190**



12-1095



Please also see the Programs and functions overview on page 35!



**Easy-Laser® XT770 Shaft**

**Part No:** See below. Four combinations available.

**Multi-platform alignment system**

Easy-Laser® XT770 is a multi-platform system. It runs on your iOS and Android unit<sup>1</sup>. You can also choose a complete system with our ergonomic and rugged, IP66/67 approved shock proof Easy-Laser® XT11 display unit. As standard a 13 MP camera for documentation is built-in. You can also add an IR camera to the XT11; shoot a thermal image before and after alignment and include with the documentation! The measuring units are also rugged and IP66/67 approved, featuring wireless technology, an integrated rechargeable battery and large 20x20 mm [0.79"x 0.79"] 2 axis TruePSD detectors and dot type laser technology. A built-in OLED display shows battery status and the angular value of the unit for easy positioning. Thanks to high capacity rechargeable batteries the operating times are very long: Display unit: 16 h, Measuring units: 24 h.

**All functions are available in one app**

Programs for alignment of horizontal, vertical/flange mounted machines, machine trains and cardan/offset mounted machines\* plus EasyTrend for dynamic measurements\* are included. Functions for soft foot check, thermal growth compensation and tolerance check. The XT70-M/S units allow for multipoint, continuous sweep and uncoupled sweep measurements. They also support the 360°LIVE move feature. With the Twist measurement program you easily check the base flatness. The very versatile Values program, together with the dot-type laser technology adds functionality for e.g. checking bearing clearance. The built-in Users Manual opens the relevant chapter depending on where in the process you are. (\*requires accessories)

**Geometric measurements**

With the GEO kit added to your XT770 you will, using the Values or Basic Flatness program, be able to do flatness and straightness measurements with the highest reliability and precision.

<sup>1</sup>Please see our web site for a complete list of which tablets we recommend: easylaser.com > support > software download

**System with display unit, Large case (Part No. 12-1095)**

Weight complete system: 11.9 kg [26.2 lbs]



**System without display unit, Large case (Part No. 12-1096)**

Weight complete system: 10.4 kg [22.9 lbs]

**System with display unit and GEO Kit Large case GEO (Part No. 12-1127)**

Weight complete system: 14.7 kg [32.4 lbs]



**System without display unit, with GEO Kit Large case GEO (Part No. 12-1128)**

Weight complete system: 13.2 kg [29.1 lbs]



- 12-0961 (1) Display unit XT11
- 12-1045 1 Measuring unit XT70-M
- 12-1046 1 Measuring unit XT70-S
- 12-0963 2 Shaft bracket with chain and rods
- 12-1008 2 Offset bracket for XT-series
- 12-0013 2 # Magnet bases
- 12-1161 1 Set of Rods 4x75 mm
- 12-0987 1 Rods (4x120 mm)
- 12-1060 1 Extension chain (2x900 mm)
- 03-0824 1 Measuring tape 3 m
- 03-0967 1 Hexagon wrench set
- 03-1256 1 Battery charger (100–240 V AC)
- 12-0989 1 DC split cable for charging
- 12-0751 1 DC to USB adapter, for charging
- 12-0997 (1) Shoulder strap for display unit
- 05-0913 1 Quick manual (Note: Refers to English manual)
- 03-0878 1 Cleaning cloth for optics
- 03-0914 1 USB memory stick with documentation
- 04-0307 1 Set of QR code stickers
- 12-0991 1 Documentation folder
- 12-1049 (1) Carrying case Large
- 12-1132 (1) Carrying case Large GEO

WxHxD: 565x455x210 mm [22.2x17.9x8.2"]

(1) = Included depending on system Part No.

**GEO Kit for XT includes:**

- 12-0022 1 Laser transmitter D22
- 12-1133 1 Magnet base with turnable head ( #replaces one of the regular magnet bases)
- 12-0987 1 Rods (4x120 mm)

**Options for XT11: (Note! Cannot be retrofitted.)**

- 12-0968 1 IR Camera added to XT11
- 12-0985 1 Camera (and LED light) removed from XT11

**Examples of accessories for XT770:**

- 12-1151 1 Cardan bracket kit
- 12-1130 1 Dynamic measurement brackets (complete kit)
- 12-1147 1 Magnetic bracket for XT-series
- 12-1012 1 Thin shaft bracket for XT-series
- 12-1010 1 Sliding bracket for XT-series
- 12-1161 1 Rods (4x75 mm)
- 12-0324 1 Rods (8x120 mm)
- 12-0060 1 Rods (4x240 mm)
- 12-1053 1 XT190 BTA Digital belt alignment tool
- 12-1090 1 XT280 Vibrometer
- 12-1244 1 XT290 Digital precision level

Note: Always check number of items included for each Part No. before ordering. Accessories not included in the specified system weight above.





12-1051/12-1052

**1** AXIS  
PSD

**IP67**

reddot design award  
winner 2018

DESIGN  
AWARD  
2017

**20 m / 66'**

**IP66**

Please also see the Programs and functions overview on page 35!



## Easy-Laser® XT660 Shaft

**Part No:** See below. Four combinations available.

### Multi-platform alignment system

Easy-Laser® XT660 is a multi-platform system. It runs on your iOS and Android unit<sup>1</sup>. You can also choose a complete system with our ergonomic and rugged, IP66/67 approved shock proof Easy-Laser® XT11 display unit. As standard a 13 MP camera for documentation is built-in, and you can also choose to add an IR camera to the XT11; shoot a thermal image before and after alignment and include with the documentation!

The measuring units are also rugged and IP66/67 approved, featuring wireless technology, an integrated rechargeable battery and large 20x20 mm [0.79"x 0.79"] 1 axis TruePSD detectors and dot type laser technology. A built-in OLED display shows battery status and the angular value of the unit for easy positioning. Thanks to high capacity rechargeable batteries the operating times are very long: Display unit: 16 h, Measuring units: 24 h.

### All functions are available in one app

Programs for alignment of horizontal, vertical/flange mounted machines, machine trains (3 machines) and cardan/offset mounted machines\* are included. Added to that are functions for soft foot check, thermal growth compensation and tolerance check. The XT60-M/S units allow for multipoint, continuous sweep and uncoupled sweep measurements. With the Twist measurement program you easily check the base flatness. As always, Easy-Laser® comes with the very versatile Values program, which together with the dot-type laser technology adds functionality for e.g. checking bearing clearance. The app has a built-in Users Manual, which opens the relevant chapter depending on where in the process you are. (\*requires accessories)

<sup>1</sup>Please see our web site for a complete list of which tablets we recommend: [easylaser.com](http://easylaser.com) > support > software download

*Note: the system can be delivered in two different carrying cases, model Large with space also for accessories. See pictures to the left.*

### System with display unit, Large case (Part No. 12-1052)

Weight complete system: 9.8 kg [21.6 lbs]  
(without accessories)



### System with display unit, Medium case (Part No. 12-1051)

Weight complete system: 7.2 kg [15.9 lbs]



### System without display unit, Large case (Part No. 12-1059)

Weight complete system: 8.2 kg [18.1 lbs]  
(without accessories)

### System without display unit, Medium case (Part No. 12-1058)

Weight complete system: 5.8 kg [11.0 lbs]

- 12-0961 (1) Display unit XT11
  - 12-1028 1 Measuring unit XT60-M
  - 12-1029 1 Measuring unit XT60-S
  - 12-0963 2 Shaft bracket with chain and rods
  - 12-1161 1 Set of Rods 4x75 mm
  - 12-1060 1 Extension chain (2x900 mm)
  - 03-0824 1 Measuring tape 3 m
  - 03-0967 1 Hexagon wrench set
  - 03-1256 1 Battery charger (100–240 V AC)
  - 12-0989 1 DC split cable for charging
  - 12-0751 1 DC to USB adapter, for charging
  - 12-0997 (1) Shoulder strap for display unit
  - 05-0863 1 Quick manual (Note: Refers to English manual)
  - 03-0878 1 Cleaning cloth for optics
  - 03-0914 1 USB memory stick with documentation
  - 04-0307 1 Set of QR code stickers
  - 12-0991 1 Documentation folder
  - 12-0973 (1) Carrying case Medium  
WxHxD: 460x350x175 mm [18.1x13.8x6.9"]
  - 12-1049 (1) Carrying case Large  
WxHxD: 565x455x210 mm [22.2x17.9x8.2"]
- (1) = Included depending on system Part No.

### Options for XT11: (Note! Cannot be retrofitted.)

- 12-0968 1 IR Camera added to XT11
- 12-0985 1 Camera (and LED light) removed from XT11

### Examples of accessories for XT660:

- 12-0013 1 Magnet base (Note: offset bracket also needed.)
- 12-1008 1 Offset bracket for XT-series
- 12-1147 1 Magnetic bracket for XT-series
- 12-1012 1 Thin shaft bracket for XT-series
- 12-1010 1 Sliding bracket for XT-series
- 12-1161 1 Rods (4x75 mm)
- 12-0324 1 Rods (8x120 mm)
- 12-0060 1 Rods (4x240 mm)
- 12-1053 1 XT190 BTA Digital belt alignment tool
- 12-1090 1 XT280 Vibrometer
- 12-1244 1 XT290 Digital precision level

Note: always check number of items included for each Part No. before ordering.



12-1097

Please also see the Programs and functions overview on page 35!



*Note! XT11 isn't ATEX approved.*



## Easy-Laser® XT550 Ex/ATEX Shaft

Part No: See below.

### Intrinsically safe shaft alignment system

Easy-Laser® XT550 is designed for use in potentially explosive environments. You can choose a complete system with the zone 1 approved ECOM display unit. It has a 8 MP camera for documentation built-in. The XT Alignment app also runs on other iOS and Android units.<sup>1 2</sup> The measuring units are rugged and IP66/67 approved, featuring wireless technology, an integrated rechargeable battery and large 20x20 mm [0.79"x 0.79"] 1 axis TruePSD detectors and dot type laser technology. A built-in OLED display shows battery status and the angular value of the unit for easy positioning. Using high capacity rechargeable batteries the operating times are very long; 20 hours.

### All functions are available in one app

Programs for alignment of horizontal, vertical/flange mounted machines, machine trains and cardan/offset mounted machines\* are included. Added to that are functions for soft foot check, thermal growth compensation and tolerance check. The XT50-M/S units allow for multipoint, continuous sweep and uncoupled sweep measurements. With the Twist measurement program you easily check the base flatness. As always, Easy-Laser® comes with the very versatile Values program, which together with the dot-type laser technology adds functionality for eg. checking bearing clearance. The app has a built-in Users Manual, which opens the relevant chapter depending on where in the process you are. (\*requires accessories)

**Note: the system can be delivered with or without the ECOM tablet.**

**For local purchase, find your ECOM reseller here:**

<https://www.ecom-ex.com/company/locations/>

<sup>1</sup>Please see our web site for a complete list of which tablets we recommend: [easylaser.com](http://easylaser.com) > support > software download

<sup>2</sup>For use in potentially explosive environments, the display device you use has to be at least approved for the same level of Ex/ATEX requirements as your work zone. Note that the XT11 isn't ATEX approved.

System with ECOM display unit,  
Ex approved case (Part No. 12-1097)  
Weight complete system: 8.4 kg [18.5 lbs]



System without display unit,  
EX approved case (Part No. 12-1031)  
Weight complete system: Weight: 6.9 kg [15.2 lbs]

- 12-1196 (1) Display unit ECOM Tab-Ex-02
- 12-1026 1 Measuring unit XT50-M Ex/ATEX
- 12-1027 1 Measuring unit XT50-S Ex/ATEX
- 12-1040 2 Shaft bracket Ex/ATEX, with chain and rods
- 12-1161 1 Set of Rods 4x75 mm
- 01-0873 2 Rods 120 mm
- 12-1038 2 Extension chain (900 mm)
- 03-0824 1 Measuring tape 3 m
- 03-0967 1 Rod tool
- 03-1243 1 Battery charger (100–240 V AC)
- 12-0989 1 DC split cable for charging
- 05-0889 1 Quick manual (Note: Refers to English manual)
- 03-0878 1 Cleaning cloth for optics
- 03-0914 1 USB memory stick with documentation
- 04-0307 1 Set of QR code stickers
- 12-1063 1 Carrying case  
WxHxD: 450x300x180 mm [17.7x11.8x7.1"]

(1) = Included depending on system Part No.

### Examples of accessories for XT550:

- 12-0013 1 Magnet base (Note: offset bracket also needed.)
- 12-1008 1 Offset bracket for XT-series
- 12-1147 1 Magnetic bracket for XT-series
- 12-1012 1 Thin shaft bracket for XT-series
- 12-1010 1 Sliding bracket for XT-series
- 12-1161 1 Rods (4x75 mm)
- 12-0324 1 Rods (8x120 mm)
- 12-0060 1 Rods (4x240 mm)

Note: always check number of items included for each Part No. before ordering.

### CERTIFICATIONS:

#### XT50 measuring units:

EX certificate number: Presafe 17 ATEX 10552X, IECEx PRE 17.0049X  
EX classification: Ⓜ II 2 G Ex ib op is IIC T4 Gb, -10°C ≤ Ta ≤ +50°C

#### ecom display unit TabEx02:

EX certificate number: Sira 19 ATEX 1017X, IECEx SIR 19.0012X  
EX classification: Ⓜ II 2G Ex db ia op is IIC T5 Gb, -20°C ≤ Ta ≤ +50°C,  
Ⓜ II 2D Ex tb ia op is IIIC T100°C Db, -20°C ≤ Ta ≤ +50°C  
IECEx classification: Ex db ia op is IIC T5 Gb, -20°C ≤ Ta ≤ +50°C,  
Ex tb i a op is IIIC T100°C Db, -20°C ≤ Ta ≤ +50°C





12-0967

1 AXIS PSD IP67 IP66

Please also see the Programs and functions overview on page 35!

### Easy-Laser® XT440 Shaft

Part No: 12-0967 (with Display unit XT11, in medium sized case)

Part No: 12-0966 (without Display unit, in small case)

#### Multi-platform alignment system

Easy-Laser® XT440 is a multi-platform system. It runs on your iOS and Android unit<sup>1</sup>. You can also choose a complete system with our ergonomic and rugged, IP66/67 approved shock proof Easy-Laser® XT11 display unit. As standard a 13 MP camera for documentation is built-in, and you can also choose to add an IR camera to the XT11; shoot a thermal image before and after alignment and include with the documentation!

The measuring units are also rugged and IP66/67 approved, featuring wireless technology, an integrated rechargeable battery and large 30 mm [1.2"] TruePSD detectors. A built-in OLED display shows battery status and the angular value of the unit for easy positioning. Thanks to high capacity rechargeable batteries the operating times are very long: Display unit: 16 h, Measuring units: 24 h.

#### All functions are available in one app

Programs for alignment of both horizontal and vertical machines are included. Added to that are functions for soft foot check, thermal growth compensation and tolerance check. As always, Easy-Laser® comes with the very versatile Values program. The app has a built-in Users Manual, which opens the relevant chapter depending on where in the process you are.

<sup>1</sup>Please see our web site for a complete list of which tablets we recommend: easylaser.com > support > software download

Note: the system is delivered in different carrying cases depending on if the Display unit XT11 is included or not. In the Small Case you can fit a tablet with the size WxHxD 225x40x140 mm [8.85x1.57x5.51"]. See pictures to the left.



Download on the App Store

GET IT ON Google Play

RUN IT ON EASY-LASER XT11



IR Camera is optional



Medium case

Small case

#### System with display unit (Part No. 12-0967):

- 12-0961 1 Display unit XT11
  - 12-0943 1 Measuring unit XT40-M
  - 12-0944 1 Measuring unit XT40-S
  - 12-0963 2 Shaft bracket with chain and rods
  - 12-1161 1 Set of Rods 4x75 mm
  - 03-0824 1 Measuring tape 3 m
  - 03-0967 1 Hexagon wrench set
  - 03-1256 1 Battery charger (100–240 V AC)
  - 12-0989 1 DC split cable for charging
  - 12-0751 1 DC to USB adapter, for charging
  - 12-0997 1 Shoulder strap for display unit
  - 05-0833 1 Quick manual (Note: Refers to English manual)
  - 03-0878 1 Cleaning cloth for optics
  - 03-0914 1 USB memory stick with documentation
  - 04-0307 1 Set of QR code stickers
  - 12-0991 1 Documentation folder
  - 12-0973 1 Carrying case Medium
- Weight complete system: 7.2 kg [15.9 lbs]  
WxHxD: 460x350x175 mm [18.1x13.8x6.9"]

#### Options for XT11: (Note! Cannot be retrofitted.)

- 12-0968 1 IR Camera added to XT11
- 12-0985 1 Camera (and LED light) removed from XT11

Note: always check number of items included for each Part No. before ordering.

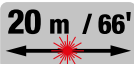
#### System without display unit (Part No. 12-0966):

- 12-0943 1 Measuring unit XT40-M
  - 12-0944 1 Measuring unit XT40-S
  - 12-0963 2 Shaft bracket with chain and rods
  - 12-1161 1 Set of Rods 4x75 mm
  - 03-0824 1 Measuring tape 3 m
  - 03-0967 1 Hexagon wrench set
  - 03-1256 1 Battery charger (100–240 V AC)
  - 12-0989 1 DC split cable for charging
  - 12-0751 1 DC to USB adapter, for charging
  - 05-0833 1 Quick manual (Note: Refers to English manual)
  - 03-0878 1 Cleaning cloth for optics
  - 03-0914 1 USB memory stick with documentation
  - 12-1239 1 Carrying case Small
- Weight complete system: 4.8 kg [10.6 lbs]  
WxHxD: 370x300x185 mm [14.6x11.8x7.3"]

#### Examples of accessories for XT440:

- 12-0013 1 Magnet base (Note: offset bracket also needed.)
- 12-1008 1 Offset bracket for XT-series
- 12-1147 1 Magnetic bracket for XT-series
- 12-1012 1 Thin shaft bracket for XT-series
- 12-1010 1 Sliding bracket for XT-series
- 12-1161 1 Rods (4x75 mm)
- 12-0324 1 Rods (8x120 mm)
- 12-0060 1 Rods (4x240 mm)
- 12-1060 1 Extension chain (2x900 mm). For diameters up to 450 mm [12.7"].
- 12-1053 1 XT190 BTA Digital belt alignment tool
- 12-1090 1 XT280 Vibrometer
- 12-1244 1 XT290 Digital precision level





**Easy-Laser® E710 Shaft**

Part No: 12-0440

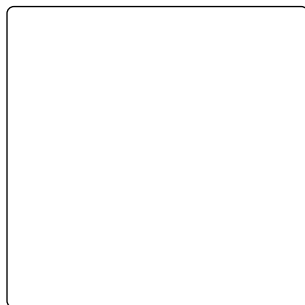
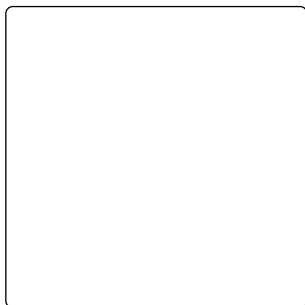
**The measurement system for all stages of machine set-up**

Easy-Laser® E710 gives you all the functions for shaft alignment plus the opportunity to check the machine base and any bearing play using the standard equipment! Programs for Horizontal machines, soft foot checks, Machine trains, vertical/flange mounted and cardan/offset mounted\* machines are included. Furthermore programs for Straightness, Flatness/Twist and Parallelism measurement are included. Using accessories you can also align sheaves/pulleys with digital precision. No other system on the market can offer this flexibility! The keys to the system flexibility and wide range of use are the measuring units with 2-axis TruePSD detectors, and the dual laser beams. Together with the included measurement programs they make the Easy-Laser® E710 a Total Alignment Solution!

Large, clear colour screen, wireless measuring units (included as standard), long operating life and robust design give a measurement system that is both reliable and easy to use.

The measurement values can be registered with only 40° rotation of the shafts. You then align the machine "live" using the measuring units in any position around the shaft. The display unit program is available in several different languages which facilitates use; English, German, French, Spanish, Portuguese, Swedish, Finnish, Russian, Polish, Dutch, Italian, Japanese, Korean and Chinese. Our unique Endurio™ power management system gives up to 30 hours of operating time for the display unit. Expandable for more measurement applications.

*\*Cardan bracket is optional equipment.*



**A complete system contains:**

- 12-0418 1 Display unit E51
- 12-0433 1 Measuring unit ES
- 12-0434 1 Measuring unit EM
- 12-0436 2 Wireless units
- 12-0074 2 Cables 2 m
- 12-0016 2 Shaft bracket with chain
- 12-0319 2 Extension chain
- 12-0013 2 Magnet base
- 01-1165 2 Offset bracket
- 01-0873 4 Rods 120 mm
- 12-0059 1 Set of Rods 4x60 mm
- 05-0461 1 Manual (Note: Refers to English manual)
- 05-0486 1 Quick manual (Note: Refers to English manual)
- 03-0824 1 Measuring tape 3 m
- 03-0914 1 USB memory stick with documentation
- 03-0822 1 USB cable
- 03-1243 1 Battery charger (100–240 V AC)
- 03-0792 2 Toolbox
- 12-0495 1 Shoulder strap for Display unit
- 03-0878 1 Cleaning cloth for optics
- 12-0442 1 Carrying case

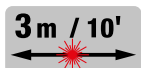
**Examples of accessories:**

- 12-1053 1 XT190 BTA
- 12-1147 1 Magnetic bracket
- 12-1012 1 Thin shaft bracket
- 12-1010 1 Sliding bracket
- 12-0615 1 Cardan bracket
- 12-0585 1 Charger 12–36V
- 12-0617 1 Battery pack
- 12-0618 1 Battery pack with wireless technology
- 12-0597 1 Splitter box
- 12-0059 1 Rods (4x60 mm)
- 12-0324 1 Rods (8x120 mm)
- 12-0060 1 Rods (4x240 mm)
- 12-1060 1 Extension chain (2x900 mm). For diameters up to 450 mm [12.7"].
- 12-0022 1 Laser transmitter D22

Note: always check number of items included for each Part No. before ordering.

**Complete system:**

Weight: 10.0 kg [22.0 lbs]  
 WxHxD: 500x400x200 mm [19.7x15.7x7.9"]



## Easy-Laser® E420 Shaft

Part No: 12-0745

### Entry level redefined!

The Easy-Laser® E420 has wireless measuring units, a large 5.7" colour display and an IP65-rated design that withstands harsh environments.

The measuring units are compact, featuring wireless technology, an integrated rechargeable battery and large 20 mm [0.78"] TruePSD detectors. This means that they are easy to install on most types of machines, even where there is limited space. The wireless technology gives you full freedom of movement around the machine that is to be aligned.

Programs for alignment of both horizontal and vertical machines are included. Added to that are functions for soft foot control, thermal growth compensation and tolerance control.

Pre-mounted units make it easy to install on the machine and the programs guide you step-by-step through the process. Start with the measuring units positioned anywhere on the shaft, recording three readings with as little as 20° of rotation between readings. Then adjust the machine with the live values, and save the measurements in the display unit memory. You can also transfer the results to the database EasyLink™ program (included) for PC.



### A complete system contains:

- 12-0748 1 Display unit E53
- 12-0747 1 Measuring unit ELS20
- 12-0746 1 Measuring unit ELM20
- 12-0016 2 Shaft bracket with chain
- 12-0319 2 Extension chain
- 01-0873 4 Rods 120 mm
- 12-0059 1 Set of Rods 4x60 mm
- 05-0640 1 Quick manual (Note: Refers to English manual)
- 03-0914 1 USB memory stick with documentation
- 03-0824 1 Measuring tape 3 m
- 12-0989 1 DC charging cable
- 12-0751 1 DC to USB adapter
- 03-1243 1 Battery charger (100–240 V AC) for Display unit
- 03-1059 1 Carrying case

### Examples of accessories:

- 12-0013 1 Magnet base
- 01-1165 1 Offset bracket
- 12-1147 1 Magnetic bracket
- 12-1012 1 Thin shaft bracket
- 12-1010 1 Sliding bracket
- 12-0585 1 Charger 12–36V
- 12-0059 1 Rods (4x60 mm)
- 12-0324 1 Rods (8x120 mm)
- 12-0060 1 Rods (4x240 mm)
- 12-0128 1 Extension chain (2x900 mm)

Note: always check number of items included for each Part No. before ordering.

### Complete system:

Weight: 6.3 kg [13.9 lbs]  
 WxHxD: 500x415x170 mm [19.7x16.3x6.7"]



[ This page left blank intentionally ]

**Easy-Laser® XT190 BTA digital Wireless**

Part No: 12-1053

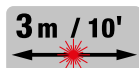
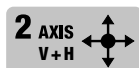
**“Live” digital read outs on clear OLED display**

The detector reads off the position in relation to the laser plane and digitally displays the parallel and angular misalignment “live” on the clear built-in OLED display. The accuracy of the reading means that you can be within the prescribed alignment tolerances and rely upon the result. With this system there is no need to move the detector to read horizontal respectively vertical values, which saves time and makes things easier. Suitable for most types of drive, such as V-belt, timing belt, flat belt and chain drives.

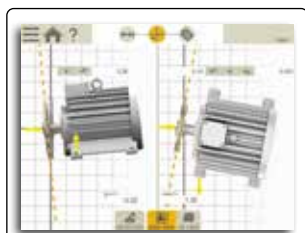
If you connect the detector wirelessly to a separate display unit, e.g. one of our shaft alignment systems, you can read and follow the alignment from where you are standing and making adjustments, instead of only where the detector is mounted. Then you can also set a tolerance and document the result of the alignment.

(Note 1: The XT190 detector unit connects to both the E- and XT-series display units. You can also use it with your iOS and Android phone/tablet. Please see our web site for compatible models.)

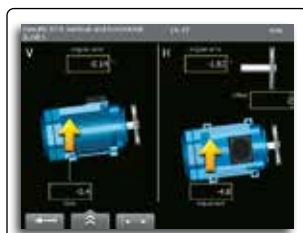
(Note2: There is no separate display unit included. The detector connects wireless to the E51, E52 and XT11 display units with Belt alignment program.)



Built-in display on detector unit. Angle and offset.



XT app for XT11 and iOS/Android display units.



Belt alignment program for E51 and E52.

**A complete system contains:**

12-0309	1	Laser transmitter
12-1054	1	Detector unit with built-in display, wireless
12-0394	2	Targets
03-1243	1	Charger (100–240 V AC) and cable
03-0247	1	Battery R6 (AA) 1.5 V
03-0914	1	USB memory stick with documentation
05-0865	1	Quick manual (Note: Refers to English manual)
12-0804	1	Carrying case



## Easy-Laser® D90 BTA

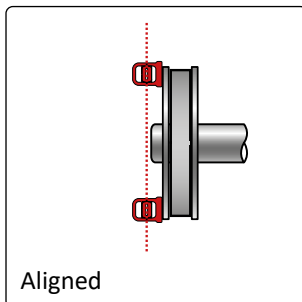
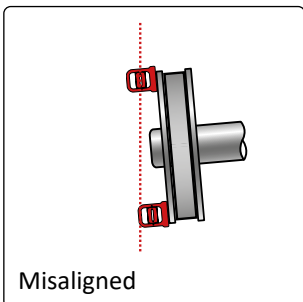
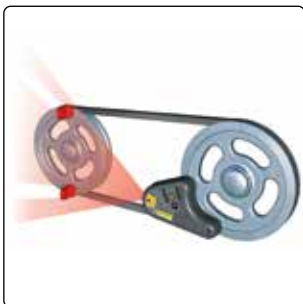
Part No: 12-0415

### For quick and easy alignment of sheaves/pulleys

Easy-Laser® D90 is installed in a few seconds, and the laser line that is projected on the targets clearly shows how to adjust the machines. The tool has targets that can be read out “visually” and which give excellent degrees of accuracy that are sufficient for most users. If, in the future, you wish to have the option of digital readouts with the corresponding advantages, you can add a digital detector (see system XT190).

3m / 10'

D90 BTA is compact and light. Suitable for most types of drive, such as V-belt, timing belt, flat belt and chain drives.



### A complete system contains:

12-0309	1	Laser transmitter
12-0394	2	Target
05-0352	1	Manual
03-0247	1	Battery R6 (AA) 1.5 V
03-0591	1	Padded cover



## Easy-Laser® XT290 Digital precision level

Part No: 12-1244

### For reliable machinery installation

Digital levels are extremely useful tools for setting-up and aligning most types of machines, for example, levelling machine bases, rolls, tables, etc. 0.1 mm/m [mils/inch] is a normal requirement for level at machine installations to ensure correct functionality. Other applications include checking straightness, flatness and parallelism. Easy-Laser® XT290 is simply the must-have addition to your laser-based alignment system.

Accuracy is guaranteed by the precision-ground, hardened steel base. Wide measurement range, very fast inclinometer/value stabilisation, and an easy-to-read TFT colour display with graphics makes the measurement procedure quick and easy. Two mounting holes allow for your own adaptations and brackets.

INCLINOMETERS  
2-AXIS

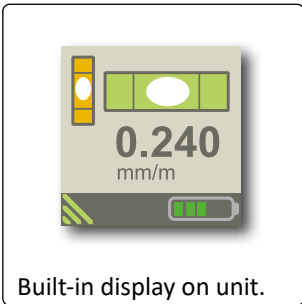
Download on the  
App Store

RUN IT ON  
EASY-LASER XT11

PRECISION LEVEL  
1-AXIS

GET IT ON  
Google Play

BUILT-IN  
DISPLAY



Built-in display on unit.



System case.



XT app for XT11 and iOS/  
Android display units.



Legs for measurement on  
large cylindrical surfaces.

### Connect to a separate display unit

The XT290 connects to the free XT Alignment app (iOS/Android) and our XT11 display unit. Using a separate display unit, for example your smartphone, makes it all even easier as you can read off and follow the adjustment at the point on the machine where the adjustment is made. It is also safer for some applications, where you can leave the unit inside the safety fence, then follow the measurement outside it.

You can make a measurement report with pictures and share it (PDF and Excel). Using the app you can also record values during a set time and frequency, i.e. dynamic measurements. Another possibility with the app is to connect up to four digital levels (or e.g. two levels and two measuring units) at the same time, displayed in the same screen view.

Precision level accuracy:  $\pm 0.02$  mm/m  $\pm 1\%$  [ $\pm 0.02$  mils/inch  $\pm 1\%$ ]

Inclinometers accuracy:  $\pm 0.2^\circ$  (within range  $\pm 5^\circ$ ),  $\pm 1^\circ$  (within range  $\pm 180^\circ$ )

Please see chapter *Technical specifications and drawings* for more data.

(Note: The XT290 does not work with the E-series display units. You can of course still use it as a separate tool.)

### A complete system contains:

- 12-1241 1 Digital Precision Level
- 01-1402 1 Screw for mounting safety strap\*
- 03-1256 1 Charger (100–240 V AC) and cable
- 03-0914 1 USB memory stick with documentation
- 05-0990 1 Quick manual (Note: Refers to English manual)
- 12-1243 1 Carrying case

### Complete system:

Weight: 2.2 kg [4.85 lbs]

WxHxD: 270x240x120 mm [10.6x9.4x4.7"]

### Examples of accessories:

- 12-0901 1 Legs for measurement on cylindrical surfaces 55–800 mm
- 03-1406 1 Safety strap Bahco 3875-LY2\*

\*Please note that safety regulations differ from country to country.



### XT280 Vibrometer

Part No: 12-1090

#### FOR QUICK VIBRATION ANALYSIS

Easy-Laser® XT280 is an easy-to-use vibration monitoring and analysis tool that allows easy display of vibration signals. The XT280 automatically performs vibration analysis functions based on machine running speed to help diagnose faults such as unbalance, misalignment and looseness. The system is designed to enable you to take vibration measurements from assets like pumps, motors, fans and bearings. The unit displays vibration frequency plots and allows vibration severity and bearing condition to be monitored.



For documentation purpose, you can connect the XT280 to the XT Alignment App. Run the app on your phone or tablet\*, or the XT11 display unit.

\* Please see our web site for compatible models.

Built-in display.



XT app for XT11 and iOS/Android display units.



**A complete system contains:**

- 12-1050 1 Vibrometer (with short tip)
- 05-0934 1 Quick manual
- 03-0914 1 USB memory stick with documentation
- 03-1336 1 Padded case

**Examples of accessories:**

- 03-1327 1 Accelerometer magnet
- 03-1326 1 Stinger (100 mm)



12-1143



12-1142

1 AXIS  
PSD

10 m / 33'



## Shaft alignment system for Vestas wind turbines

**Part No:** 12-1143 (Vestas 5/VT20025637)

**Part No:** 12-1142 (Vestas 6/VT20025635)

**Part No:** 12-1183 (Installation Kit Upgrade)

### For shaft alignment with the rotor locked.

Large forces are in action in a wind turbine. The safety of the maintenance technicians is therefore of the utmost importance. With the Easy-Laser® shaft alignment system the generator and gearbox can be aligned with the coupling dismantled and the brake locked.

The Easy-Laser® Vestas shaft alignment systems consist of one general installation kit, one supplement kit for use on more turbines, plus one upgrade kit (or just the bushings, see below).

**Installation kit,** Wireless, Vestas 5.

**Supplement Service kit,** Vestas 6.

### Installation Kit Upgrade

If you have an older system Vestas 4 you can upgrade this for use at MK3E.



### A Vestas 5 system contains:

12-0700	1	Display unit E52
01-1379	1	Protective case for display unit E52
12-0777	1	Measuring unit ELS40, PSD 30 mm, inclinometer
12-0776	1	Measuring unit ELM40, PSD 30 mm, inclinometer
12-0712	5	Nut to adapters with magnet M6 V112
12-0714	4	Screw to Adapters V112, L=75mm
12-0713	2	Fixture Kit for V112
01-1520	4	Adaptor for fixture V112
03-0613	1	Distance gauge incl. adaptor, incl. fastening screw L=35mm
03-1034	1	Distance gauge incl. adaptor, incl. fastening screw L=55mm
01-2163	1	Bushings for MK3E / V150
01-2142	1	Bushings for MK3E / V150
01-2143	2	Washer for MK3E / V150
12-1140	2	Screw to bushings V150 L=45mm
12-0495	1	Strap to display unit
03-0914	1	USB memory stick 4GB
03-0822	1	USB cable A to B 1.8 m
03-1243	1	Battery charger (100-240 V AC) Lev. 6
12-0989	1	DC split cable for charging
12-0751	1	DC to USB adapter, for charging
03-1004	1	Printer Seiko DPU-S445, including charger, cable and USB
03-0824	1	Measurement tape 3m
05-0954	1	Manual E540 Vestas
12-1164	1	Carrying Case Vestas 5

Weight: 28 kg [61.7 lbs]

WxHxD: 670x600x220 mm [26.4x23.6x8.7]

### A Vestas 6 system contains:

12-0703	1	Detector-fixture Generator flange
12-0297	2	Screw knob to Generator fixture M12
12-0298	2	Screw knob to Generator fixture M16
12-0718	1	Detector-fixture Gearbox flange
01-0815	3	Adapter for Gearbox fixture 25 mm
01-0816	3	Adapter for Gearbox fixture 24 mm
01-0817	3	Adapter for Gearbox fixture 22 mm
01-0818	3	Adapter for Gearbox fixture 17 mm
12-0296	3	Screw to adapters
12-0299	4	Nut to adapters with magnet M6
12-1165	1	Carrying case Vestas 6

Weight: 12.3 kg [27.1 lbs]

WxHxD: 570x470x220 mm [22.4x18.5x8.7]

### A Vestas Laser Installation Upgrade Kit contains:

12-1154	1	Bushings for MK3E, set of 2 (VT20025636)
12-1164	1	Carrying case Vestas 5
12-1165	1	Carrying case Vestas 6

## Shaft alignment system GA1 for wind turbines

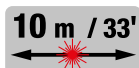
Part No: 12-1118 (Includes 12-1113+12-1114)

### For shaft alignment with the rotor locked.

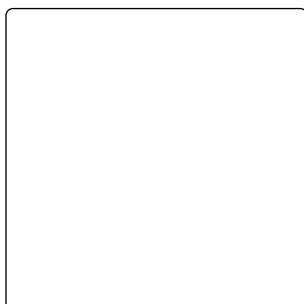
Large forces are in action in a wind turbine. The safety of the maintenance technicians is therefore of the utmost importance. With the Easy-Laser® shaft alignment system the generator and gearbox can be aligned with the coupling dismantled or in place. This system is designed especially for Gamesa turbines, and fits all their turbine sizes. The measurement programs are easy to learn and to use, and there are numerous options for documenting and saving the result of the work.

### NOTE:

Complete system GA1, Part No. 12-1118 consist of Part No. 12-1113+12-1114, but still come in two separate carrying cases. 12-1113 and 12-1114 also sold separately.



Built-in battery and wireless functionality.



12-1118



### System 12-1113 contains:

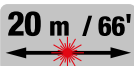
- 12-0700 1 Display unit E52
- 01-1379 1 Protective case for display unit
- 12-0777 1 Measuring unit ELS40
- 12-0776 1 Measuring unit ELM40
- 12-0016 1 Shaft bracket with chain
- 12-0626 1 Chain 900 mm complete
- 12-0059 1 Rods  $\varnothing 10 \times 60$  mm, set of 4 pcs
- 01-0873 4 Rods  $\varnothing 10 \times 120$  mm
- 12-0987 1 Rods  $\varnothing 10 \times 120$  mm, set of 4 pcs
- 12-1147 1 Magnetbracket thin
- 01-1165 1 Offset bracket
- 03-0045 1 Screw MC6S M6x16 mm
- 05-0689 1 Quick manual
- 05-0809 1 Manual GA1
- 03-0824 1 Measuring tape 3.0 m
- 03-0914 1 USB memory stick 2GB
- 03-0822 1 USB cable A to B 1.8 m
- 03-1243 1 Battery charger (100-240 V AC)
- 12-0989 1 DC Split cable, for charging
- 12-0751 1 DC to USB adapter, for charging
- 03-0792 1 Toolbox
- 03-0967 1 Hexagon wrench set
- 01-0048 1 Rod tightening tool, 4 mm
- 12-0495 1 Strap to display unit
- 12-1020 1 Plastic carrying case for 12-1113

Weight: 8.0 kg [17.6 lbs]  
WxHxD: 500x400x200 mm [19.7x15.7x7.9"]

### System 12-1114 contains:

- 12-0975 1 Detector-fixture Generator flange GA1
- 01-1889 2 Adapters to Generator flange GA1 M24
- 01-1892 2 Adapters to Generator flange GA1  $\varnothing 40$
- 01-1891 2 Adapters to Generator flange GA1  $\varnothing 31$
- 01-1890 2 Adapters to Generator flange GA1  $\varnothing 25$
- 12-0974 2 Screw to Adapters L=120mm
- 12-0712 2 Nut to adapters with magnet M6
- 12-0976 1 Detector-fixture Gearbox flange GA1
- 12-0977 3 Screw M24 for Gearbox fixture
- 12-0978 3 Screw M30 for Gearbox fixture
- 01-1884 3 Adapters for M24 Screw to Gearbox fixture
- 01-1885 3 Adapters for M30 Screw to Gearbox fixture
- 03-0613 1 Distance Gauge (coupling flanges), incl. adapter
- 03-1034 2 Ext. adapter distances gauge
- 12-1116 1 Plastic carrying case for 12-1114

Weight: 17.0 kg [37.5 lbs]  
WxHxD: 565x455x210 mm [22.2x17.9x8.2"]



## Easy-Laser® E980 Sawmill

Part No: 12-0727

### Measurement and alignment of sawmill machinery

Easy-Laser® E980 is a laser based measurement and alignment system that helps sawmills to make optimal use of their machines. By setting the machines up correctly it is possible to maintain a high rate of production with the highest quality end products hour after hour.

With Easy-Laser® E980 measuring and adjustment of reducers, counterholds, saw blades and discs become a simple and quick task. The laser line works as an absolutely straight ruler for 40 metres, and is very practical for the demanding and dusty environment of a sawmill. It replaces the long wire used traditionally, and gives many more possibilities for aligning the saw equipment. Thanks to the user friendliness of a laser measurement system the alignment work is properly done when necessary. The investment is quickly returned through fewer production stoppages and more even quality in the sawn timber. It can be used equally well for circular saws and band saws.

Benefits of using Easy-Laser® E980 are:

- Higher production speed
- Less unplanned downtime
- Better product quality
- Longer lifetime for blades
- Longer lifetime for bearings
- Less vibration
- Less waste material

There is a standard system configuration plus some useful accessories. Together with our Easy-Laser representative, the system is adapted to best fit your actual machinery.

Please note that the pictures show older design of case, index table and display unit.



### A complete system contains:

- |         |   |   |
|---------|---|---|
| 12-0418 | 1 | Display unit E51                              |
| 12-0168 | 1 | Laser transmitter D23                         |
| 12-0509 | 1 | Detector E5                                   |
| 12-0436 | 1 | Wireless unit                                 |
| 03-0833 | 2 | Electronic target                             |
| 12-0074 | 1 | Cable 2 m                                     |
| 12-0108 | 1 | Cable 5 m, extension                          |
| 12-0045 | 1 | Magnet base with turnable head                |
| 12-0016 | 1 | Shaft bracket with chain                      |
| 12-0624 | 2 | Bracket for electronic target                 |
| 12-0169 | 1 | Rod bracket with turnable head                |
| 12-0485 | 1 | Magnet bracket short, with turnable head      |
| 12-0484 | 1 | Magnet bracket long, with turnable head       |
| 12-1087 | 1 | Bracket for tilt table                        |
| 12-1083 | 1 | Index table 90°                               |
| 12-0059 | 1 | Set of Rods (4x60 mm)                         |
| 12-0324 | 1 | Set of Rods (8x120 mm)                        |
| 01-0565 | 2 | Large targets                                 |
| 05-0685 | 1 | Manual (Note: Refers to English manual)       |
| 03-0842 | 1 | Measuring tape 5 m                            |
| 03-0914 | 1 | USB memory stick with documentation           |
| 03-0822 | 1 | USB cable                                     |
| 03-1243 | 1 | Battery charger (100–240 V AC)                |
| 03-0967 | 1 | Hexagon wrench set (incl. with 12-0168)       |
| 01-0048 | 1 | Rod tightening tool 4 mm (incl. with 12-0168) |
| 12-0495 | 1 | Shoulder strap for Display unit               |
| 03-0878 | 1 | Cleaning cloth for optics                     |
| 12-1007 | 1 | Transportation case, with wheels              |

### Examples of accessories:

- |         |   |  |
|---------|---|--|
| 12-0022 | 1 | Laser transmitter D22 (add or exchange the D23)                    |
| 12-0509 | 1 | Detector E5 (add an extra unit for more measurement possibilities) |
| 12-1010 | 1 | Sliding bracket (for vertical support rolls)                       |
| 12-0013 | 1 | Magnet base  |
| 12-0045 | 1 | Magnet base with turnable head                                     |
| 12-0696 | 1 | Small magnet base with turnable head                               |
| 12-1053 | 1 | XT190 BTA (belt transmission alignment tool)                       |

Note: always check number of items included for each Part No. before ordering.

### Complete system:

Weight: 15.0 kg [33.1 lbs]  
 WxHxD: 550x450x210 mm [21.6x17.7x8.3"]





## Easy-Laser® E970 Parallelism

Part No: 12-0853

### For parallelism measurement

For parallelism measurement of rolls and other objects in numerous applications. The E970 is especially suitable when many objects are to be measured and aligned, and when the distances are long. This system uses the traditional method where the laser beam (reference) is pointed alongside the machine, and then deflected 90° towards the detector on the measurement object by a penta prism. Measurement values for the horizontal position are registered in both ends of the object. The included precision level is used for the vertical position. Any chosen object or the baseline can be used as a reference. For rolls with diameter 40 mm [1.6"] and larger. Maximum measurement distance with a standard system is 80 metres [260 feet] (40 metres in each direction from the transmitter).

Easy-Laser® E970 is a very versatile system. You can also use it to measure level, straightness and flatness on wire sections (suction boxes), flatness on bases and straightness on rolls. With a few accessories you can also perform shaft alignment. This makes Easy-Laser® a very cost effective solution for your maintenance department.



### A complete system contains:

- 12-0418 1 Display unit E-series E51
- 12-0022 1 Laser transmitter D22 incl. tilt table
- 12-0752 1 Detector E7
- 12-0436 1 Wireless unit for E7
- 12-0846 1 E290 Digital Precision Level
- 12-0901 1 Extension Kit for E290
- 12-0074 1 Cable 2 m
- 12-0108 1 Cable 5 m, extension
- 12-1136 1 Angular prism (incl. laser alignment target)
- 01-2232 1 Tripod adaptor for Angular prism
- 12-0269 2 Tripod
- 12-0203 1 Parallelity kit
- 12-0060 1 Set of Rods 4x240 mm
- 12-0987 1 Set of Rods 4x120 mm
- 12-0059 1 Set of Rods 4x60 mm
- 05-0685 1 Manual (Note: Refers to English manual)
- 03-0842 1 Measuring tape 5 m
- 03-0914 1 USB memory stick with documentation
- 03-0822 1 USB cable
- 03-1243 1 Battery charger (100–240 V AC)
- 12-0989 1 DC charging cable
- 12-0751 1 DC to USB adapter
- 03-0967 1 Hexagon wrench set
- 12-0495 1 Shoulder strap for Display unit
- 03-0878 1 Cleaning cloth for optics
- 12-0869 1 Carrying case

### Examples of accessories:

- 12-1053 1 XT190 BTA
- 12-0856 1 Roll alignment Kit
- 12-0618 1 Battery pack with wireless technology
- 12-0434 1 Measuring unit EM
- 12-0433 1 Measuring unit ES
- 12-0016 1 V-bracket with chain
- 01-1165 1 Offset bracket
- 12-0597 1 Splitter box
- 03-1004 1 Thermal printer
- 12-0455 1 Slide bracket Min. Ø120 mm
- 12-0543 1 Slide bracket Min. Ø200 mm
- 12-0510 1 Slide bracket Min. Ø300 mm
- 12-0269 1 Tripod
- 03-1406 1 Safety strap Bahco 3875-LY2

Note: always check number of items included for each Part No. before ordering.

### Complete system:

Weight: 19.5 kg [43.0 lbs]  
 WxHxD: 620x490x220 mm [24.4x19.3x8.7"]

### Tripod:

Weight: 7.9 kg [17.4 lbs]  
 Transport length: 1110 mm [44"]



## Easy-Laser® E960-A Turbine alignment

Part No: 12-0710

### Reliability and precision

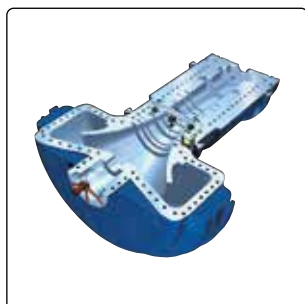
Easy-Laser® E960-A has a measuring probe with a stroke of 10 mm (Short stroke). The slidable tube makes it possible to measure several positions in a row without moving the bracket. Suitable for gas turbines and smaller steam turbines. Makes the measurement and adjustment work of diaphragms and bearings easier thanks to the wireless detector unit and measurement programs that guides you through the measurement process. All of the parts included in the systems are designed and built for even the most demanding workplace and for easy setup on any machinery. The versatile design solves the straightness measurement problems quickly and with precision for any kind of application. Objects up to 40 m [132 feet] can be measured. The detector reads measurement values with a resolution of 0.001 mm [0.05 mils]. Measures diameters 150–1700 mm [5.9–67"].

### Versatile programs

The straightness programs of system E960 are very versatile, and let you work in the way that suits every job best. You can add, remove and re-measure measurement points at any time during the measurement. Up to 999 points can be handled by the program. You can include both full bores and half bores in any possible combination in one measurement, the program will calculate the correct centre line in all cases. The measurement program includes many different methods for straightness measurement: 1-point measurement, 4-point measurement, Multipoint measurement (also ovality measurement), 3-point measurement, 3-point measurement with arbitrary angles. Optionally a reference detector can be used to monitor the laser transmitter position at long distances.

### The measurement result

Thanks to the large colour display with clear graphs and measurement data you can evaluate the result directly on site. Any point can be set as reference and you can set an offset to which the centre line will be recalculated. You can also calculate waviness (short and long) and best-fit for the points. If you want, the result can also be checked against a tolerance value. The measurement system takes care of all these complicated calculations for you.



### A complete system contains:

- 12-0418 1 Display unit E-series E51
- 12-0075 1 Laser transmitter D75
- 12-0752 1 Detector E7
- 12-0436 1 Wireless unit
- 12-0074 1 Cable 2 m
- 12-0108 1 Cable 5 m, extension
- 12-0385 1 Laser transmitter bracket
- 12-0661 1 Offset hub for Laser transmitter
- 12-0438 1 Detector bracket Short stroke
- 12-0443 2 Centering target
- 12-0495 1 Shoulder strap for Display unit
- 05-0685 1 Manual (Note: Refers to English manual)
- 03-0842 1 Measuring tape 5 m
- 03-0914 1 USB Memory stick with documentation
- 03-0822 1 USB Cable
- 03-1243 1 Battery charger (100–240 V AC)
- 03-0878 1 Cleaning cloth for optics
- 12-0724 1 Carrying case with wheels

### Examples of accessories:

- 12-0805 1 Measuring probe ruby, diameter 5 mm
- 12-0801 1 Measuring probe ruby, diameter 2.5 mm
- 12-1047 1 Measuring probe cylindrical
- 12-1048 1 Measuring probe cylindrical, with magnet
- 12-0618 1 Battery pack with wireless technology
- 12-0707 1 Offset hub arm kit for diameters 100–500 mm
- 12-0752 1 E7 (as reference detector)
- 12-0434 1 Measuring unit M
- 12-0433 1 Measuring unit S
- 12-0016 1 V-bracket with chain
- 01-1165 1 Offset bracket
- 12-0187 1 Magnetic bracket for D75
- 12-0282 1 Set of extension arms
- 12-0597 1 Splitter box
- 03-1004 1 Thermal printer
- 12-0022 1 Laser transmitter D22
- 12-0706 1 Laser transmitter D25

Note: always check number of items included for each Part No. before ordering.

### Complete system:

Weight: 30.3 kg [66.8 lbs]  
 WxHxD: 1220x460x170 mm [48.0x18.1x6.7"]





## Easy-Laser® E960-B Turbine alignment

Part No: 12-0711

### Reliability and precision

Easy-Laser® E960-B has a measuring probe with a stroke of 60 mm (Long stroke). Suitable for larger turbines. The system makes the measurement and adjustment work of diaphragms and bearings easier thanks to the wireless detector unit and measurement programs that guides you through the measurement process. All of the parts included in the systems are designed and built for even the most demanding workplace and for easy setup on any machinery. The versatile design solves the straightness measurement problems quickly and with precision for any kind of application. Objects up to 40 m [132 feet] can be measured. The detector reads measurement values with a resolution of 0.001 mm [0.05 mils]. Measures diameters 200–1700 mm [7.8–67"] as standard, and up to 4000 mm [157"] with accessory brackets.

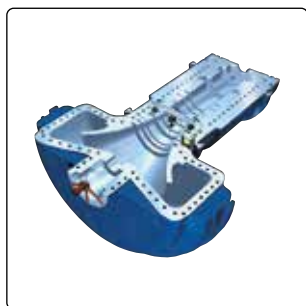
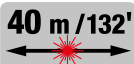
### Versatile programs

The straightness programs of system E960 are very versatile, and let you work in the way that suits every job best. You can add, remove and re-measure measurement points at any time during the measurement. Up to 999 points can be handled by the program. You can include both full bores and half bores in any possible combination in one measurement, the program will calculate the correct centre line in all cases. The measurement program includes many different methods for straightness measurement:

1-point measurement, 4-point measurement, Multipoint measurement (also ovality measurement), 3-point measurement, 3-point measurement with arbitrary angles. Optionally a reference detector can be used to monitor the laser transmitter position at long distances.

### The measurement result

Thanks to the large colour display with clear graphs and measurement data you can evaluate the result directly on site. Any point can be set as reference and you can set an offset to which the centre line will be recalculated. You can also calculate waviness (short and long) and best-fit for the points. If you want, the result can also be checked against a tolerance value. The measurement system takes care of all these complicated calculations for you.



### A complete system contains:

- 12-0418 1 Display unit E-series E51
- 12-0075 1 Laser transmitter D75
- 12-0752 1 Detector E7
- 12-0436 1 Wireless unit
- 12-0074 1 Cable 2 m
- 12-0108 1 Cable 5 m, extension
- 12-0385 1 Laser transmitter bracket
- 12-0661 1 Offset hub for Laser transmitter
- 12-0715 1 Detector bracket Long stroke
- 12-0443 2 Centering target
- 12-0495 1 Shoulder strap for Display unit
- 05-0685 1 Manual (Note: Refers to English manual)
- 03-0842 1 Measuring tape 5 m
- 03-0914 1 USB Memory stick with documentation
- 03-0822 1 USB Cable
- 03-1243 1 Battery charger (100–240 V AC)
- 03-0878 1 Cleaning cloth for optics
- 12-0724 1 Carrying case with wheels

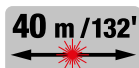
### Examples of accessories:

- 12-0805 1 Measuring probe ruby, diameter 5 mm
- 12-0801 1 Measuring probe ruby, diameter 2.5 mm
- 12-1047 1 Measuring probe cylindrical
- 12-1048 1 Measuring probe cylindrical, with magnet
- 12-0618 1 Battery pack with wireless technology
- 12-0707 1 Offset hub arm kit for diameters 100–500 mm
- 12-0752 1 E7 (as reference detector)
- 12-0434 1 Measuring unit M
- 12-0433 1 Measuring unit S
- 12-0016 1 V-bracket with chain
- 01-1165 1 Offset bracket
- 12-0187 1 Magnetic bracket for D75
- 12-0282 1 Set of extension arms
- 12-0597 1 Splitter box
- 03-1004 1 Thermal printer
- 12-0022 1 Laser transmitter D22
- 12-0706 1 Laser transmitter D25

Note: always check number of items included for each Part No. before ordering.

### Complete system:

Weight: 31.5 kg [69.4 lbs]  
 WxHxD: 1220x460x170 mm [48.0x18.1x6.7"]



## Easy-Laser® E950-A Bore alignment

Part No: 12-0676

### Bore alignment with the highest reliability and precision

Easy-Laser® E950-A is primarily designed for diesel engines (for example crank and camshaft bearings), gearboxes, compressors and similar applications. Positioning workpieces in machine tools is also an appropriate application.

Easy-Laser® E950 makes checking and aligning bearings and bearing journals easier thanks to wireless detectors and versatile brackets. A large colour display with clear graphics and software that guides the user through the entire measurement process contributes to simple operation. The system automatically calculates the bearing journal positions in relation to each other, both horizontally and vertically. You can then evaluate the results directly on-site with different calculation methods such as Best fit around zero and Waviness. It is also possible to analyse the different choices of reference points and set the offset and tolerance values.

A great feature is the check of ovality, for example, to analyse the wear rate. The measurement system takes care of all these complicated calculations for you. You measure and align both full and half bearing journals with equal simplicity. The wireless detector eliminates uncertain factors such as cable pull. All parts are designed for maximum accuracy and stability, and measure with a resolution of 0.001 mm [0.05 mils]. Measurement distance up to 40 m [130 feet]. Easy-Laser® E950 is suitable for use both in production and out in the field.

### Also straightness of shafts and coupling alignment

With the systems, you can also measure the straightness of shafts, foundations, etc. without any additional accessories. With the measuring devices for shaft alignment (accessories), you have the most complete measurement system to align the entire drive train on the market. Programs for all types of measurements are included as standard, you then adapt the measurement system with brackets and detectors for your needs now and in the future.

### A complete system contains:

- 12-0418 1 Display unit E-series E51
- 12-0075 1 Laser transmitter D75
- 12-0752 1 Detector E7
- 12-0436 1 Wireless unit
- 12-0074 1 Cable 2 m
- 12-0108 1 Cable 5 m, extension
- 12-0661 1 Offset hub for Laser transmitter
- 12-0384 1 Set of offset hub arms for diameters 100–500 mm
- 12-0154 1 Set of magnets for offset hub arms
- 12-0990 1 Adjustable magnet for offset hub arms
- 12-0455 1 Slide bracket Min. Ø120 mm
- 12-0543 1 Slide bracket Min. Ø200 mm
- 12-0510 1 Slide bracket Min. Ø300 mm
- 12-0588 1 Large target E-series
- 12-0013 1 Magnet base
- 12-0059 1 Set of rods (4x60 mm)
- 01-0938 2 Rods 30 mm
- 01-0873 4 Rods 120 mm
- 01-0044 2 Rods 240 mm
- 12-0495 1 Shoulder strap for Display unit
- 05-0685 1 Manual (Note: Refers to English manual)
- 03-0842 1 Measuring tape 5 m
- 03-0914 1 USB Memory stick with documentation
- 03-0822 1 USB Cable
- 03-1243 1 Battery charger (100–240 V AC)
- 03-0967 1 Hexagon wrench set
- 03-0878 1 Cleaning cloth for optics
- 12-0684 1 Carrying case Linebore A

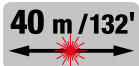
### Examples of accessories:

- 12-0618 1 Battery pack with wireless technology
- 12-0434 1 Measuring unit M
- 12-0433 1 Measuring unit S
- 12-0016 1 V-bracket with chain
- 01-1165 1 Offset bracket
- 12-0187 1 Magnetic bracket for D75
- 12-0282 1 Set of extension arms
- 12-0580 1 Axial extension arms
- 12-0597 1 Splitter box
- 03-1004 1 Thermal printer
- 12-0022 1 Laser transmitter D22

Note: always check number of items included for each Part No. before ordering.

### Complete system:

Weight: 14.0 kg [30.8 lbs], WxHxD: 550x450x210 mm [21.6x17.7x8.3"]



## Easy-Laser® E950-B Bore alignment

Part No: 12-0677

### Bore alignment with the highest reliability and precision

Easy-Laser® E950-B is primarily designed for propeller shaft installations on ships with stern tubes, support bearings, gearboxes and engines.

Easy-Laser® E950 makes checking and aligning bearings and bearing journals easier thanks to wireless detectors and versatile brackets. A large colour display with clear graphics and software that guides the user through the entire measurement process contributes to simple operation. The system automatically calculates the bearing journals positions in relation to each other, both horizontally and vertically. You can then evaluate the results directly on-site with different calculation methods such as Best fit around zero and Waviness. It is also possible to analyse the different choices of reference points and set the offset and tolerance values.

A great feature is the check of ovality, for example, to analyse the wear rate. The measurement system takes care of all these complicated calculations for you. You measure and align both full and half bearing journals with equal simplicity. The wireless detector eliminates uncertain factors such as cable pull. All parts are designed for maximum accuracy and stability, and measure with a resolution of 0.001 mm [0.05 mils]. Measurement distance up to 40 m [130 feet]. The included aluminium beams for the laser transmitter bracket are 1100 mm [43.31"] (main beam) and 500 mm [19.86"] (vertical support beam). Easy-Laser® E950 is suitable for use both in production and out in the field.

### Also straightness of shafts and coupling alignment

With the systems, you can also measure the straightness of shafts, foundations, etc. without any additional accessories. With the measuring devices for shaft alignment (accessories), you have the most complete measurement system to align the entire drive train on the market. Programs for all types of measurements are included as standard, you then adapt the measurement system with brackets and detectors for your needs now and in the future.

### A complete system contains:

- 12-0418 1 Display unit E-series E51
- 12-0075 1 Laser transmitter D75
- 12-0752 1 Detector E7
- 12-0436 1 Wireless unit
- 12-0074 1 Cable 2 m
- 12-0108 1 Cable 5 m, extension
- 12-0661 1 Offset hub for Laser transmitter
- 12-0385 1 Laser transmitter bracket for sterntube
- 12-0341 1 Self centering detector bracket for  $\varnothing 300-1200$  mm
- 12-0588 1 Large target E-series
- 12-0013 1 Magnet base
- 12-0059 1 Set of rods (4x60 mm)
- 01-0938 2 Rods 30 mm
- 01-0873 4 Rods 120 mm
- 01-0044 2 Rods 240 mm
- 12-0495 1 Shoulder strap for Display unit
- 05-0685 1 Manual (Note: Refers to English manual)
- 03-0842 1 Measuring tape 5 m
- 03-0914 1 USB Memory stick with documentation
- 03-0822 1 USB Cable
- 03-1243 1 Battery charger (100-240 V AC)
- 03-0967 1 Hexagon wrench set
- 03-0878 1 Cleaning cloth for optics
- 12-0685 1 Carrying case Linebore B

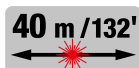
### Examples of accessories:

- 12-0618 1 Battery pack with wireless technology
- 12-0434 1 Measuring unit M
- 12-0433 1 Measuring unit S
- 12-0016 1 V-bracket with chain
- 01-1165 1 Offset bracket
- 12-0187 1 Magnetic bracket for D75
- 12-0282 1 Set of extension arms
- 12-0597 1 Splitter box
- 03-1004 1 Thermal printer
- 12-0022 1 Laser transmitter D22
- 12-0455 1 Slide bracket Min.  $\varnothing 120$  mm
- 12-0543 1 Slide bracket Min.  $\varnothing 200$  mm
- 12-0510 1 Slide bracket Min.  $\varnothing 300$  mm
- 03-0769 1 Aluminium extension beam L=500 mm
- 03-0770 1 Aluminium extension beam L=600 mm
- 03-0771 1 Aluminium extension beam L=1100 mm

Note: always check number of items included for each Part No. before ordering.

### Complete system:

Weight: 27.0 kg [59.5 lbs]  
 WxHxD: 1220x460x170 mm [48.0x18.1x6.7"]



## Easy-Laser® E950-C Bore alignment

Part No: 12-0772

### Bore alignment with the highest reliability and precision

Easy-Laser® E950-C is primarily designed for diesel engines, compressors, gearboxes and similar applications. This system is much like the E950-A, but has for example instead the round detector E9. One of the brackets has a width of 25 mm [0.99"] to fit in narrow bearing journals. Measures bores diameter 80–500 mm [3.15–19.68"] as standard, and down to 50 mm [2.00"] with customized brackets.

Easy-Laser® E950 makes checking and aligning bearings and bearing journals easier thanks to wireless detectors and versatile brackets. A large colour display with clear graphics and software that guides the user through the entire measurement process contributes to simple operation. The system automatically calculates the bearing journals positions in relation to each other, both horizontally and vertically. You can then evaluate the results directly on-site with different calculation methods such as Best fit around zero and Waviness. It is also possible to analyse the different choices of reference points and set the offset and tolerance values.

A great feature is the check of ovality, for example, to analyse the wear rate. The measurement system takes care of all these complicated calculations for you. You measure and align both full and half bearing journals with equal simplicity. The wireless detector eliminates uncertain factors such as cable pull. All parts are designed for maximum accuracy and stability, and measure with a resolution of 0.001 mm [0.05 mils]. Measurement distance up to 40 m [130 feet]. Easy-Laser® E950 is suitable for use both in production and out in the field.

### Also straightness of shafts and coupling alignment

With the systems, you can also measure the straightness of shafts, foundations, etc. without any additional accessories. With the measuring devices for shaft alignment (accessories), you have the most complete measurement system to align the entire drive train on the market. With additional accessories extruder machines can also be measured. Programs for all types of measurements are included as standard, you then adapt the measurement system with brackets and detectors for your needs now and in the future.



### A complete system contains:

- 12-0418 1 Display unit E-series E51
- 12-0075 1 Laser transmitter D75
- 12-0759 1 Detector E9, 2-axis
- 12-0074 1 Cable 2 m
- 12-0108 1 Cable 5 m, extension
- 12-0661 1 Offset hub for Laser transmitter
- 12-0384 1 Set of offset hub arms for diameters 100–500 mm
- 12-0154 1 Set of magnets for offset hub arms
- 12-0990 1 Adjustable magnet for offset hub arms
- 12-0768 1 Slide bracket, Width 25 mm, Min. Ø80 mm
- 12-0767 1 Rod adapter with built in target
- 12-0455 1 Slide bracket Min. Ø120 mm
- 12-0543 1 Slide bracket Min. Ø200 mm
- 12-0510 1 Slide bracket Min. Ø300 mm
- 12-0013 1 Magnet base
- 12-0059 1 Set of rods (4x60 mm)
- 01-0938 2 Rods 30 mm
- 01-0873 4 Rods 120 mm
- 01-0044 2 Rods 240 mm
- 12-0495 1 Shoulder strap for Display unit
- 05-0685 1 Manual (Note: Refers to English manual)
- 03-0842 1 Measuring tape 5 m
- 03-0914 1 USB Memory stick with documentation
- 03-0822 1 USB Cable
- 03-1243 1 Battery charger (100–240 V AC)
- 03-0967 1 Hexagon wrench set
- 03-0878 1 Cleaning cloth for optics
- 12-0782 1 Carrying case

### Examples of accessories:

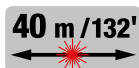
- 12-0553 1 Bore bracket adapter plate
- 12-0314 1 Detector arms Linebore
- 12-0343 1 Slide bracket Min. Ø100 mm
- 12-0752 1 Detector E7 reference detector
- 12-0436 1 Wireless unit
- 01-0777 1 Tube adapters (manufactured on request to specified diameter)
- 12-0214 1 Set of extension rods for Tube measurements
- 12-0434 1 Measuring unit EM
- 12-0433 1 Measuring unit ES
- 12-0016 1 V-bracket with chain
- 01-1165 1 Offset bracket
- 12-0187 1 Magnetic bracket for D75
- 12-0282 1 Set of extension arms
- 12-0580 1 Axial extension arms
- 12-0597 1 Splitter box
- 03-1004 1 Thermal printer
- 12-0022 1 Laser transmitter D22

Note: always check number of items included for each Part No. before ordering.

### Complete system:

Weight: 14.3 kg [31.5 lbs]  
 WxHxD: 550x450x210 mm [21.6x17.7x8.3"]





## Easy-Laser® E950-D Bore alignment

Part No: 12-0954

### Bore alignment with the highest reliability and precision

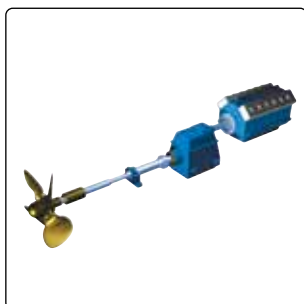
Easy-Laser® E950-D is primarily designed for propeller shaft installations on ships with stern tubes, support bearings, gearboxes and engines.

Easy-Laser® E950 makes checking and aligning bearings and bearing journals easier thanks to wireless detectors and versatile brackets. A large colour display with clear graphics and software that guides the user through the entire measurement process contributes to simple operation. The system automatically calculates the bearing journal positions in relation to each other, both horizontally and vertically. You can then evaluate the results directly on-site with different calculation methods such as Best fit around zero and Waviness. It is also possible to analyse the different choices of reference points and set the offset and tolerance values.

A great feature is the check of ovality, for example, to analyse the wear rate. The measurement system takes care of all these complicated calculations for you. You measure and align both full and half bearing journals with equal simplicity. The wireless detector eliminates uncertain factors such as cable pull. All parts are designed for maximum accuracy and stability, and measure with a resolution of 0.001 mm [0.05 mils]. Measurement distance up to 40 m [130 feet]. Easy-Laser® E950 is suitable for use both in production and out in the field.

### Also straightness of shafts and coupling alignment

With the systems, you can also measure the straightness of shafts, foundations, etc. without any additional accessories. With the measuring devices for shaft alignment (accessories), you have the most complete measurement system to align the entire drive train on the market. Programs for all types of measurements are included as standard, you then adapt the measurement system with brackets and detectors for your needs now and in the future.



### A complete system contains:

- 12-0418 1 Display unit E-series E51
- 12-0075 1 Laser transmitter D75
- 12-0752 1 Detector E7
- 12-0436 1 Wireless unit
- 12-0074 1 Cable 2 m
- 12-0108 1 Cable 5 m, extension
- 12-0661 1 Offset hub for Laser transmitter
- 12-0707 1 Arm kit with magnets
- 12-0990 1 Adjustable magnet for offset hub arms
- 12-0282 1 Extension arms Linebore
- 12-0341 1 Self centering detector bracket for  $\varnothing 300\text{--}1200$  mm
- 12-0588 1 Large target E-series
- 12-0495 1 Shoulder strap for Display unit
- 05-0685 1 Manual (Note: Refers to English manual)
- 03-0842 1 Measuring tape 5 m
- 03-0914 1 USB Memory stick with documentation
- 03-0822 1 USB Cable
- 03-1243 1 Battery charger (100–240 V AC)
- 03-0792 1 Toolbox
- 03-0967 1 Hexagon wrench set
- 03-0878 1 Cleaning cloth for optics
- 12-0986 1 Carrying case Linebore D

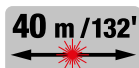
### Examples of accessories:

- 12-0618 1 Battery pack with wireless technology
- 12-0823 1 E30 Long Range laser
- 12-0434 1 Measuring unit M
- 12-0433 1 Measuring unit S
- 12-0016 1 V-bracket with chain
- 01-1165 1 Offset bracket
- 12-0187 1 Magnetic bracket for D75
- 12-0282 1 Set of extension arms
- 12-0597 1 Splitter box
- 03-1004 1 Thermal printer
- 12-0022 1 Laser transmitter D22
- 12-0455 1 Slide bracket Min.  $\varnothing 120$  mm
- 12-0543 1 Slide bracket Min.  $\varnothing 200$  mm
- 12-0510 1 Slide bracket Min.  $\varnothing 300$  mm

Note: always check number of items included for each Part No. before ordering.

### Complete system:

Weight: 18.3 kg [40.3 lbs]  
 WxHxD: 550x450x210 mm [21.6x17.7x8.3"]



## Easy-Laser® E930 Extruder alignment

Part No: 12-0788

### For aligning extrusion machines

Easy-Laser® E930 is designed to measure straightness and pointing direction, primarily on extruder barrels. Another application can be hydraulic pipes for example. With the system, barrels with diameters from 50 mm to 250 mm can be measured. The actual measurable length depends on the diameter and type of barrel, therefore always consult your Easy-Laser representative for further discussions. The transmitter's laser beam can be compared to an absolutely straight and weightless ruler, that is to say a perfect starting point for precision measurement.

During the alignment procedure both detector and spindle are rotated, thus self calibrating the system. This way you can determine how the centre line of the spindle is, relative to the tube's centre at the inlet end.

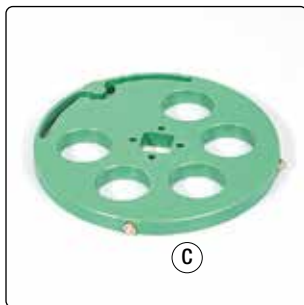
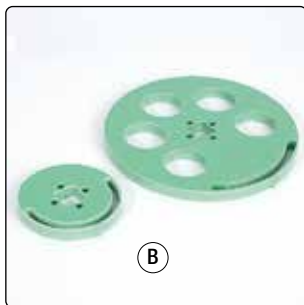
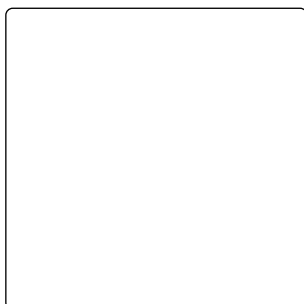
### Document your measurement results

The detector's measurement value is transferred to the display unit wirelessly, which means that you can measure more freely. The measurement system has programs that guide you step-by-step, using clear graphics on a large 5.7" colour screen. You can also produce full documentation for your measurement job, with direct generation of PDF reports, and database programs for PC for example.

### Complete system with all the measuring programs

Easy-Laser® E930 is a complete system in itself, with laser transmitter, detector and display unit. You can also add other parts from our extensive range to build a system that suits your specific needs and requirements, because all the measurement programs are included as standard. For example add shaft alignment equipment for other rotating machines, and lasers for flatness measurement.

- A. Detector with tube brackets mounted
- B. The brackets are manufactured on order to specified diameter
- C. Special brackets with metal points available on request.



### A complete system contains:

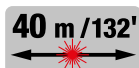
- 12-0418 1 Display unit E-series E51
- 12-0075 1 Laser transmitter D75
- 12-0759 1 Detector E9
- 12-0074 1 Cable 2 m
- 12-0108 1 Cable 5 m, extension
- 12-0187 1 Bracket for D75 with magnets
- 01-0777 (1) Set of brackets for detector (Single barrel)
- 01-2222 (1) Set of brackets for detector (Dual barrel)
- 12-0792 1 Set of extension rods for detector (6.3 m)
- 12-0810 1 Target for extruder
- 12-0495 1 Shoulder strap for Display unit
- 05-0685 1 Manual (Note: Refers to English manual)
- 03-0842 1 Measuring tape 5 m
- 03-0914 1 USB Memory stick with documentation
- 03-0822 1 USB Cable
- 03-1243 1 Battery charger (100–240 V AC)
- 03-0967 1 Hexagon wrench set
- 03-0878 1 Cleaning cloth for optics
- 12-0811 1 Carrying case

### Examples of accessories:

- 12-0767 1 Rod adapter with built in target
- 12-0022 1 Laser transmitter D22
- 12-0436 1 Wireless unit
- 12-0434 1 Measuring unit EM
- 12-0433 1 Measuring unit ES
- 12-0016 1 V-bracket with chain
- 12-0013 1 Magnet base
- 12-1011 1 Magnetic bracket
- 12-1012 1 Thin shaft bracket
- 12-1010 1 Sliding bracket
- 01-1165 1 Offset bracket
- 12-0125 1 Cardan bracket
- 12-0553 1 Bore bracket adapter plate
- 12-0314 1 Detector arms Linebore
- 12-0597 1 Splitter box
- 03-1004 1 Thermal printer

Note: always check number of items included for each Part No. before ordering.

(1)=Included depending on customer choice.



## Easy-Laser® E920 Geometric

Part No: 12-0771

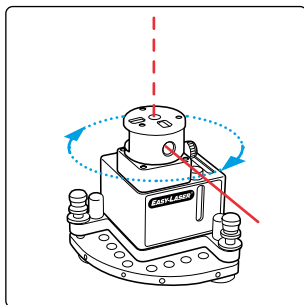
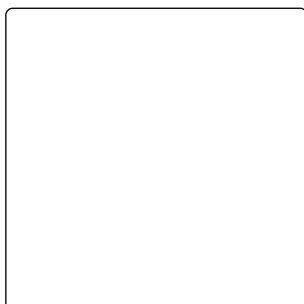
### Measurement system for all types of geometric measurement

This system can be used to carry out all the most common geometric measurements; straightness, flatness, squareness, plumb and level. Measurement is quick and precise. Displayed resolution is 0.001 mm [0.05 mils]. The laser transmitter is our well known big seller, the D22 with levelling table, strong magnetic feet, and a range of up to 40 m. The transmitter's laser beam can be compared to an absolutely straight and weightless ruler, that is to say a perfect starting point for precision measurement. The swivelling laser head gives a laser plane parallel to the measured object and can also angle the laser beam 90° to the sweep for squareness measurement.

The display unit has a large and clear 5.7" colour screen. The programs guide you step-by-step through the measuring process, which makes it easy even for inexperienced users. The system can provide full documentation, with direct generation of PDF reports, and database programs for PC for example. The detector transfers the measurement data to the display unit wirelessly, or by cable if required. The advantages of wireless are especially clear on mechanical constructions and objects where cables can snag or get in the way.

The most common method is to fix the laser transmitter to the measurement object using the mounting magnets, or mounting it on a tripod (accessory) to one side. A pin is also provided to secure the laser transmitter to a machine spindle or equivalent, to check straightness and spindle alignment for example.

Easy-Laser® E920 is a complete system in itself, with laser transmitter, detector and display unit. But it is also an excellent starting point for creating a measurement system that suits your specific needs and requirements, because all the measurement programs are included as standard! Add extra laser transmitters, measuring units and brackets as well as other accessories from the wide Easy-Laser® range. Now or in the future.



### A complete system contains:

- 12-0418 1 Display unit E51
- 12-0022 1 Laser transmitter D22 incl. tilt table
- 12-0752 1 Detector E7
- 12-0436 1 Wireless unit
- 12-0074 1 Cable 2 m
- 12-0108 1 Cable 5 m, extension
- 01-1333 1 Machine/magnet base pin for D22
- 12-0045 1 Magnet base with turnable head
- 12-0544 2 Targets for rough alignment
- 01-1165 1 Offset bracket
- 01-0043 6 Rods 60 mm
- 01-0873 6 Rods 120 mm
- 05-0685 1 Manual (Note: Refers to English manual)
- 03-0842 1 Measuring tape 5 m
- 03-0914 1 USB memory stick with documentation
- 03-0822 1 USB cable
- 03-1243 1 Battery charger (100–240 V AC)
- 03-0967 1 Hexagon wrench set
- 12-0495 1 Shoulder strap for Display unit
- 03-0878 1 Cleaning cloth for optics
- 12-0781 1 Carrying case

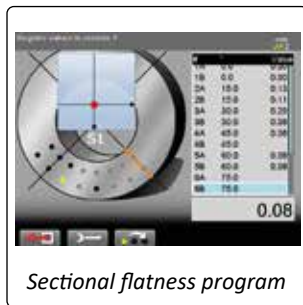
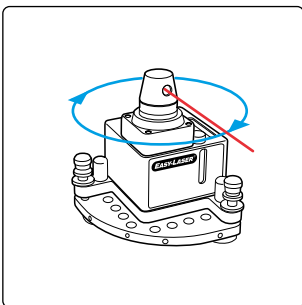
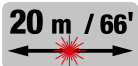
### Examples of accessories:

- 12-0759 1 Detector E9, 2-axis
- 12-1053 1 XT190 BTA
- 12-0618 1 Battery pack with wireless technology
- 12-0434 1 Measuring unit EM
- 12-0433 1 Measuring unit ES
- 12-0016 1 V-bracket with chain
- 01-1165 1 Offset bracket
- 12-0597 1 Splitter box
- 03-1004 1 Thermal printer
- 12-0455 1 Slide bracket Min. Ø120 mm
- 12-0543 1 Slide bracket Min. Ø200 mm
- 12-0510 1 Slide bracket Min. Ø300 mm
- 12-0269 1 Tripod
- 12-1136 1 Angular prism
- 01-2232 1 Tripod adaptor for Angular prism
- 03-1406 1 Safety strap Bahco 3875-LY2

Note: always check number of items included for each Part No. before ordering.

### Complete system:

Weight: 12.3 kg [27.1 lbs]  
 WxHxD: 550x450x210 mm [21.6x17.7x8.3"]



## Easy-Laser® E915 Flange Spin

Part No: 12-0526

### Measure flatness easily with spinning laser

This system is mainly for wind turbine tower producers who want to measure flatness of flanges. Similar applications can be e.g. slewing bearings. You can see the result as a true 3D image in the display unit directly after measuring. Then evaluate the result easily with different calculation settings, for example three point reference, best fit or all positive. This can also be done directly on site without having to stop to go to a PC with separate analysis programs, which was the case previously. This makes production much more efficient.

The system includes laser transmitter D23 Spin with power rotating head. This is how it works in brief: The laser beam from the transmitter rotates constantly and creates a reference plane over the entire measurement object. Measurements are performed quicker as you do not have to align the beam for each new measurement position. You place the detector at the desired measurement points and register the reading by a push of a button. In principle, one person can perform the measurement themselves. It is then possible to generate a PDF report containing graphs and measurement data directly from the measurement system's display unit. All information about the measurement object is documented.

Includes the sectional measurement flatness program\*. A tower section with diameter over 4 meters represents a significant weight. This weight causes the flanges to deform when the sections are manufactured. With sectional measurement program the flatness is measured in four sections which are mathematically merged into a full circle, which solves this measurement problem. The program also makes it possible to perform the complete measurement on ground. No climbing on ladders or skylift is therefore required. With traditional methods the operator has to work on hazardous high levels, and often more men are needed.

\*The sectional measurement flatness program is patented in Sweden, Germany, China and USA.

### A complete system contains:

- 12-0418 1 Display unit E-series E51
- 12-0168 1 Laser transmitter D23 incl. tilt table
- 12-0509 1 Detector E5
- 12-0436 1 Wireless unit
- 12-0074 1 Cable 2 m
- 12-0108 1 Cable 5 m, extension
- 12-0321 1 Cable support
- 12-0544 3 Targets for rough alignment
- 12-0045 1 Magnet base with turnable head
- 01-0043 6 Rods 60 mm
- 01-0873 6 Rods 120 mm
- 12-0495 1 Shoulder strap for Display unit
- 05-0400 1 Manual (Note: Refers to English manual)
- 05-0545 1 Quick manual (Note: Refers to English manual)
- 03-0842 1 Measuring tape 5 m
- 03-0914 1 USB Memory stick with documentation
- 03-0822 1 USB Cable
- 03-1243 1 Battery charger (100–240 V AC)
- 03-0967 1 Hexagon wrench set
- 03-0878 1 Cleaning cloth for optics
- 12-0781 1 Carrying case

### Examples of accessories:

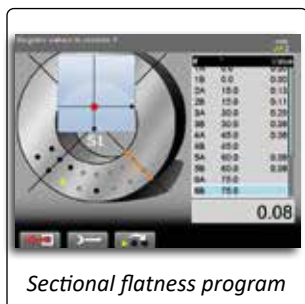
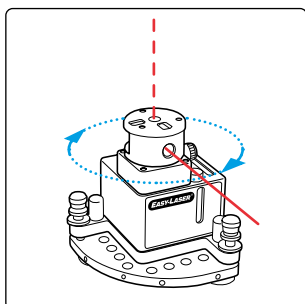
- 12-0618 1 Battery pack with wireless unit
- 12-0434 1 Measuring unit EM
- 12-0433 1 Measuring unit ES
- 12-0016 1 V-bracket with chain
- 01-1165 1 Offset bracket
- 12-0597 1 Splitter box
- 03-1004 1 Thermal printer
- 12-0455 1 Slide bracket Min. Ø120 mm
- 12-0543 1 Slide bracket Min. Ø200 mm
- 12-0510 1 Slide bracket Min. Ø300 mm
- 03-1406 1 Safety strap Bahco 3875-LY2

Note: always check number of items included for each Part No. before ordering.

### Complete system:

Weight: 12.1 kg [26.7 lbs]  
 WxHxD: 550x450x210 mm [21.6x17.7x8.3"]





## Easy-Laser® E910 Flange

Part No: 12-0525

### Measurement system for flange measurements

This system is mainly for wind turbine tower producers who want to measure flatness and parallelism of flanges. Similar applications can be e.g. slewing bearings. You can see the result as a true 3D image in the display unit directly after measuring. Then evaluate the result easily with different calculation settings, for example three point reference, best fit or all positive. This can also be done directly on site without having to stop to go to a PC with separate analysis programs, which was the case previously. This makes production much more efficient.

The system includes laser transmitter D22 with manual rotatable head, and with the option of deflecting the laser beam 90°. With a few more accessories the system can also be used to check the parallelism of the two tower flanges. In the measurement system's display unit it is possible to generate a PDF report containing graphs and measurement data. All information about the measurement object is documented.

Includes the sectional measurement flatness program\*. A tower section with diameter over 4 meters represents a significant weight. This weight causes the flanges to deform when the sections are manufactured. With sectional measurement program the flatness is measured in four sections which are mathematically merged into a full circle, which solves this measurement problem. The program also makes it possible to perform the complete measurement on ground. No climbing on ladders or skylift is therefore required. With traditional methods the operator has to work on hazardous high levels, and often more men are needed.

*\*The sectional measurement flatness program is patented in Sweden, Germany, China and USA.*

### A complete system contains:

- 12-0418 1 Display unit E-series E51
- 12-0022 1 Laser transmitter D22 incl. tilt table
- 12-0752 1 Detector E7
- 12-0436 1 Wireless unit
- 12-0074 1 Cable 2 m
- 12-0108 1 Cable 5 m, extension
- 12-0321 1 Cable support
- 12-0544 3 Targets for rough alignment
- 12-0045 1 Magnet base with turnable head
- 01-0043 6 Rods 60 mm
- 01-0873 6 Rods 120 mm
- 12-0495 1 Shoulder strap for Display unit
- 05-0400 1 Manual (Note: Refers to English manual)
- 05-0545 1 Quick manual (Note: Refers to English manual)
- 03-0842 1 Measuring tape 5 m
- 03-0914 1 USB Memory stick with documentation
- 03-0822 1 USB Cable
- 03-1243 1 Battery charger (100–240 V AC)
- 03-0967 1 Hexagon wrench set
- 03-0878 1 Cleaning cloth for optics
- 12-0781 1 Carrying case

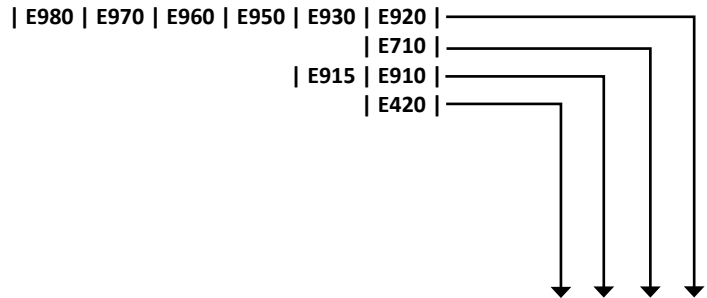
### Examples of accessories:

- 12-0618 1 Battery pack with wireless unit
- 12-0434 1 Measuring unit EM
- 12-0433 1 Measuring unit ES
- 12-0016 1 V-bracket with chain
- 01-1165 1 Offset bracket
- 12-0597 1 Splitter box
- 03-1004 1 Thermal printer
- 12-0455 1 Slide bracket Min. Ø120 mm
- 12-0543 1 Slide bracket Min. Ø200 mm
- 12-0510 1 Slide bracket Min. Ø300 mm
- 12-0269 1 Tripod
- 12-1136 1 Angular prism
- 01-2232 1 Tripod adaptor for Angular prism
- 03-1406 1 Safety strap Bahco 3875-LY2

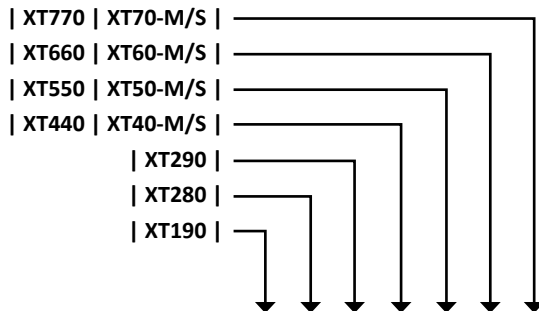
Note: always check number of items included for each Part No. before ordering.

### Complete system:

Weight: 12.1 kg [26.7 lbs]  
 WxHxD: 550x450x210 mm [21.6x17.7x8.3"]










	HORIZONTAL 9-12-3	●		●	●
	SOFT FOOT	●		●	●
	EASYTURN™	●		●	●
	MULTIPOINT HORIZONTAL SHAFT			●	●
	VERTICAL/FLANGE MOUNTED	●		●	●
	CARDAN			●	●
	MACHINE TRAIN			●	●
	OFFSET AND ANGLE			●	●
	VALUES (Digital Dial Indicator) <small>V 0.00 H 0.00</small>	●	●	●	●
	BELT TRANSMISSION ALIGNMENT			●	●
	STRAIGHTNESS 1-point			●	●
	STRAIGHTNESS 2-point (Centre of Circle)				●
	STRAIGHTNESS 4-point				●
	STRAIGHTNESS Multipoint				●
	STRAIGHTNESS 3-point (Half circle)				●
	ROUNDNESS/OVALITY MEASUREMENT				●
	SPINDLE DIRECTION				●
	SQUARENESS				●
	FLATNESS			●	●
	TWIST			●	●
	FLANGE FLATNESS		●	●	●
	FLANGE PARALLELISM		●		●
	PARALLELISM			●	●



	<b>HORIZONTAL 9-12-3</b>					●	●	●	●
	<b>MACHINE TRAIN (UNLIMITED)</b>						●		●
	<b>MACHINE TRAIN (3 MACHINES/2 COUPLINGS)</b>						●	●	●
	<b>SOFT FOOT</b>					●	●	●	●
	<b>EASYTURN™</b>					●	●	●	●
	<b>MULTIPOINT HORIZONTAL SHAFT</b>						●	●	●
	<b>CONTINUOUS SWEEP HORIZONTAL SHAFT</b>						●	●	●
	<b>UNCOUPLED SWEEP</b>						●	●	●
	<b>WIDE LIVE</b> Allows for live adjustment at larger angles, vertically and horizontally separately.					●	●	●	●
	<b>360 LIVE</b> Allows for live adjustment at any position, in both directions simultaneously.								●
	<b>ADJUSTMENT GUIDE</b> Simulate effects of shimming to decide optimum adjustment. For programs Horizontal and Machine train.						●		●
	<b>VERTICAL/FLANGE MOUNTED</b>					●	●	●	●
	<b>CARDAN/OFFSET MOUNTED</b> (NOTE: Requires the Cardan bracket kit.)						●	●	●
	<b>VALUES (Digital Dial Indicator)</b>					●	●	●	●
	<b>LEVEL</b> Part of Values program. (NOTE: The level function requires XT290 Level.)			●		●	●	●	●
	<b>TWIST</b> Check base twist and flatness with the M and S measuring units.						●	●	●
	<b>BASIC FLATNESS</b> Measure two rows of points, 2 to 8 at each. To be used with separate laser transmitter like the D22.								●
	<b>EASYTREND™</b> Monitor and record machine movement over time.								●
	<b>BELT TRANSMISSION ALIGNMENT</b> (NOTE: The Belt alignment program requires XT190 BTA.)	●					●	●	●
	<b>VIBRATION MEASUREMENT</b> (NOTE: The Vibration measurement program requires XT280 VIB.)		●				●	●	●

Continued on next page >>

Apple, the Apple logo, iPhone, and iPod touch are trademarks of Apple Inc., registered in the U.S. and other countries. App Store is a service mark of Apple Inc. Android, Google Play, and the Google Play logo are trademarks of Google Inc.


	XT190	XT280	XT290	XT440	XT550	XT660	XT770
 <b>ONE FREE APP</b> All measurement programs in one app. Available functionality based on which measuring unit is connected.	●	●	●	●	●	●	●
 <b>SHARE FILES</b> Share via email directly from your display unit.	●	●	●	●	●	●	●
 <b>BUILT-IN HELP</b> Searchable Users Manual which opens the relevant chapter depending where in the process you are.	●	●	●	●	●	●	●
 <b>MULTI-LINGUAL</b> The XT Alignment App is available in multiple languages: en / de / sv / es / pt / ru / ja / ko / zh / it / fr / pl	●	●	●	●	●	●	●
 <b>DOT LASER TECHNOLOGY – 2 AXIS</b>							●
 <b>DOT LASER TECHNOLOGY – 1 AXIS</b>					●	●	
 <b>LINE LASER TECHNOLOGY</b>	●			●			

Apple, the Apple logo, iPhone, and iPod touch are trademarks of Apple Inc., registered in the U.S. and other countries. App Store is a service mark of Apple Inc. Android, Google Play, and the Google Play logo are trademarks of Google Inc.

## Easy-Laser® Precision Level App for E290



| E290 |

 <b>PRECISION LEVEL</b> Use your iPhone, iPod or iPad as display! With our free app Precision Level for the E290 you can follow the alignment from the place where you adjust the machine, and document your measurement. <i>Note! Does not work with XT290.</i>	●
---	---

## EasyLink™ 3.0 PC database program

### EASYLINK™ PROGRAM

With EasyLink™ 3.0 you can save and organise all your measurements in one place, produce reports with both data and images and export to your maintenance systems. You can customise what your Excel reports should look like and what data should be visible and where it should be positioned. The program has a clear folder structure, where you drag and drop files from the display unit to the database, or vice versa if you wish to prepare a measurement before going out into the field to take measurements. Create your own structure with folders for manufacturer, department or machine type for example. The database can also be located on a common server and shared with other users. For extra safety you can use EasyLink™ to make backups of what you have saved in the E-series' display unit. You can also simulate adjustments and test corrective actions in the program without any risk of losing the original data. The program is supplied with all our measurement systems, but can also be downloaded by anyone for free.



**System requirements:** Windows® XP, Vista, 7, 8, 10. For the export function, Excel 2003 or newer must also be installed on the computer. EasyLink™ 3.0 functions with both the D and E series in Easy-Laser®. Not with the XT series.

**Export formats:** Excel, XML.

Download the program free of charge from [www.easylaser.com](http://www.easylaser.com).





# PARTS

| XT |



### XT11 – Display unit for Generation XT

**Part No:** 12-0961

**Description:** Wireless display unit for Generation XT. Rugged design, shock proof, IP66 and IP67. Glove enabled touch screen. Water and dust proof connectors: USB A, USB B, HDMI, Charger.

**Options:** IR Camera (Part No. 12-0968), Camera removed for security reasons (Part No. 12-0985).

**Note:** Options cannot be retrofitted. Not approved for Ex/ATEX areas.



| XT |



### ECOM Tab-Ex® 02 – Display unit for Generation XT Intrinsically safe, EX/ATEX approved

**Part No:** 12-1196

**Description:** Wireless display unit for Generation XT, especially the XT50-M/S Ex/ATEX approved shaft alignment measuring units. Rugged design, with glove enabled touch screen.

**Note:** For Zone 1/21 & DIV1, not mining. For more detailed information, please see the ecom web site: <https://www.ecom-ex.com>

| E |



### Display unit E-series: E51

**Part No:** 12-0418

**Description:** Available in different measurement program configurations. Which programs are available depends on in which system the display unit is included. Connectors: USB A, USB B, Easy-Laser® equipment, Charger.

**Note:** Dust and splash guard for connectors open on picture to the right. The look of the display unit keyboard can vary depending on market.

| E |

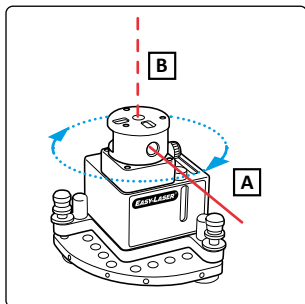


### Display unit E-series: E53

**Part No:** 12-0748

**Description:** All wireless display unit for shaft alignment system. The unit can temporarily power measuring units ELS20/ELM20 via the USB connector as backup. Connectors: USB A, charger.

**Note:** Dust and splash guard for connectors removed on upper right picture. No connector for "red cable" equipment.

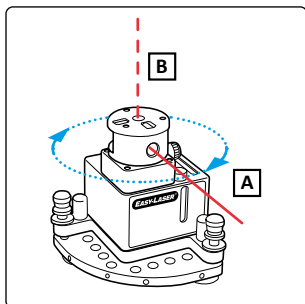


### Laser transmitter D26 Swivel

**Part No:** 12-1064

**Description:** Laser transmitter D26 can be used to measure flatness, straightness, squareness and parallelism. Mainly for use in machine tool applications. The laser beam can sweep 360° with a measurement distance of up to 30 metres [100'] in radius. For specifications, please see *Technical specifications* at the end of this catalogue.

**Note:** Option A. The laser beam is used for a 360° sweep.  
Option B. The laser beam is angled at 90° to the sweep.

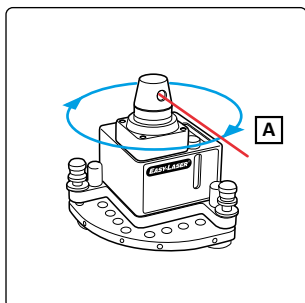


### Laser transmitter D22 Swivel

**Part No:** 12-0022

**Description:** Laser transmitter D22 can be used to measure flatness, straightness, squareness and parallelism. The laser beam can sweep 360° with a measurement distance of up to 40 metres [130'] in radius. For specifications, please see *Technical specifications* at the end of this catalogue.

**Note:** Option A. The laser beam is used for a 360° sweep.  
Option B. The laser beam is angled at 90° to the sweep.



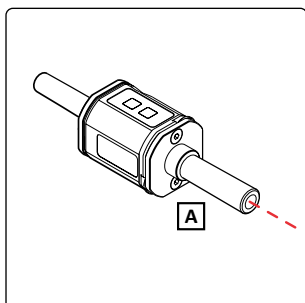
### Laser transmitter D23 Spin

**Part No:** 12-0168

**Description:** Laser transmitter D23 has a motor driven, rotating head that gives a 360° laser plane. Because the laser beam sweeps across the surface you do not need to align the beam for every detector position. Tilt table included.

Measurement distance up to 20 metres [65'] in radius.

**Note:** A. The laser beam is used for a 360° sweep.



### Laser transmitter D146 Spindle

**Part No:** 12-0146

**Description:** For measuring spindle direction and straightness. Can be used in a rotating spindle (max. 2000 rpm). Measurement distance 20 metres [65']. Mounting pin Ø20 mm [0.79"].

**Note:** A. An extra mounting pin (Part No. 12-0568) can be fitted at the laser aperture side (A), making it possible to align, for example, bar feeders. (Be aware that the standard mounting pin displayed on the left image cannot be detached from the transmitter.)



### Laser transmitter D75

**Part No:** 12-0075

**Description:** For measuring straightness and spindle direction. M6 threads on ends and sides offer alternative mounting options. Measurement distance 40 m [130'].

**Note:** With tilting screws for laser beam adjustment.



### Laser transmitter D25

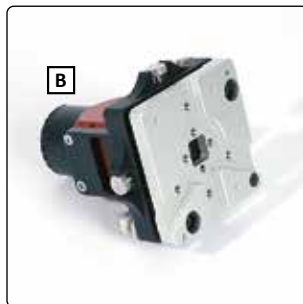
**Part No:** 12-0594

**Description:** For measuring straightness primarily in turbine applications. Measurement distance 40 m [130']. The laser beam can sweep 360°, and can be angled 90° to the sweep.

**Note:** Battery adaptor included. Brackets, arms and/or offset hub may also be needed, but are not included. See also 12-0706.

Option A. The laser beam is used for a 360° sweep.

Option B. The laser beam is angled at 90° to the sweep.



## Laser transmitter D25 with offset hub

**Part No:** 12-0706

**Description:** For measuring straightness primarily in turbine applications. Measurement distance 40 m [130']. The laser beam can be angled 90° to the sweep, within 0.01 mm/m [0.5 mils/INCH].

**Note:** Battery adaptor (not pictured) and offset hub included. Brackets/arms may also be needed, but are not included. See also 12-0594.  
A. Transmitter mounted to point laser through hub.  
B. Transmitter mounted to point laser in opposite direction.



## Laser transmitter E30 Long Range

**Part No:** 12-0823

**Description:** For measuring straightness on long distances. Measurement distance 100 m [328'] with a 20 mm PSD, >200 m [656'] with 30 mm PSD. M6 threads on front and bottom offer alternative mounting options. Built-in rechargeable battery and Oled display.

**Note:** Coordinate table or tilt table needed for accurate functionality. No charger or bracketing included (compare with Part No. 12-0858).



## Laser transmitter E30 Long Range, with tilt table

**Part No:** 12-0858

**Description:** For measuring straightness on long distances. Measurement distance 100 m [328'] with a 20 mm PSD, >200 m [656'] with 30 mm PSD. M6 threads on front and bottom offer alternative mounting options. Built-in rechargeable battery and Oled display.

**Note:** With tilt table (12-0864), which can be used with magnets or mounted on tripod, Battery charger 100–240 V AC (03-1243), USB memory stick with documentation, and Carrying case (12-0872).



## Laser transmitter for sheave alignment systems

**Part No:** 12-0309

**Description:** Laser transmitter producing a laser line parallel to the object it is mounted to.

**Note:** Only transmitter as pictured, no targets included. (Complete system, see Part No. 12-0415 and 12-1053.)



| E |



### Detector E9, 2-axis PSD

**Part No:** 12-0759

**Description:** Detector diameter 45 mm [1.77"]. 2 axis PSD, 20x20 mm [0.79"x0.79"]. Built-in 360° electronic inclinometer. Built-in wireless communication and rechargeable battery. There is also a connector on the back side for standard "red cable" (charging and data transfer). Mounting threads on both ends, for tube adapters (01-0777) or other suitable brackets (e.g. 12-0767 and 12-0553).

**Note:** Make sure you have a suitable bracket!

| E |



### Detector E7H, HyperPSD™

**Part No:** 12-0824

**Description:** Detector for the E-series. 2 axis PSD, 20x20 mm [0.79"x0.79"]. With HyperPSD™ technology, which allows for a displayed resolution of 0.0001 mm [0.000005"/0.005 mils]. Built-in 360° electronic inclinometer. Two connectors for making it possible to connect two detectors or more in series. Normally mounted on rods, but has many additional mounting possibilities thanks to threads on two sides.

**Note:** Optimised for fixed laser/does not detect a spinning laser.

| E |



### Detector E7

**Part No:** 12-0752

**Description:** Detector for the E-series. 2 axis PSD, 20x20 mm [0.79"x0.79"]. Built-in 360° electronic inclinometer. Two connectors for making it possible to connect two detectors or more in series. Normally mounted on rods, but has many additional mounting possibilities thanks to threads on two sides.

**Note:** Optimised for fixed point laser/does not detect a spinning laser.

| E |



### Detector E5

**Part No:** 12-0509

**Description:** Detector for the E-series. 2 axis PSD, 20x20 mm [0.79"x0.79"]. Built-in 360° electronic inclinometer. Two connectors for making it possible to connect two detectors or more in series. Normally mounted on rods, but has many additional mounting possibilities thanks to threads on two sides.

**Note:** With Dual Detection Technology, making it possible to read both fixed point laser and spinning laser, but is optimised for spinning laser.

| E |



### Detector E3

**Part No:** 12-0799

**Description:** Detector for the E-series. 2 axis PSD, 30x30 mm [1.18"x1.18"]. Built-in wireless communication. Battery status indicator. Built-in 360° electronic inclinometer. One connector on top side. Normally mounted on rods, but also has additional mounting threads on back side.

**Note:** Target/Dust cover for PSD included. Does not detect a spinning laser.

| E |



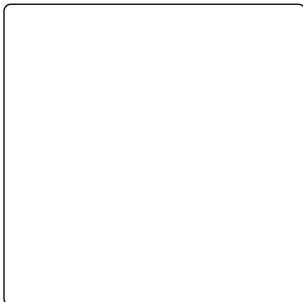
### Digital Precision Level E290

**Part No:** 12-0846

**Description:** Digital precision level. Built-in OLED display and rechargeable battery.

**Note:** For complete kit, see Part No. 12-0857 below.

| E |



**Digital Precision Level E290, complete kit**

**Part No:** 12-0857

**Description:** Digital precision level (12-0846), complete kit with Battery charger 100–240 V AC (03-1243), safety strap (12-0915) and USB memory stick with documentation (03-0914).

**Note:** Delivered in plastic case (12-0873).

| E | XT |



**XT & E-series wireless Detector for belt alignment**

**Part No:** 12-1054

**Description:** Detector that reads off the sheaves position in two directions (horizontal+vertical) at the same time. With built-in display showing offset and angular values. Note: Laser transmitter also needed.

**Note:** Also for wireless connection to separate display units E51 and E52 which have the BTA digital program. Or connect it to the XT Alignment App on your iOS/Android display, or Easy-Laser XT11.

A. Super magnets x 4, for attachment to sheave side.

| E |



**Measuring unit EMH, dot laser, PSD 20x20 mm**

**Part No:** 12-0790

**Description:** Laser diode and PSD detector in one housing. Built-in electronic 360° inclinometer. Mainly for shaft alignment. PSD 20x20 mm [0.79"x0.79"]. With HyperPSD™ technology, which allows for a displayed resolution of 0.0001 mm [0.000005"/0.005 mils].

**Note:** To be used in pair with S unit 12-0789. E-series measuring unit.

| E |



**Measuring unit ESH, dot laser, PSD 20x20 mm**

**Part No:** 12-0789

**Description:** Laser diode and PSD detector in one housing. Built-in electronic 360° inclinometer. Mainly for shaft alignment. PSD 20x20 mm [0.79"x0.79"]. With HyperPSD™ technology, which allows for a displayed resolution of 0.0001 mm [0.000005"/0.005 mils].

**Note:** To be used in pair with M unit 12-0790. E-series measuring unit.

| E |



**Measuring unit EM, dot laser, PSD 20x20 mm**

**Part No:** 12-0434

**Description:** Laser diode and PSD detector in one housing. Built-in electronic 360° inclinometer. Mainly for shaft alignment. PSD 20x20 mm [0.79x0.79"].

**Note:** To be used in pair with S unit 12-0433. E-series measuring unit.

| E |



**Measuring unit ES, dot laser, PSD 20x20 mm**

**Part No:** 12-0433

**Description:** Laser diode and PSD detector in one housing. Built-in electronic 360° inclinometer. Mainly for shaft alignment. PSD 20x20 mm [0.79x0.79"].

**Note:** To be used in pair with M unit 12-0434. E-series measuring unit.

| E |



**Measuring unit ELM20, line laser, PSD 20 mm**

**Part No:** 12-0746

**Description:** Laser diode and PSD detector in one housing. Built-in wireless communication. Battery status indicator. Built-in electronic 360° inclinometer. For shaft alignment. 1 axis PSD 20 mm [0.79"].

**Note:** To be used in pair with S unit 12-0747. E-series measuring unit.

| E |



**Measuring unit ELS20, line laser, PSD 20 mm**

**Part No:** 12-0747

**Description:** Laser diode and PSD detector in one housing. Built-in wireless communication. Battery status indicator. Built-in electronic 360° inclinometer. For shaft alignment. 1 axis PSD 20 mm [0.79"].

**Note:** To be used in pair with M unit 12-0746. E-series measuring unit.



| XT |



**Measuring unit XT40-M, line laser, PSD 30 mm**

**Part No:** 12-0943

**Description:** Laser diode and PSD detector in one housing. Built-in wireless communication. OLED display shows battery status and angle of the unit on shaft. Built-in electronic 360° inclinometer. For shaft alignment. 1 axis PSD 30 mm [1.18"].

**Note:** To be used in pair with S unit 12-0944. XT-series measuring unit.

| XT |



**Measuring unit XT40-S, line laser, PSD 30 mm**

**Part No:** 12-0944

**Description:** Laser diode and PSD detector in one housing. Built-in wireless communication. OLED display shows battery status and angle of the unit on shaft. Built-in electronic 360° inclinometer. For shaft alignment. 1 axis PSD 30 mm [1.18"].

**Note:** To be used in pair with M unit 12-0943. XT-series measuring unit.

| XT |



**Measuring unit XT60-M, dot laser, PSD 20x20 mm**

**Part No:** 12-1028

**Description:** Laser diode and PSD detector in one housing. Built-in wireless communication. OLED display shows battery status and angle of the unit on shaft. Built-in electronic 360° inclinometer. For shaft alignment. 1 axis PSD 20x20 mm [0.79x0.79"].

**Note:** To be used in pair with S unit 12-1029. XT-series measuring unit.

| XT |



**Measuring unit XT60-S, dot laser, PSD 20x20 mm**

**Part No:** 12-1029

**Description:** Laser diode and PSD detector in one housing. Built-in wireless communication. OLED display shows battery status and angle of the unit on shaft. Built-in electronic 360° inclinometer. For shaft alignment. 1 axis PSD 20x20 mm [0.79x0.79"].

**Note:** To be used in pair with M unit 12-1028. XT-series measuring unit.

| XT |



**Measuring unit XT50-M, EX/ATEX, dot laser, PSD 20x20 mm**

**Part No:** 12-1026

**Description:** Laser diode and PSD detector in one housing. Built-in wireless communication. OLED display shows battery status and angle of the unit on shaft. Built-in electronic 360° inclinometer. For shaft alignment. 1 axis PSD 20x20 mm [0.79x0.79"].

**Note:** Intrinsically safe design. To be used in pair with S unit 12-1027. XT-series measuring unit.

| XT |



**Measuring unit XT50-S, Ex/ATEX, dot laser, PSD 20x20 mm**

**Part No:** 12-1027

**Description:** Laser diode and PSD detector in one housing. Built-in wireless communication. OLED display shows battery status and angle of the unit on shaft. Built-in electronic 360° inclinometer. For shaft alignment. 1 axis PSD 20x20 mm [0.79x0.79"].

**Note:** Intrinsically safe design. To be used in pair with M unit 12-1026. XT-series measuring unit.



| XT |



### Measuring unit XT70-M, dot laser, PSD 20x20 mm, 2-axis

**Part No:** 12-1045

**Description:** Laser diode and PSD detector in one housing. Built-in wireless communication. OLED display shows battery status and angle of the unit on shaft. Built-in electronic 360° inclinometer. For shaft alignment. 2 axis PSD 20x20 mm [0.79x0.79"].

**Note:** To be used in pair with S unit 12-1046, or as a separate detector for GEO-programs. XT-series measuring unit.

| XT |



### Measuring unit XT70-S, dot laser, PSD 20x20 mm, 2-axis

**Part No:** 12-1046

**Description:** Laser diode and PSD detector in one housing. Built-in wireless communication. OLED display shows battery status and angle of the unit on shaft. Built-in electronic 360° inclinometer. For shaft alignment. 2 axis PSD 20x20 mm [0.79x0.79"].

**Note:** To be used in pair with M unit 12-1045. XT-series measuring unit.

| D | E | XT\* |



### Magnet base

**Part No:** 12-0013

**Description:** Versatile magnet base with On/Off function and many optional rod mounting possibilities. Holding power 800N.

**Note:** Three sides are magnetic. \*For use with XT-series offset bracket 12-1008 is also needed.

| D | E | XT\* |



### Magnet base with turnable head

**Part No:** 12-0045

**Description:** Versatile magnet base with On/Off function and 360° turnable head with two rod mounting possibilities.

**Note:** \*For use with XT-series offset bracket 12-1008 is also needed.

| D | E | XT |



### Magnet base with turnable head

**Part No:** 12-1133

**Description:** Versatile magnet base with On/Off function and 360° turnable head with two rod mounting possibilities, for both C-C40 mm and C-C56 mm. It has a screw and washer with which you can lock the top rotation, and therefore still use it for jobs like shaft alignment.

**Note:** -

| D | E |



### Tilt table with magnet base

**Part No:** 12-0742

**Description:** Tilt table for use with an ES-unit as transmitter, e.g. with the Twist measurement program. This tilt table simplifies and makes the rough alignment of the laser beam quicker. Use the EM-unit as detector, mounted on a regular magnet base.

**Note:** Magnet base and rods included as pictured.

| D | E |



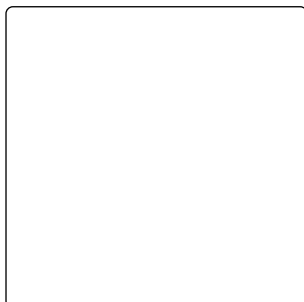
### Rotating detector bracket for rods

**Part No:** 12-0169

**Description:** Allows for 360° swivel.

**Note:** -

| D | E |



### Small magnet base with turnable head

**Part No:** 12-0696

**Description:** With On/Off function and 360° turnable head.

**Note:** Includes 2 rods 60 mm [2.36"].

| D | E | XT |



### Small magnet base

**Part No:** 12-1092

**Description:** To be used when a low and small magnet base is needed. Height 35 mm [1.38"], magnet base width x length appr. 35x30 mm [1.38x1.18"].

**Note:** Can be used with D, E and XT series units.

| D | E |



### Magnet base with linear digital scale

**Part No:** 12-0230

**Description:** -

**Note:** The length of the linear guide can be adapted. Detector not included.

| E |



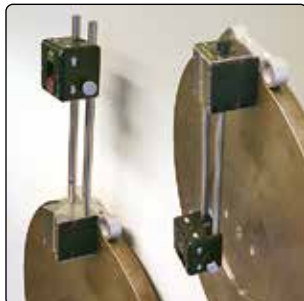
### Height adjustment bracket for detector

**Part No:** 12-0937

**Description:** For fine adjustment of detector on rods.

**Note:** -

| D | E | XT |



### Radial support for magnet base

**Part No:** 12-0508

**Description:** Can be used for supporting the magnet base in many different ways. Makes it easier to position the detector correctly. Especially useful on flywheels.

**Note:** -

| D550 |



### Magnet base with adapter for D550

**Part No:** 12-0579

**Description:** For e.g. straightness measurement with the D550 measuring units.

**Note:** Magnet base, adapter, screws and two rods 140 mm included.

| D | E |



### Pointing bracket on magnet base

**Part No:** 12-0583

**Description:** For wind tower flanges. Makes it possible to measure near the edge of a surface.

**Note:** Probe does not touch surface. Rods and detector not included.

| D | E | XT |



### Magnetic bracket

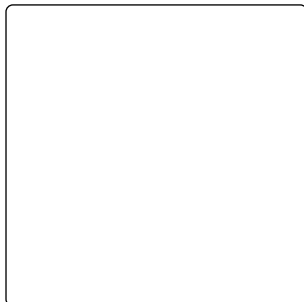
**Part No:** 12-1147

**Description:** For axial mounting on flanges or shafts. With M6 screws working as radial supports, and four super magnets.

**Note1:** For rod C-C 40 and 56 mm.

**Note2:** Older design of bracket on rightmost picture.

| D | E | XT |



### Magnetic brackets and rods, kit

**Part No:** 12-1017

**Description:** 2 magnetic brackets and 4pcs rods 120 mm [4.72"] in small case.

**Note:** -

| D | E |



### V-bracket with chain

**Part No:** 12-0016

**Description:** For mounting on shaft or coupling. The V-bracket fits shafts with diameters 20–450 mm [0.8–17.7"]. The standard chain included can be used on shaft diameters up to 150 mm [6"]. Bracket width 18 mm [0.7"].

**Note:** Extension chains available for shafts larger than diameter 150 mm [6"]. Does not fit the XT series.

| XT |



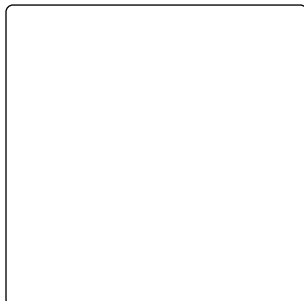
### V-bracket with chain and rods

**Part No:** 12-0963

**Description:** For mounting on shaft or coupling. The V-bracket fits shafts with diameters 20–450 mm [0.8–17.7"]. The standard chain included can be used on shaft diameters up to 150 mm [6"]. Chain is pre-mounted. Bracket width 18 mm [0.7"].

**Note:** Only for XT series. 2 pcs rods 120 mm [4.72"] included. Extension chains available [Part No. 12-1060] for shafts larger than diameter 150 mm [6"].

| XT |



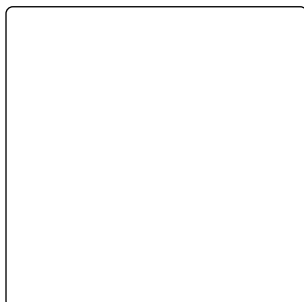
### V-bracket with stainless steel chain and rods

**Part No:** 12-1040

**Description:** For mounting on shaft or coupling. The V-bracket fits shafts with diameters 20–450 mm [0.8–17.7"]. The standard chain included can be used on shaft diameters up to 150 mm [6"]. Chain is pre-mounted. Bracket width 18 mm [0.7"].

**Note:** Only for XT series. 2 pcs rods 120 mm [4.72"] included. Extension chains available [Part No. 12-1038] for shafts larger than diameter 150 mm [6"].

| D | E | XT |



### Standard chains

**Part No:** 12-0625

**Description:** Standard chains for shaft alignment brackets.

**Note:** 2 pcs. Includes plastic box.



| D | E |

**Extension chain, set****Part No:** 12-0128**Description:** For standard chains. For shaft diameters 150–450 mm [5.9–17.7"].**Note:** 2 pcs. included, with plastic box. This one fits best in the system cases for E420 and D-series.

| E | XT |

**Extension chain, set****Part No:** 12-1060**Description:** For standard chains. For shaft diameters 150–450 mm [5.9–17.7"].**Note:** 2 pcs. included, with plastic box. This one fits best in XT and E system cases, except E420.

| XT |

**Extension chain stainless steel, set****Part No:** 12-1038**Description:** For extension of stainless steel chains. For shaft diameters 150–450 mm [5.9–17.7"].**Note:** 2 pcs. included, with plastic box.

| D | E | XT |

**Thin chain bracket****Part No:** 12-1012**Description:** For use for example when the space between coupling and machine is limited. Width: 12 mm [0.5"]. For shaft diameters 20–450 mm [0.8–17.7"].**Note:** Includes thin chain and tightening tool. Photos show old threadings, but are otherwise correct.

| D550 |

**Shaft bracket with chain, stainless steel****Part No:** 12-0337**Description:** Bracket mainly for use with the D550 system which has a rod C–C of 70 mm. Pre-mounted chain and rods. For shaft diameters 20–150 mm [0.8–5.9"].**Note:** -

| D550 |

**Extension chain, stainless steel****Part No:** 12-0363**Description:** For use together with 12-0337. For shaft diameters 150–320 mm [5.9–12.6"]. Two extension chains: –500 mm [–19.6"]**Note:** 1 pc. included. Does not fit with standard chains.

| D | E |

**Offset bracket****Part No:** 01-1165**Description:** Allows axial displacement between measuring units to be able to rotate past projecting machine parts. For both E and D series.**Note:** 2 screws M6x16 also needed (Part No. 03-0045). V-bracket and rods not included.

| D | E | XT |



### Offset bracket

**Part No:** 12-1008

**Description:** Allows axial displacement between measuring units to be able to rotate past projecting machine parts. Also works as a converter between rod C–C 40 mm (D and E series) and C–C 56 mm (XT series) so older brackets can be used.

**Note:** 2 screws M6x16 included.

| XT | E |



### DM Bracket, complete set

**Part No:** 12-1130

**Description:** For measuring dynamic movements. Includes 2 pcs DM brackets, 4 pcs mounting plates, glue Loctite 4070, 4 pcs screw M6x20, hexagon wrench 5 mm. Delivered in plastic case.

**Note:** -

| XT | E |



### DM Bracket

**Part No:** 12-1125

**Description:** For measuring dynamic movements. For complete set, please see Part No. 12-1130 instead.

**Note:** Measuring unit not included.

| XT | E |



### DM Bracket extension

**Part No:** 12-1129

**Description:** Extension for bracket 12-1125. For complete set, please see Part No. 12-1130 instead.

**Note:** Parts included as pictured on leftmost picture.

| D | E | XT |



### Sliding bracket

**Part No:** 12-1010

**Description:** For shaft alignment. The spherical feet can be placed in two different positions for adaption to small or large shaft diameters. Min./Max. diameters 90–600 mm [3.5–23.6"].

Used when the shafts cannot be rotated. Mounted with standard chains (not included).

**Note:** Photos show old threadings, but are otherwise correct.

| D | E |



### Sliding bracket with magnets

**Part No:** 12-0303

**Description:** The spherical feet can be placed in two different positions for adaption to small or large shaft diameters. With attachment magnets. Can also be mounted with standard chains (not included).

**Note:** -

| D | E |



### Sliding bracket with magnets and probe

**Part No:** 12-0138

**Description:** For plumb measurement of e.g. generator shafts. The spherical feet can be placed in two different positions for adaption to small or large shaft diameters. With attachment magnets. Can also be mounted with standard chains (not included).

**Note:** -

| D | E |



### Sliding bracket with turnable head

**Part No:** 12-0137

**Description:** For roll parallelism measurement. The spherical feet can be placed in two different positions for adaption to small or large roll diameters. With attachment magnets. Can also be mounted with standard chains (not included).

**Note:** -

| D |



### Cardan bracket set

**Part No:** 12-0125

**Description:** For alignment of cardan/offset mounted machines. Offset range 0–900 mm.

**Note:** Delivered in plastic case. For D-series.

| E |



### Cardan bracket set

**Part No:** 12-0615

**Description:** For alignment of cardan/offset mounted machines. Offset range 0–900 mm.

**Note:** Delivered in plastic case. For E-series.

| E | XT |



### Cardan bracket set

**Part No:** 12-1151

**Description:** For alignment of cardan/offset mounted machines. Offset range 0–900 mm.

**Note:** Delivered in plastic carrying case. For XT- and E-series. Please see rightmost picture for example of attachment for E or XT unit.

Weight: 8 kg [17.6 lbs], WxHxD: 500x380x140 [19.7x15.0x5.5"]

| D | E | XT |



### Rod, 30 mm [1.18"]

**Part No:** 01-0938

**Description:** Stainless steel. Diameter 10 mm. Extendable.

**Note:** 1 pcs.

| D | E | XT |



### Rods, 60 mm [2.36"]

**Part No:** 12-0059

**Description:** Stainless steel. Diameter 10 mm. Extendable. Plastic holder included.

**Note:** 4 pcs.

| D | E | XT |



### Rods, 75 mm [2.95"]

**Part No:** 12-1161

**Description:** Stainless steel. Diameter 10 mm. Extendable. Plastic holder included.

**Note:** 4 pcs.

| D | E | XT |



### Rods, 120 mm [4.72"]

**Part No:** 12-0987

**Description:** Stainless steel. Diameter 10 mm. Extendable. Plastic holder included.

**Note:** 4 pcs.



| D | E | XT |

**Rods, 120 mm [4.72"]****Part No:** 12-0324

**Description:** Stainless steel. Diameter 10 mm. Extendable. Plastic holder included.

**Note:** 8 pcs.

| D | E | XT |

**Rods, 240 mm [9.44"]****Part No:** 12-0060

**Description:** Stainless steel. Diameter 10 mm. Extendable. Plastic holder included.

**Note:** 4 pcs.

| D | E |

**Tube adapters for detector E9****Part No:** 01-0777

**Description:** Adapters mainly for mounting of detector when used for extruder measurements. For use in single barrels.

**Note:** Manufactured on request to your specified diameter up to 250 mm [9.84"]. 2 pcs included. Includes items as pictured leftmost. Can also fit on detector D157 (discontinued).

| D | E |

**Tube adapters for detector E9, for dual barrels****Part No:** 01-2222

**Description:** Adapters mainly for mounting of detector when used for extruder measurements. These adapters are designed specifically for use in dual barrels.

**Note:** Manufactured on request to your specified diameter up to 250 mm [9.84"]. 2 pcs included. Includes items as pictured leftmost. Can also fit on detector D157 (discontinued).

| D | E |

**Tube adapters with metal points****Part No:** -

**Description:** Adapters mainly for mounting of detector E9 and used for extruder measurements. With metal points of your choice and adapted for your application.

**Note:** Manufactured on request to your specified diameter. 2 pcs included. Can also fit on detector D157 (discontinued).

| E | XT |

**Extension Kit for precision level for large diameters****Part No:** 12-0901

**Description:** For using the E290 or XT290 Precision Level on diameters 55–800 mm [2.16–31.50"].

**Note:** Includes 2 legs, 4 magnets and mounting screws.

| E |


**Slide bracket Width 25 mm [0.99"]****Part No:** 12-0768

**Description:** Bracket for straightness measurement of bores with a width of down to 25 mm [0.99"]. For bores  $\varnothing 80$ – mm [3.15"–]. Magnetic feet holds the bracket safely also upside down. With positioning guide (extended on picture to the right). Guide can be removed.

**Note:** Designed to fit with rod adapter 12-0767 and detectors E8/E9. If used with other detectors and adapters, it is those which determines the minimum measurable diameter.



[E]



### Rod adapter with built in target

Part No: 12-0767

**Description:** For detector E8/E9. With slidable target. For mounting of the detector on regular rods with 40 mm centre-to-centre distance. Can be used on Slide bracket 12-0768 or any other suitable bracket.

**Note:** Detector not included.

[D | E]



### Slide bracket min. $\varnothing$ 100 mm [3.94"]

Part No: 12-0343

**Description:** For bore straightness measurement. Hard anodised surface. For bores  $\varnothing$ 100–200 mm [3.94"–7.88"].

**Note:** -

[D | E]



### Slide bracket min. $\varnothing$ 120 mm [4.72"]

Part No: 12-0455

**Description:** For bore straightness measurement. With magnetic feet. For bores  $\varnothing$ 120–250 mm [4.72"–9.84"], width Min. 60 mm [2.36"].

**Note:** When used with detector E7 the Min. diameter is 150 mm. With detector E9 Min. diameter is 120 mm.

[D | E]



### Slide bracket min. $\varnothing$ 200 [7.87"]

Part No: 12-0543

**Description:** For bore straightness measurement. With magnetic feet. For bores  $\varnothing$ 200–350 mm [7.87"–13.78"], width Min. 80 mm [3.15"].

**Note:** -

[D | E]




### Slide bracket min. $\varnothing$ 300 mm [11.81"]

Part No: 12-0510

**Description:** For bore straightness measurement. With magnetic feet. For bores  $\varnothing$ 300–500 mm [11.81"–19.68"], width Min. 100 mm [3.94"].

**Note:** -

[D | E]



### Bore bracket adapter plate

Part No: 12-0553

**Description:** Bracket for use with detector D5, D157 or E9.

**Note:** Detector and arm set not included. Suitable Arm set is Part No. 12-0314. Detector D5 and D157 is discontinued.

| D |

**Rod adapter for D157****Part No:** 12-0320**Description:** For mounting of detector D157 on standard rods.**Note:** Includes items as pictured leftmost (adapter, hexagon wrench and screws). Magnet base, rods and detector not included.

| D | E |

**Detector arms Linebore****Part No:** 12-0314**Description:** For bracket 12-0553. For bores  $\varnothing 120\text{--}500$  mm [4.72–19.68"], with the possibility to use the longest three arms as extension arms.**Note:** Also includes Foot set 12-0134 and 12-0143 (the rightmost picture).

| D | E |

**Foot set for linebore arms****Part No:** 12-0134**Description:** For use with linebore detector arms. Included in 12-0314.**Note:** -

| D | E |

**Foot set for  $\varnothing 120\text{--}150$  mm****Part No:** 12-0143**Description:** For use with linebore detector 12-0032 and bracket 12-0553. Included in 12-0314.**Note:** -

| D | E |

**Offset hub with counterlock****Part No:** 12-0661**Description:** For laser transmitter 12-0075.**Note:** -

| D | E |

**Offset hub with counterlock and tilt function****Part No:** 12-0537**Description:** For laser transmitter 12-0594.**Note:** -

| E |

**Offset hub with counterlock and tilt function for transmitter E30****Part No:** 12-0828**Description:** For laser transmitter E30, Part No. 12-0823.**Note:** -

| D | E |

**Pin for hub****Part No:** 12-1039

**Description:** This pin is mounted on the hubs 12-0661, 12-0537 or 12-0828. The hub can then be mounted in a machine spindle or similar. Clamping diameter 20 mm [0.79"]. The pin is hollow so laser beam can be pointed also through it.

**Note:** 4 screws M5x8 also included.

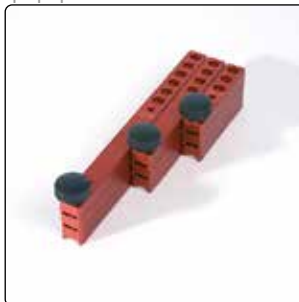
| D | E |

**Arm kit with magnets****Part No:** 12-0707

**Description:** For offset hub 12-0661 and 12-0537. Arms for bores  $\varnothing$ 100–500 mm [3.94–19.68"].

**Note:** -

| D | E |

**Offset hub arms****Part No:** 12-0384

**Description:** For offset hub 12-0661 and 12-0537. For bores  $\varnothing$ 100–500 mm [3.94–19.68"]. Also includes centering plug.

**Note:** -

| D | E |

**Extension arms Linebore****Part No:** 12-0282

**Description:** For extension of the Linebore offset hub arms. For bores  $\varnothing$ 500–1000 mm [19.68–39.36"]

**Note:** -

| D | E |

**Magnets for offset hub arms****Part No:** 12-0154

**Description:** For arms 12-0384. With plastic holder.

**Note:** -

| D | E |

**Adjustable magnet for offset hub arms****Part No:** 12-0990

**Description:** To use when the mounting surfaces for the hub arms aren't in same level. Adjustable 0–14mm [0–0.55"] compared to standard magnet level.

**Note:** -

| D | E |

**Axial extension arms, Linebore****Part No:** 12-0580

**Description:** Used for making it possible to reach the Linebore detector from the same side of the bore as the transmitter.

**Note:** 3 arms with magnets etc. as pictured on the left picture.

| D | E |

**Laser transmitter bracket Turbine/Bore alignment****Part No:** 12-0385

**Description:** For use with offset hub 12-0661 and laser transmitter D75. Included in system E950-B, E960-A, E960-B. 2 aluminium beams, length 1100 mm and 500 mm.

**Note:** Transmitter and hub not included.

| D | E |



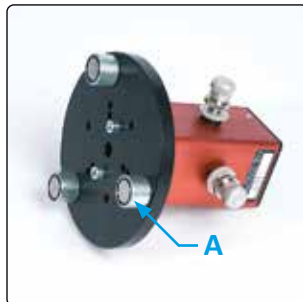
### Rod bracket for laser D75

**Part No:** 12-0149

**Description:** For mounting of laser transmitter D75 on standard rods. Laser beam can point from the bracket or through the bracket.

**Note:** -

| D | E |



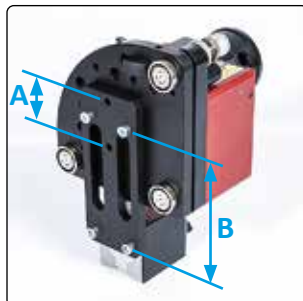
### Bracket for laser D75

**Part No:** 12-0187

**Description:** To use on shaft ends, flywheels etc. Laser beam can point from the bracket or through the bracket.

**Note:** A. 3 super magnets.

| D | E |



### Adapter plate for tilt table to magnet base

**Part No:** 12-0874

**Description:** For mounting D22 laser transmitter on a magnet base, or a magnet base with turnable head. Possible to turn unit 90° on bracket (mount in holes A instead).

**Note:** 4 screws M6x16 also needed (not included).

A: C-C=40 mm

B: C-C=106 mm

| D | E |



### Tilt table

**Part No:** 12-0110

**Description:** Tilt table mainly for transmitter D26, D22 and D23, but can also be used together with transmitter D75, for example.

**Note:** Tool kit also included (12-0622).

| D | E |



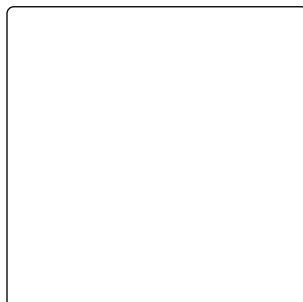
### Tilt table, turnable

**Part No:** 12-0864

**Description:** Tilt table mainly for transmitter E30 Long Range. For fine adjustment of horizontal and vertical angle. Can be used with magnets or mounted on tripod.

**Note:** -

| D | E |



### Tool kit for tilt table

**Part No:** 12-0622

**Description:** Safety strap screw (01-1402), Machine/magnet base pin (01-0139), set of Hexagon wrenches, Rod tightening tool (03-0048), Feet with flat points (3 pcs).

**Note:** Safety strap is separate part. Safety regulations differ from country to country. Tool kit included in Tilt table, Part No. 12-0110.



| D | E |



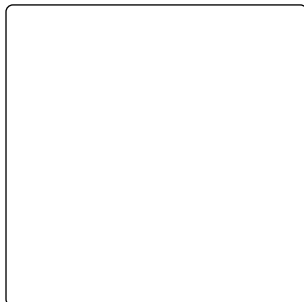
### Handheld detector bracket

**Part No:** 12-0603

**Description:** For use on non-magnetic surfaces.

**Note:** Use with rods (not included). Includes 2 screws M6x10 and rod tightening tool.

| E |



### Bar bracket

**Part No:** 12-0988

**Description:** For alignment of e.g. bar feeders. With super magnet.

**Note:** Rotational centre of magnet is centre for PSD.

| E |



### Spindle bracket for measuring unit

**Part No:** 12-0787

**Description:** Bracket for use with an ES-unit as laser transmitter.

Clamping pin  $\varnothing$  20 mm [0.79"], clamping length 40 mm [1.57"].

It is also possible to turn the measuring unit to point the laser beam

through the pin. This is for example useful when aligning bar feeders.

**Note:** Rods and measuring unit not included.

| D | E | XT |



### Angular adapter for detector, 90°

**Part No:** 12-1018

**Description:** Adapter positions detector exactly 90° to other direction.

Mainly used for machine tool applications.

**Note:** -

| D | E |



### Machine/magnet base pin for D22 and D26, short

**Part No:** 01-0139

**Description:** For mounting the transmitter in a spindle or on a magnet base, for example. Clamping pin  $\varnothing$  16 mm [0.63"], clamping length 30 mm [1.18"].

**Note:** This pin is included in the tilt table tool kit.

| D | E |



### Machine/magnet base pin for D22 and D26, Long

**Part No:** 01-1333

**Description:** For mounting the transmitter in a spindle (or on a magnet base), for example. Clamping pin  $\varnothing$  20 mm [0.79"], clamping length 60 mm [2.36"].

**Note:** -

| D | E |



### Mounting pin for D146

**Part No:** 12-0568

**Description:** Accessory mounting pin for laser transmitter D146. Makes it possible to point the laser beam into e.g. the chuck. Clamping  $\varnothing 20$  mm [0.79"].

**Note:** -

| D | E |



### Self centering bracket, Linebore

**Part No:** 12-0341

**Description:** For sterntube measurement. Smallest diameter 300 mm [11.81"]. Includes extension beams and rods for diameters up to 1200 mm [47.24"].

**Note:** Includes items as pictured leftmost. No detector included.

| D | E |



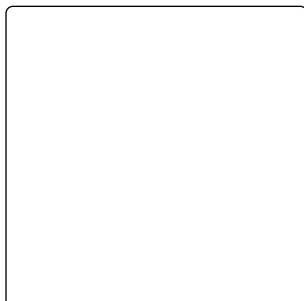
### Detector bracket "short stroke", Turbine

**Part No:** 12-0438

**Description:** With slidable beam. Makes it possible to reach several measurement positions without moving the entire bracket. One aluminium beam 1100 and one 600 mm included. For  $\varnothing 150$ –1700mm [5.9"–66.9"].

**Note:** Detector not included.

| E |



### Detector bracket "long stroke", Turbine

**Part No:** 12-0715

**Description:** Measures diameters 200–1700 mm [7.8"–67"] as standard. Stroke: 60 mm [2.36"].

Two aluminium beams 1100 mm [43.3"], one 600 mm [23.6"], rods 5x240 mm [9.44"], 4x120 mm [4.72"], 2x60 mm [2.36"], 1x30 mm [1.18"] included. For  $\varnothing 200$ –1700mm [7.8"–66.9"].

**Note:** Detector not included.

| D | E |



### Upgrade kit Long stroke

**Part No:** 12-0855

**Description:** This kit is for upgrading of the long stroke brackets used in D650 with self center bracket, D660 Turbine, E950-B and E960-B.

Makes it easier to adjust for different diameters, since the probe rod no longer has to be changed, instead the two other rods are extended when necessary.

**Note:** Only parts pictured on the left image included.

| D | E |



### Tube bracket

**Part No:** 12-0814

**Description:** Included with Part No. 12-0438 and 12-0715.

**Note:** -

| D | E |



### Titanium rods, set of 3

**Part No:** 12-1019

**Description:** Very light, titanium rods. Mainly for use with the probe in turbine applications and similar. Diameter 10 mm. Extendable.

**Note:** 3 lengths included: 1000 mm [39.37"] weight 150 g [5.29 oz], 700 mm [27.56"] weight 110 g [3.88 oz], 400 mm [15.75"] weight 64 g [2.26 oz]

| D | E |



### Aluminium beam, 500 mm [19.68"]

**Part No:** 03-0769

**Description:** Cross section measures 44x44 mm [1.73x1.73"].

**Note:** -

| D | E |



### Aluminium beam, 600 mm [23.62"]

**Part No:** 03-0770

**Description:** Cross section measures 44x44 mm [1.73x1.73"].

**Note:** -

| D | E |



### Aluminium beam, 1100 mm [43.31"]

**Part No:** 03-0771

**Description:** Cross section measures 44x44 mm [1.73x1.73"].

**Note:** -

| D | E |



### Ball top probe

**Part No:** 12-0439

**Description:** Probe for turbine measurement.

**Note:** -

| D | E |



### Short ball top probe

**Part No:** 12-0490

**Description:** Probe for turbine measurement.

**Note:** -

| D | E |



### Measuring probe Ruby

Ø5 mm

**Part No:** 12-0805

**Description:** Probe for turbine measurement. With ruby top.

**Note:** -

| D | E |



### Measuring probe Ruby

Ø2.5 mm

**Part No:** 12-0801

**Description:** Probe for turbine measurement. With ruby top.

**Note:** -

| D | E |



### Gauge block

**Part No:** 03-1291

**Description:** For use mainly in turbine applications. Nominal measure 8 mm [size of block 30x8x9 mm].

**Note:** -

| D | E |



### Measuring probe, cylindrical

**Part No:** 12-1047

**Description:** For use in turbine applications.

**Note:** -

| D | E |



### Measuring probe, cylindrical, with magnet

**Part No:** 12-1048

**Description:** For use in turbine applications.

**Note:** With neodym magnet in the cylinder probe.

| D | E |



### Centering target, Turbine

**Part No:** 12-0443

**Description:** For rough alignment of laser beam. 1 m + 0.5 m extension.

**Note:** -

| D | E |



### Side support for E5, E7 and other detectors

**Part No:** 12-0188

**Description:** For straightness measurement of engine bed plate. For use together with 12-0189.

**Note:** -

| D | E |



### Side support for D75

**Part No:** 12-0189

**Description:** For straightness measurement of engine bed plate. For use together with 12-0188.

**Note:** -

| D | E |



### Tripod

**Part No:** 12-0269

**Description:** For use with e.g. D22 and Angular prism. Min./Max. height 500–2730 mm [ 19.7–107.5" ]

**Note:** Includes tripod head Part No. 03-1338.

| E |



### Parallelity kit

**Part No:** 12-0203

**Description:** For parallelism measurement of rolls. Includes Magnet base D45, Sliding bracket 12-0137, Sliding table 12-0202, 2 x Large target base line. Delivered in plastic case.

**Note:** Detector not included.

| D | E |



### Sliding table for tripod

**Part No:** 12-0202

**Description:** Sliding table to mount on a tripod. For laser transmitters and angular prism. Mounted using 5/8-11 UNC thread .

Allows for 150 mm [5.9" ] slide of the unit, for example to point the laser beam to a detector on a rod or flange without moving the tripod.

**Note:** -



| D | E |



### Angular prism

**Part No:** 12-1136

**Description:** Angular prism with built-in penta prism which deflects the beam 90°. With the rotatable angular prism you can reach a detector at any height on a flange or a roll when measuring parallelity.

**Note:** Angular prism has a rod C-C of 40 mm. Items as pictured leftmost included (prism, bracket for detector unit, laser transmitter alignment target). The rightmost picture shows setup with detector, on tripod with sliding table 12-0202, and tripod adaptor 01-2232.

| D | E |



### Angular prism, kit

**Part No:** 12-1221

**Description:** Angular prism kit in rugged carrying case.

**Note:** Carrying case plus items as pictured leftmost included (prism, tripod adaptor, bracket for detector unit, laser transmitter alignment target, magnet base, 4 pcs rods 120 mm [4.72"]). Interior precut to also fit 2 pcs 12-1200 (accessories). Case measures WxHxD: 335x280x140 [13.2x11.0x5.5"], kit weight 3.8 kg [8.4 lbs].

| D | E | XT |



### Tripod adaptor for Angular prism

**Part No:** 01-2232

**Description:** To be used for mounting of Angular prism on tripod. Directly mounted as pictured here, or preferably on sliding table 12-0202 as pictured at Part No. 12-1136 above.

**Note:** Item as pictured leftmost included. Can be used for other applications if suitable. Rod C-C 40 and 56 mm.

| D | E |



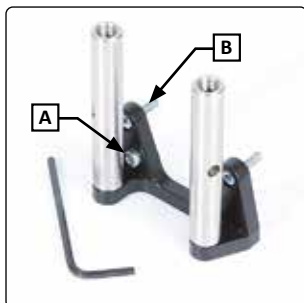
### Sliding table for magnet base

**Part No:** 12-1200

**Description:** For precision adjustment, mainly of angular prism. For rod C-C 40 mm. To be mounted on magnet base 12-0013.

**Note:** Includes 4 pcs screws. Magnet base not included.

| D | E |



### Measuring unit holder for Angular prism D46

**Part No:** 12-0709

**Description:** Makes it possible to mount a measuring unit in front of the angular prism D46. Used for precision aligning the prism.

**Note:** A. Support screws, only used with some detectors to put the PSD at the correct height/centre in front of the prism.

B. Screws for mounting on the D46.

Hexagon wrench and two rods 60 mm also included as pictured.

C. Does not fit 12-1136. Prism D46 (12-0046) is discontinued.

| E |



### Sun visor E-series

**Part No:** 12-0587

**Description:** To use in very sunny conditions when light causes unstable values. Fits detector 12-0509, 12-0752, 12-0824 and measuring units 12-0433/12-0434. With magnet attachment.

**Note:** -

| XT |



### Sun visor for XT40

**Part No:** 12-1205

**Description:** To use in very sunny conditions when light causes unstable values. Fits measuring units XT40-M/S (12-0943/12-0944).

**Note:** -

| D | E |

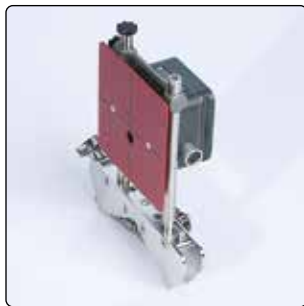


### Target 100x100 mm

**Part No:** 12-0544

**Description:** Rough alignment target for flatness measurement. Adjustable height (to align with either D22 or D23) and magnet base.

| D550 |



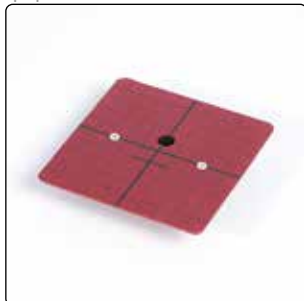
### Target D550 cardan

**Part No:** 12-0402

**Description:** Large target for use when aligning cardan/offset mounted machines. The target clamps onto the front of the D550 measuring units.

**Note:** -

| E |



### Large target E-series

**Part No:** 12-0588

**Description:** The target is mounted with magnet attachment onto the front of detectors 12-0509, 12-0752 and 12-0702, as well as measuring units 12-0433 and 12-0434.

**Note:** -

| E |



### Target E-series 20 x 20

**Part No:** 12-0794

**Description:** Rough alignment target for measuring units ES/EM, detectors E4, E5 and E7. Can be mounted to cover laser opening, functioning as dust cover and protection. With reflective centre point.

**Note:** Only one target included per Part No., i.e. if you order targets for a pair of measuring units, you will need two 12-0794.

| D | E |



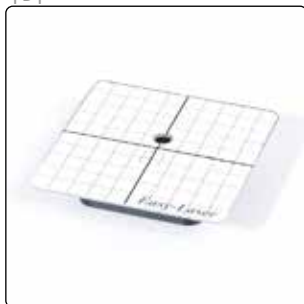
### Large target extruder

**Part No:** 12-0810

**Description:** Transparent target with adjustable magnets for mounting on tube end. Splits in two, to fit in the transportation case.

**Note:** -

| D |



### Target cardan

**Part No:** 12-0139

**Description:** Large target for use when aligning cardan/offset mounted machines. The target clamps onto the front of the D-series measuring units.

**Note:** -

| E |



### Wireless unit

**Part No:** 12-0436

**Description:** The unit for wireless communication is inserted into the connector on the detector or measuring unit. No internal battery.

**Note:** Fits both E-series detector and measuring units which have an internal battery; 12-0509, 12-0702, 12-0752, 12-0434 and 12-0433.

| E |



### Battery pack with built-in wireless unit

**Part No:** 12-0618

**Description:** Chargeable battery pack which gives extra operating time. With battery status indicator and On/Off button. Built-in unit for wireless measurement data transfer to the display unit.

**Note:** Only for the E-series. Includes "red cable" 0.16 m [6.3"].

| E |



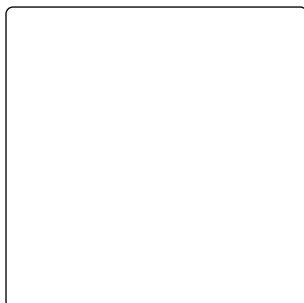
### Batterypack with wireless technology, Kit

**Part No:** 12-0740

**Description:** Kit including two Batterypack units with wireless technology (12-0618) and one splitter cable B (12-0725).

**Note:** The cable cannot be used for data transfer, only for charging.

| D | E |



### AC adaptor for D23

**Part No:** 12-1225

**Description:** For continuous power supply of the laser transmitter D23. 100–240V AC, 50–60 Hz, 600 mA / 5V DC, 4A.

**Note:** Also includes wall socket cable for the region where it is to be shipped (not pictured).

| E |



### Splitter cable B, for charging

**Part No:** 12-0725

**Description:** To connect two Easy-Laser® units when charging.

**Note:** Only for charging, the cable cannot be used to transfer any measurement data. Not for use with 12-0738.

| E |

**Splitter cable A, for charging two 12-0738****Part No:** 12-0728**Description:** For charging two wireless units with battery, Part No. 12-0738.**Note:** Only for charging 12-0738, the cable cannot be used to transfer any measurement data.

| E | XT |

**DC cable extension 1.5 m [59"]****Part No:** 03-1203**Description:** For extension of the DC split cables Part No. 12-0989 and 12-0750.**Note:** -

| E | XT |

**DC to USB adapter****Part No:** 12-0751**Description:** Adaptor to be used with cable 12-0989 and 12-0750.**Note:** Cannot transfer any measurement data.

| E |

**Splitter box****Part No:** 12-0597**Description:** Used for connection of up to four Easy-Laser® units when charging them.**Note:** Standard "red" cables also needed.

| E | XT |

**DC split cable for charging****Part No:** 12-0989**Description:** Cable for charging the units of system E420, E540 and XT440, XT550, XT660.**Note:** This cable cannot transfer any measurement data.

| D | E |

**"Red cable", 2.0 m [78.7"]****Part No:** 12-0074**Description:** For connecting Easy-Laser® measurement equipment. With Push-Pull connectors.**Note:** -

| D | E |

**"Red cable", 0.16 m [6.3"]****Part No:** 12-0494**Description:** For connecting Easy-Laser® measurement equipment. With Push-Pull connectors.**Note:** -

| D | E |

**"Red cable", 0.4 m [15.7"]****Part No:** 12-0289**Description:** For connecting Easy-Laser® measurement equipment. With Push-Pull connectors.**Note:** -





**“Red cable”, 1.0 m [39.3"]**  
**Part No:** 12-0179  
**Description:** For connecting Easy-Laser® measurement equipment. With Push-Pull connectors.  
**Note:** -



**“Red cable”, extension, 0.5 m [1.6']**  
**Part No:** 12-0762  
**Description:** For connecting Easy-Laser® measurement equipment. With Push-Pull connectors.  
**Note:** Extension cable.



**“Red cable”, extension, 5.0 m [16.4']**  
**Part No:** 12-0108  
**Description:** For connecting Easy-Laser® measurement equipment. With Push-Pull connectors.  
**Note:** Extension cable.



**“Red cable”, extension, 10.0 m [32.8']**  
**Part No:** 12-0180  
**Description:** For connecting Easy-Laser® measurement equipment. With Push-Pull connectors.  
**Note:** Extension cable.



**“Red cable”, 2.0 m [78.7"] with angled connector**  
**Part No:** 12-0735  
**Description:** For connecting Easy-Laser® measurement equipment. With Push-Pull connector on one end, and angled connector on the other. For use when there is limited space for the cable, e.g. small bore diameters.  
**Note:** -



**Cable support**  
**Part No:** 12-0321  
**Description:** If the cable is accidentally pulled with great force, this support will prevent the connector from damage. It will also minimise the risk of moving the detector out of position.  
**Note:** -



**Printer cable**  
**Part No:** 03-0241  
**Description:** For connection of the thermal printers 03-0341 and 03-0032 to display unit D279.  
**Note:** -



**PC cable (“null modem”)**  
**Part No:** 03-0333  
**Description:** Length 1.8 m [71"]  
**Note:** -



**USB/RS232 adaptor**  
**Part No:** 03-0722  
**Description:** Adaptor and cable extension.  
**Note:** Requires internet connection and Windows update.



**USB A - USB B cable**  
**Part No:** 03-0822  
**Description:** Cable with USB A to USB B connectors.  
**Note:** -

| E | XT |



**USB cable for Streaming values**

**Part No:** 03-1043  
**Description:** Null modem cable for use with E-series display units to stream values directly to a PC.  
**Note:** -

| E | XT50 | XT190 |



**Charger for E-series display unit + XT50 units + XT190**

**Part No:** 03-1243  
**Description:** -  
**Note:** Wall socket connection cable also needed, choose part depending on country of use.

| XT |



**Charger for XT-series\***

**Part No:** 03-1256  
**Description:** -  
**Note:** \*Not for system XT190, XT550 or XT50 units. Wall socket connection cable also needed, choose part depending on country of use.

| E | XT |



**Charger cable, EUR**

**Part No:** 03-0892  
**Description:** -  
**Note:** Charger unit also needed.

| E | XT |



**Charger cable, USA**

**Part No:** 03-0893  
**Description:** -  
**Note:** Charger unit also needed.

| E | XT |



**Charger cable, UK**

**Part No:** 03-0894  
**Description:** -  
**Note:** Charger unit also needed.

| E | XT |



**Charger cable, AUS**

**Part No:** 03-0895  
**Description:** -  
**Note:** Charger unit also needed.

| E | XT |



**HDMI to HDMI cable**

**Part No:** 03-0901  
**Description:** Length 3 m.  
**Note:** -

| E |



**VGA to VGA cable**

**Part No:** 03-0902  
**Description:** Length 3 m.  
**Note:** -

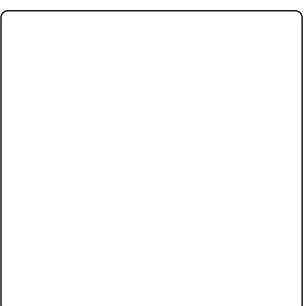
| E |



**Barcode reader**

**Part No:** 12-0619  
**Description:** For registration of machine data. Connected to the USB port.  
**Note:** Barcode stickers are no more available from Easy-Laser, but any other type can be used instead.

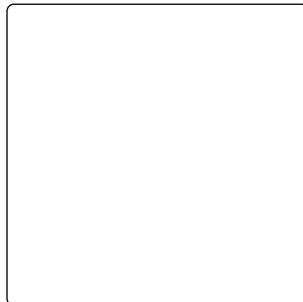
| E |



**VGA/HDMI kit, for serial number 94177 and newer**

**Part No:** 12-0840  
**Description:** Makes it possible to show the display unit screen on a TV or projector. Includes cable 03-0901 (HDMI), cable 03-0902 (VGA), converter and VGA circuit board.  
**Note:** Only for Display unit 12-0418 (E51) with serial number 94177 and higher. The VGA kit (the circuit board) must be ordered at system purchase for factory installation, it cannot be mounted afterwards.

| E |



### Printer for E-series

**Part No:** 03-1004

**Description:** Battery operated thermal printer. With USB cable and 110–220V charger. For connection to all systems with E-series display units.

**Note:** 1 paper roll included. Spare rolls, Part No. 03-0041.

| D |



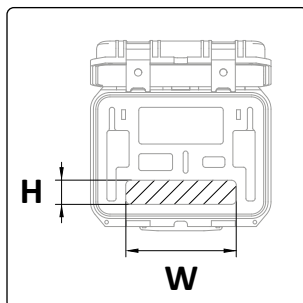
### Printer for D-series

**Part No:** 03-1323

**Description:** Battery operated thermal printer. With cable and 110-220V charger. For connection to all systems with display unit D279.

**Note:** Cable D-Sub 9-pole included. 1 paper roll included. Spare rolls, Part No. 03-0041.

| XT |



### Carrying case Small for system XT440

**Part No:** 12-1239

**Description:** Carrying case with pre-shaped interior for system XT440.

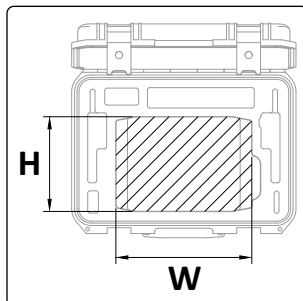
**Note:**

Space for third-party display unit size Max. WxHxD 225x40x140 mm [8.85x1.57x5.51"].

No system name sticker is included if not asked for.

Replaces old version with Part No. 12-0972.

| XT |



### Carrying case Medium for system XT440/XT660

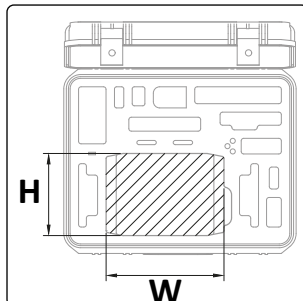
**Part No:** 12-0973

**Description:** Carrying case with pre-shaped interior for system XT440 and XT660.

**Note:** The interior has space for display unit XT11. If other display unit is to be placed in the case, please note the shape and dimension of the cutout (picture to the left). W=280 mm [11"], H= 195 mm [7.6"].

**Note 2:** No system name sticker is included if not asked for.

| XT |



### Carrying case Large for XT440/XT660/XT770

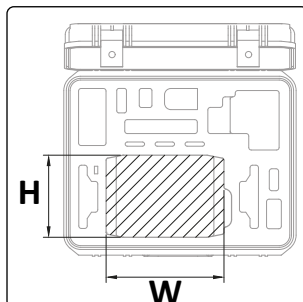
**Part No:** 12-1049

**Description:** Carrying case with pre-shaped interior for system XT440, XT660 and XT770. This case also carries some accessories, please see system XT660 and XT770 brochures for more information.

**Note:** The interior has space for display unit XT11. If other display unit is to be placed in the case, please note the shape and dimension of the cutout (picture to the left). W=280 mm [11"], H= 195 mm [7.6"].

**Note 2:** No system name sticker is included if not asked for.

| XT |



### Carrying case Large for XT770 with D22

**Part No:** 12-1132

**Description:** Carrying case with pre-shaped interior for system XT770 with laser transmitter D22. Please note: No pre-cut space for BTA or VIB accessories, but the general space under the XT11 might be used.

**Note:** The interior has space for display unit XT11. If other display unit is to be placed in the case, please note the shape and dimension of the cutout (picture to the left). W=280 mm [11"], H= 195 mm [7.6"].

**Note 2:** No system name sticker is included if not asked for.

| E |



### Carrying case for system E710

#### Part No: 12-0442

**Description:** Carrying case with pre-shaped interior for system E710.

**Note:** -

| D | E |



### Transportation case, Cardan

#### Part No: 12-0237

**Description:** Rigid case for Cardan bracket set, or other accessories. To use e.g. when there isn't place in the system case.

**Note:** The foam is cut for Cardan brackets.

| E |



### Carrying case Large for system E540

**Part No:** 12-1020

**Description:** Carrying case with interior for system E540.

**Note:** Pre-cut also for accessories, just remove foam blocks (blocks removed on picture).

| E |



### Carrying case Small for system E540

**Part No:** 12-1025

**Description:** Carrying case with interior for system E540.

**Note:** -

| E |



### Carrying case for system E420

**Part No:** 03-1059

**Description:** Carrying case with interior for system E420. Only lower compartment as pictured.

**Note:** -

| E | XT |



### Transportation case for system E180 and XT190

**Part No:** 12-0804

**Description:** Carrying case with interior for belt alignment units.

**Note:** No system name sticker is included if not asked for.

| E | XT |



### Plastic case for small items

**Part No:** 03-0792

**Description:** Transportation case with foam interior.

**Note:** This is the standard case included with Easy-Laser systems.





### Transportation case

**Part No:** 03-0909

**Description:** Rigid case for D22 or D23, or other accessories. To use e.g. when there isn't place in the system case.

**Note:** The foam is cut to order. Specify what the case will be used for. Otherwise it will be delivered with foam uncut.



### Luggage trolley

**Part No:** 03-1046

**Description:** Luggage trolley for easier transportation of system cases.

**Note:** Max. load 75 kg [165 lbs]. Dimensions WxHxD: 500x1070x455 mm [19.7x42.1x17.9"]. Dimensions folded WxHxD: 485x790x70 [19.1x31.1x2.8]. Weight 4.4 kg [9.7 lbs].



### Protective case for display unit E51, E52 and E53

**Part No:** 01-1379

**Description:** With strap.

**Note:** -

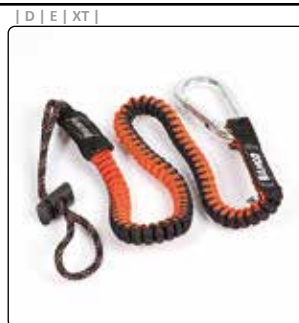


### Shoulder strap for display unit E-series

**Part No:** 12-0495

**Description:** -

**Note:** -

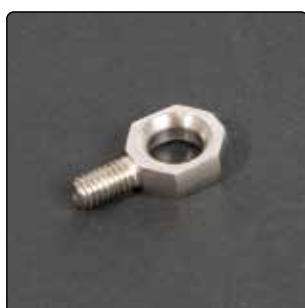


### Safety strap

**Part No:** 03-1406

**Description:** Bahco 3875-LY2, for 3 kg [6.6 lbs] weight. For use with laser transmitter D22, D23 and Digital Levels E290 and XT290.

**Note:** Screw 01-1402 for fastening the strap might also be needed.



### Screw for safety strap

**Part No:** 01-1402

**Description:** For fastening the safety strap Part No. 03-1406

**Note:** -



### Hexagon wrench set

**Part No:** 03-0967

**Description:** Hexagon wrench set with dimensions 1.27, 1.5, 2, 2.5, 3, 4, 5 and 6 mm. Ball end.

**Note:** -



### Measuring tape, 3 m [9.8']

**Part No:** 03-0824

**Description:** Fits the cases for the E- and XT-systems.

**Note:** -



### Measuring tape, 5 m [16.4']

**Part No:** 03-0842

**Description:** Fits the cases for the E-series systems.

**Note:** -

| D | E | XT |

**Demo unit Shaft****Part No:** 12-0416**Description:** For shaft alignment training. Can simulate both coupled and uncoupled shafts. With two shims 1.00 mm included.

Dimensions: appr. 400x200x200 mm [ 15.7x7.8x7.8"].

**Note:** To simulate an actual alignment, shims (Type A) of different thicknesses can be used. Measuring units and brackets not included.

| D | E | XT |

**Demo unit Shaft, steel****Part No:** 03-1332**Description:** For shaft alignment training. Can simulate both coupled and uncoupled shafts. Two units or more can be connected in series to simulate machine train. With two shims 1.00 mm included.

Dimensions: WxHxD appr. 640x275x255 mm [25.2x10.8x10.0"].

**Note:** To simulate an actual alignment, shims (Type A) of different thicknesses can be used. Measuring units and brackets not included.

| XT |

**Demo unit Sheave****Part No:** 12-0236**Description:** Can be placed standing or lying down.

WxHxD: 660x200x100 mm. Weight: 8 kg.

**Note:** BTA and targets not included.

| XT |

**Stinger for XT280****Part No:** 03-1326**Description:** Accessory probe for the XT280 Vibrometer.**Note:** Length 100 mm.

| XT |

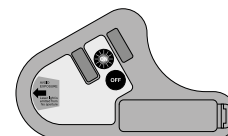
**Accelerometer magnet for XT280****Part No:** 03-1327**Description:** Accessory probe for the XT280 Vibrometer.**Note:** -



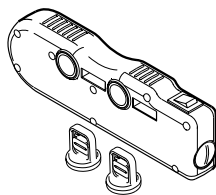
**Top for D23**  
**Part No:** 01-0618 + 03-0505  
**Description:** For protection of the rotating head.  
**Note:** Top and screw are separate articles.



**Target for BTA, 18 mm**  
**Part No:** 12-0394  
**Description:** Suitable for laser transmitter 12-0309 and 12-0390.  
**Note:** 1 pc.



**Target for BTA, 15 mm**  
**Part No:** 12-0213  
**Description:** Suitable for Easy-Laser® D80.  
**Note:** 1 pc.



**Barrel nut**  
**Part No:** 01-0045  
**Description:** For the standard chain.  
**Note:** -



**Nut**  
**Part No:** 01-0042  
**Description:** For the standard chain.  
**Note:** -



**Chain, stainless steel**  
**Part No:** 12-0386  
**Description:** For use with 12-0337.  
**Note:** Does not fit with standard chains.



**V-bracket**  
**Part No:** 12-0130  
**Description:** For mounting on shaft or coupling.  
**Note:** Just bracket, no chain.



**Screw M6x14**  
**Part No:** 03-0061  
**Description:** -  
**Note:** -



**Rod tightening tool, 4 mm**  
**Part No:** 01-0048  
**Description:** -  
**Note:** -



**Locking screw**  
**Part No:** 01-0039  
**Description:** Fits measuring units; 12-0001, 12-0002, 12-0119, 12-0120, 12-0114, 12-0116, 12-0776, 12-0777, 12-0698, 12-0697, 12-0746, 12-0747. Detectors; 12-0005, 12-0201, 12-0255.  
**Note:** -



**Locking screw**  
**Part No:** 01-1953  
**Description:** Fits measuring units; 12-0434, 12-0433. Detectors; 12-0702, 12-0509, 12-0752.  
**Note:** -



**Locking screw**  
**Part No:** 01-1866  
**Description:** Fits measuring units; 12-0943, 12-0944, 12-1028, 12-1029, 12-1026, 12-1027, 12-1045, 12-1046.  
**Note:** -



**Spare locks for carrying cases**  
**Part No:** -  
**Description:** Spare locks for different models of Easy-Laser® carrying cases.  
**Note:** Ask us for more details on pricing and availability. *Always measure width before ordering!*



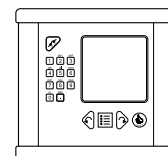
**Padded case for BTA**  
**Part No:** 03-0591  
**Description:** Padded case with belt strap.  
**Note:** -



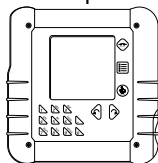
**Case for BTA Ex**  
**Part No:** 03-0736  
**Description:** Case for Ex environments. Made of antistatic material. With belt strap.  
**Note:** -



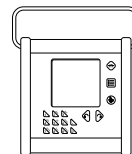
**Protective case for older display units**  
**Part No:** 03-0042  
**Description:** With strap.  
**Note:** -



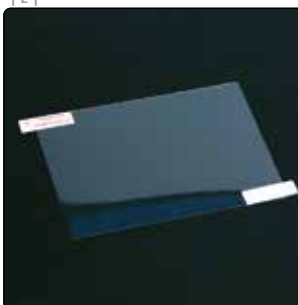
**Protective case for display unit D279**  
**Part No:** 03-0592  
**Description:** With strap.  
**Note:** -



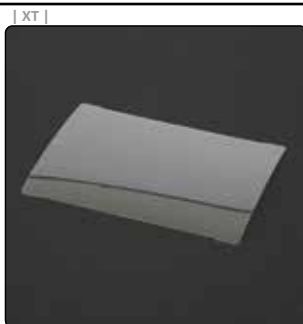
**Protective case for display unit D336**  
**Part No:** 03-0799  
**Description:** Made of antistatic materials. With strap.  
**Note:** -



**Cleaning cloth**  
**Part No:** 03-0878  
**Description:** For cleaning of optical surfaces such as laser aperture and PSD window.  
**Note:** -



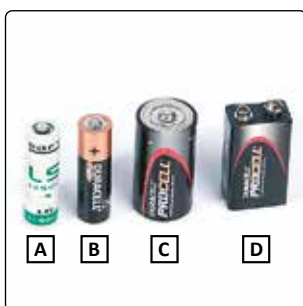
**LCD display protection film for E51/E52/E53**  
**Part No:** 03-0972  
**Description:** Thin film for scratch protection of the LCD display.  
**Note:** -



**LCD display protection film for XT11**  
**Part No:** 01-1945  
**Description:** Thin film for scratch protection of the LCD display.  
**Note:** -



**Thermo paper roll**  
**Part No:** 03-0041  
**Description:** Paper roll for printer 03-0032 and 03-0341.  
**Note:** -



**Batteries**  
**Description:**  
 A. 3.6 V, Lithium (for BTA Ex), Part Nr 03-0730  
 B. 1.5 V, LR6 Alkaline, Part Nr 03-0247  
 C. 1.5 V, LR14 Alkaline, Part Nr 03-0242  
 D. 9V, 6LR61 Alkaline, Part Nr 03-0642



**Vapor capsule Zerust VC2-2**  
**Part No:** 03-1184  
**Description:** Protects metals against rust and corrosion. Estimated life span 2 years.  
**Note:** For use in system cases. With adhesive backing.





### Sticker "This machine is aligned with"

**Part No:** 04-0053  
**Description:** To stick on aligned machines. With writable surface for date and operator signature.  
**Note:** 25 stickers.



### QR code sticker

**Part No:** 04-0307  
**Description:** To stick on machines. Read it from within the XT app for easy access to machine data etc.  
**Note:** 10 stickers with unique numbers.



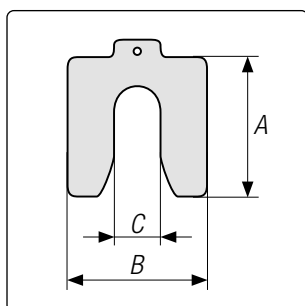
### Laser target sticker

**Part No:** 04-0146  
**Description:** To be used as reference point when doing geometrical measurements. Red reflectice cross for higher visibility.  
**Note:** Size 35x35 mm [1.38x1.38"]



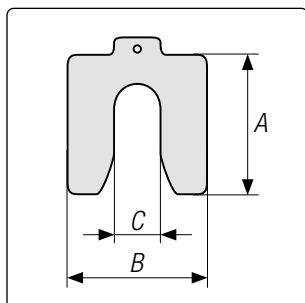
### Tool kit for system D550, complete

**Part No:** 12-0360  
**Description:** With 4 rods 120 mm, 4 extension chains, rod tightening tool and hexagon tool.  
**Note:** Antistatic fabric.



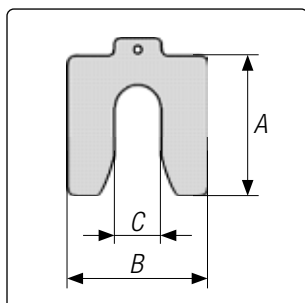
### Shims case 1, 180 shims

**Part No:** 12-0258  
**Description:** 180 shims, 10 pcs of each shim included. Weight 3.9 kg. Shims type 1, thickness 0.05, 0.10, 0.20, 0.50, 0.70, 1.00 mm. Shims type 2, thickness 0.05, 0.10, 0.20, 0.50, 0.70, 1.00 mm. Shims type 3, thickness 0.05, 0.10, 0.20, 0.50, 0.70, 1.00 mm.  
**Note:** Shims type 1, A: 55 mm, B: 50 mm, C: 15 mm  
 Shims type 2, A: 75 mm, B: 70 mm, C: 23 mm  
 Shims type 3, A: 90 mm, B: 80 mm, C: 32 mm



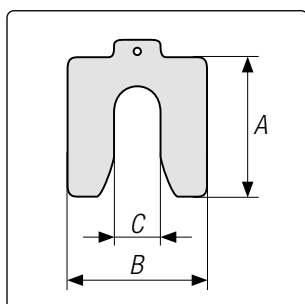
### Shims case 2, 360 shims

**Part No:** 12-0259  
**Description:** 360 shims, 20 pcs of each shim included. Weight 6.1 kg. Shims type 1, thickness 0.05, 0.10, 0.20, 0.50, 0.70, 1.00 mm. Shims type 2, thickness 0.05, 0.10, 0.20, 0.50, 0.70, 1.00 mm. Shims type 3, thickness 0.05, 0.10, 0.20, 0.50, 0.70, 1.00 mm.  
**Note:** Shims type 1, A: 55 mm, B: 50 mm, C: 15 mm  
 Shims type 2, A: 75 mm, B: 70 mm, C: 23 mm  
 Shims type 3, A: 90 mm, B: 80 mm, C: 32 mm



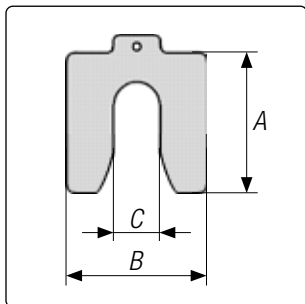
### Shims case 3, shims of your choice

**Part No:** 12-0743  
**Description:** For this case you choose number of shims yourself, from type 1, 2, 3, 4. We recommend minimum 10pcs/model. Please see price list for dimensions. Weight, case without shims 3.2 kg.  
**Note:** Shims type 1, A: 55 mm, B: 50 mm, C: 15 mm  
 Shims type 2, A: 75 mm, B: 70 mm, C: 23 mm  
 Shims type 3, A: 90 mm, B: 80 mm, C: 32 mm  
 Shims type 4, A: 125 mm, B: 105 mm, C: 44 mm



### Shims case 4, shims of your choice

**Part No:** 12-0755  
**Description:** For this case you choose number of shims yourself, from type 2, 3, 4, 5. We recommend minimum 10pcs/model. Please see price list for dimensions. Weight, case without shims 3.2 kg.  
**Note:** Shims type 2, A: 75 mm, B: 70 mm, C: 23 mm  
 Shims type 3, A: 90 mm, B: 80 mm, C: 32 mm  
 Shims type 4, A: 125 mm, B: 105 mm, C: 44 mm  
 Shims type 5, A: 200 mm, B: 200 mm, C: 85 mm



**Shims**

**Part No:** See price list.

**Description:** Blister packs of 10 pcs/size.

Type 1, thickness [mm] 0.05, 0.10, 0.20, 0.40, 0.50, 0.70, 1.00, 2.00, 3.00.

Type 2, thickness [mm] 0.05, 0.10, 0.20, 0.40, 0.50, 0.70, 1.00, 2.00, 3.00.

Type 3, thickness [mm] 0.05, 0.10, 0.20, 0.40, 0.50, 0.70, 1.00, 2.00, 3.00.

Type 4, thickness [mm] 0.05, 0.10, 0.20, 0.40, 0.50, 0.70, 1.00, 2.00, 3.00.

Type 5, thickness [mm] 0.05, 0.10, 0.20, 0.40, 0.50, 0.70, 0.80, 1.00, 2.00, 3.00.

**Dimensions [mm]:** Type 1, A: 55, B: 50, C: 15. Type 2, A: 75, B: 70, C: 23. Shims type 3, A: 90, B: 80, C: 32. Type 4, A: 125, B: 105, C: 44. Type 5, A: 200, B: 200, C: 85.



**Display unit E-series: E52**

**Part No:** 12-0700

**Description:** Available in different measurement program configurations. Which programs are available depends on in which system the display unit is included. Connectors: USB A, USB B, Easy-Laser® equipment, charger.

**Note:** Dust and splash guard for connectors removed on upper right picture.



**Measuring unit ELM40, PSD 30 mm**

**Part No:** 12-0776

**Description:** Laser diode and PSD detector in one housing. Built-in wireless communication. Battery status indicator. Built-in electronic 360° inclinometer. For shaft alignment. PSD 30 mm [1.18"].

**Note:** To be used in pair with S unit 12-0777. E-series measuring unit.



**Measuring unit ELS40, PSD 30 mm**

**Part No:** 12-0777

**Description:** Laser diode and PSD detector in one housing. Built-in wireless communication. Battery status indicator. Built-in electronic 360° inclinometer. For shaft alignment. PSD 30 mm [1.18"].

**Note:** To be used in pair with M unit 12-0776. E-series measuring unit.



**Tripod head**

**Part No:** 03-1338

**Description:** For use on tripod 12-0269 with e.g. D22 and Angular prism.

**Note:** -



**Cap**  
**Part No:** 13-0004  
**Description:** Cap made of 100% cotton. Easy-Laser® embroidery on front. With strap for size adjustment.  
**Note:** Not always in stock. Price upon request.



**USB memory**  
**Part No:** 03-0914  
**Description:** 4 GB memory stick USB. Easy-Laser® logo engraved on one side as on picture.  
**Note:** Price upon request.



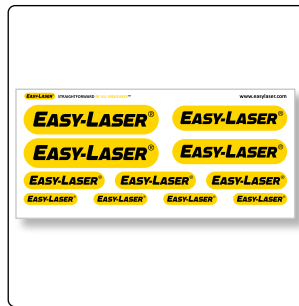
**Pen**  
**Part No:** 13-0006  
**Description:** With blue ink. Easy-Laser® logo as pictured. Good quality pen.  
**Note:** Not always in stock. Price upon request.



**Key holder**  
**Part No:** 01-1095  
**Description:** With snap-hook and string for mobile phone.  
**Note:** Not always in stock. Price upon request.



**Logo sticker**  
**Part No:** 04-0125 (small), 04-0124 (large)  
**Description:** Durable sticker with strong adhesive. Same sticker as on the system cases. Available in two sizes: 200x44 mm [7.87x1.73"] and 305x67 mm [12.01x2.64"].  
**Note:** Price upon request.



**Easy-Laser® logo stickers**  
**Part No:** 04-0252  
**Description:** Sheet with laminated logo stickers with the following lengths: 100 mm (2 pcs), 85 mm (2 pcs), 60 mm (3 pcs) and 40 mm (4 pcs) / [3.94" (2 pcs), 3.35" (2 pcs), 2.36" (3 pcs), 1.57" (4 pcs)]  
**Note:** -



**Keychain with spirit level**  
**Part No:** 13-0013  
**Description:** Keychain with spirit level (plastic block 40x15x15 mm). Easy-Laser® logo as pictured. For give-away purpose/not calibrated.  
**Note:** Not always in stock. Price upon request.



**A5 Notes**  
**Part No:** 13-0012  
**Description:** 25 note papers, glued with cardboard back.  
**Note:** -



**Playing cards**  
**Part No:** 13-0007  
**Description:** Deck of cards. International symbols. Easy-Laser® logo and web address "www.easylaser.com" printed as on picture.  
**Note:** Not always in stock. Price upon request.



**Notebook for the technician**  
**Part No:** 05-0792  
**Description:** Notebook measuring 90x140 mm that fits easily into a pocket in your work clothes, with an insert comprising 38 pages of graph paper and conversion tables on the inside of the cover. Laser facts on back cover.  
**Note:** Not always in stock. Price upon request.





**Laser transmitter D246**  
**(Discontinued)**  
 Part No: 12-0246  
 Description: -  
 Note: This product is discontinued and replaced by 12-0706.



**Offset hub for D75**  
**(Discontinued)**  
 Part No: 12-0132  
 Description: -  
 Note: This product is discontinued and replaced by 12-0661.



**Detector Extruder, diameter 20 mm [0.79"]**  
**(Discontinued)**  
 Part No: 12-0538



**Offset hub with arms**  
**(Discontinued)**  
 Part No: 12-0364  
 Description: -  
 Note: Replaced by 12-0707 + 12-0661.



**Detector Linebore**  
**(Discontinued)**  
 Part No: 12-0032



**Detector D6**  
**(Discontinued)**  
 Part No: 12-0201



**Detector bracket "long stroke", Turbine**  
**(Discontinued)**  
 Part No: 12-0248  
 Note: Replaced by 12-0715.



**Magnet base bracket for Linebore detector**  
**(Discontinued)**  
 Part No: 12-0329



**System D670 Parallelism**  
**(Discontinued)**  
 Part No: 12-0224  
 Note: Please see system E970 instead.



**System D800 Machine Spin**  
**(Discontinued)**  
 Part No: 12-0220  
 Note: Please see system E915 instead.

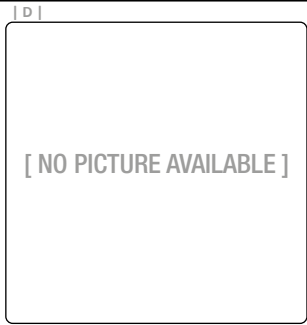


**System D660 Turbine**  
**(Discontinued)**  
 Part No: 12-0185  
 Note: Please see system E960 instead.



**System D662 Turbine**  
**(Discontinued)**  
 Part No: 12-0662  
 Note: Please see system E960 instead.





**System D663 Turbine  
(Discontinued)**

**Part No:** 12-0663  
**Note:** Please see system E960 instead.



**System D664 Turbine  
(Discontinued)**

**Part No:** 12-0664  
**Note:** Please see system E960 instead.



**System D630 Extruder  
(Discontinued)**

**Part No:** 12-0193  
**Note:** Please see system E930 instead.



**System D640 Machine tool  
(Discontinued)**

**Part No:** 12-0552  
**Note:** Please see system E940 instead.



**System D652 Linebore  
(Discontinued)**

**Part No:** 12-0652  
**Note:** Please see system E950 instead.



**System D650 Linebore  
(Discontinued)**

**Part No:** 12-0034  
**Note:** Please see system E950 instead.



**System D600 Machine  
(Discontinued)**

**Part No:** 12-0133  
**Note:** Please see system E920 instead.



**System D525 Shaft  
(Discontinued)**

**Part No:** 12-0231  
**Note:** Please see system E710 instead.



**System D525 B Shaft  
(Discontinued)**

**Part No:** 12-0235  
**Note:** Please see system E710 instead.



**System D505 Shaft  
(Discontinued)**

**Part No:** 12-0207  
**Note:** Please see system E540 or E710 instead.



**System D480 Shaft  
(Discontinued)**

**Part No:** 12-0422  
**Note:** Please see system E540 or E710 instead.



**System D450 Shaft  
(Discontinued)**

**Part No:** 12-0300  
**Note:** Please see system E420 instead.



**System E530 Shaft**  
**(Discontinued)**  
 Part No: 12-0695  
 Note: Please see system E710 or E540 instead.



**Easy-Laser® D550 Extreme™ Ex/ATEX/IECEx**  
**(Discontinued)**  
 Part No: 12-0340



**Easy-Laser® D130 BTA Ex**  
**(Discontinued)**  
 Part No: 12-0400



**System D150 BTA digital**  
**(Discontinued)**  
 Part No: 12-0310  
 Note: Please see system XT190 instead.



**System D160 BTA**  
**(Discontinued)**  
 Part No: 12-0411  
 Note: Please see system XT190 instead.



**System E170 BTA**  
**(Discontinued)**  
 Part No: 12-0659  
 Note: Please see system XT190 instead.



**System E180 BTA**  
**(Discontinued)**  
 Part No: 12-0796 + (12-0850: system without laser transmitter)  
 Note: Please see system XT190 instead.



**Laser transmitter Ex for sheave/pulley alignment**  
**(Discontinued)**  
 Part No: 12-0390



**Detector for sheave/pulley alignment**  
**(Discontinued)**  
 Part No: 12-0308  
 Note: Please see system XT190 instead.



**D-series Detector for belt alignment**  
**(Discontinued)**  
 Part No: 12-0403  
 Note: Please see system XT190 instead.



**E-series Detector for belt alignment**  
**(Discontinued)**  
 Part No: 12-0657  
 Note: Please see system XT190 instead.



**E-series wireless Detector for belt alignment**  
**(Discontinued)**  
 Part No: 12-0791  
 Note: Please see system XT190 instead.



Measuring unit M,  
PSD 10x10 mm  
**(Discontinued)**  
Part No: 12-0001



Measuring unit M,  
PSD 10x10 mm  
**(Discontinued)**  
Part No: 12-0002



Measuring unit M, PSD  
18x18 mm, inclinometer  
**(Discontinued)**  
Part No: 12-0119



Measuring unit S, PSD  
18x18 mm, inclinometer  
**(Discontinued)**  
Part No: 12-0120



Measuring unit M, PSD  
10x10 mm, inclinometer  
**(Discontinued)**  
Part No: 12-0423



Measuring unit M, PSD  
10x10 mm, inclinometer  
**(Discontinued)**  
Part No: 12-0424



Measuring unit S, PSD  
30x30 mm, inclinometer  
**(Discontinued)**  
Part No: 12-0260



Measuring unit M, PSD  
30x30 mm, inclinometer  
**(Discontinued)**  
Part No: 12-0256



Measuring unit M,  
2 axis, PSD 18x18 mm,  
inclinometer  
**(Discontinued)**  
Part No: 12-0116



Detector 30 mm,  
D-series **(Discontinued)**  
Part No: 12-0255



Detector D5  
**(Discontinued)**  
Part No: 12-0005



Detector E4  
**(Discontinued)**  
Part No: 12-0702  
**Note:** Please see Detector E5 or E7  
instead.





**Measuring unit ELS30,  
PSD 30 mm  
(Discontinued)**  
Part No: 12-0697



**Measuring unit ELS30,  
PSD 30 mm  
(Discontinued)**  
Part No: 12-0698



**Detector D157  
(Discontinued)**  
Part No: 12-0157



**Detector E8, 1-axis PSD  
(Discontinued)**  
Part No: 12-0758  
Note: Please see Detector E9  
instead.



**Measuring unit M, Ex-  
treme™ (Discontinued)**  
Part No: 12-0334



**Measuring unit M, Ex-  
treme™ (Discontinued)**  
Part No: 12-0335



**Display unit Extreme™  
EX: D336 (Discontinued)**  
Part No: 12-0336



**Display unit D-series:  
D279 (Discontinued)**  
Part No: 12-0279



**AC adaptor for Display  
unit D279 (Discontinued)**  
Part No: 12-0590



**Display unit for sheave/  
pulley alignment  
(Discontinued)**  
Part No: 12-0404



**Magnetic bracket  
(Discontinued)**  
Part No: 12-0413  
Note: Replaced by 12-1147.



**Magnetic bracket  
(Discontinued)**  
Part No: 12-1011  
Note: Replaced by 12-1147.





**Offset bracket**  
**(Discontinued)**  
 Part No: 01-0076  
 Note: Please see 01-1165 instead.



**AC adaptor for D22 and D75**  
**(Discontinued)**  
 Part No: 12-0205



**AC adaptor for D23**  
**(Discontinued)**  
 Part No: 12-0294



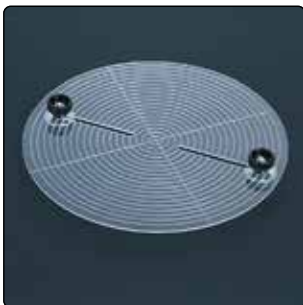
**Extension chain**  
**(Discontinued)**  
 Part No: 12-0319  
 Note: Please see 12-0128 instead.



**Height adjustment bracket for D6**  
**(Discontinued)**  
 Part No: 12-0417



**Sun visor for D6**  
**(Discontinued)**  
 Part No: 01-1352



**Large target extruder**  
**(Discontinued)**  
 Part No: 12-0199  
 Note: Please see 12-0810 instead.



**Measuring tape, 2 m [6.5']**  
**(Discontinued)**  
 Part No: 12-0012



**Carrying case for system E540 and E530**  
**(Discontinued)**  
 Part No: 03-1007  
 Note: Replaced by cases 12-1020 and 12-1025.



**CD**  
**(Discontinued)**  
 Part No: 06-0001



**Transportation case Ex Large**  
**(Discontinued)**  
 Part No: 12-0456



**Printer 220 V**  
**(Discontinued)**  
 Part No: 03-0032  
 Note: Replaced by 03-1323.



**Printer 110 V**  
**(Discontinued)**  
 Part No: 03-0341  
 Note: Replaced by 03-1323.



**Sliding bracket**  
**(Discontinued)**  
 Part No: 12-0039  
 Note: Please see 12-1010 instead.



**Back Pack System Large**  
**(Discontinued)**  
 Part No: 03-1044  
 Note: -



**Back Pack System Large**  
**(Discontinued)**  
 Part No: 03-1045  
 Note: -



**E-series Vibrometer probe E285**  
**(Discontinued)**  
 Part No: 12-0656  
 Note: -



**D-series Vibrometer probe D283**  
**(Discontinued)**  
 Part No: 12-0283  
 Note: -



**Wireless units kit for E530**  
**(Discontinued)**  
 Part No: 12-0739  
 Note: -



**Wireless unit for E530**  
**(Discontinued)**  
 Part No: 12-0738  
 Note: -



**Adapter bracket for 40 mm rod distance**  
**(Discontinued)**  
 Part No: 12-0815  
 Note: -



**Magnet base with turnable head, for D157**  
**(Discontinued)**  
 Part No: 12-0608  
 Note: -



**Cam shaft bracket**  
**(Discontinued)**  
 Part No: 12-0476  
 Note: -



**Sun visor D550**  
**(Discontinued)**  
 Part No: 12-0592  
 Note: -



### Barcode sticker (Discontinued)

Part No: 04-0147

Note: -



### Large extruder adapter/ bracket (Discontinued)

Part No: -

Note: Maximum size for extruder brackets is 200 mm.



### Angular prism D46 (Discontinued)

Part No: 12-0046

Description: Angular prism with built-in penta prism which deflects the beam 90°.

Note: Replaced by 12-1136.



### Charger 12-36V for car (Discontinued)

Part No: 12-0585



### Bracket for non-magnetic flanges, with handheld detector bracket (Discontinued)

Part No: 12-0628



### Battery pack (Discontinued)

Part No: 12-0617

Note: Please see 12-0618 instead.



### Cable tester (Discontinued)

Part No: 12-0362



### VGA/HDMI kit (Discontinued)

Part No: 12-0573



### System E940 Machine tool (Discontinued)

Part No: 12-0761

Note: Ask your local distributor for possible replacement solutions.



### Shaft alignment system for Vestas (Discontinued)

Part No: 12-0797 (Vestas 4)

Part No: 12-0825 (Vestas 3)

Note: Replaced by 12-1143, 12-1142 and 12-1183.



### System E540-A Shaft (Discontinued)

Part No: 12-1043



### System E540-B Shaft (Discontinued)

Part No: 12-0775



**System E720 Shaft/Geo**  
**(Discontinued)**  
Part No: 12-0955



**System E975 Roll Alignment**  
**(Discontinued)**  
Part No: 12-0854



**Roll alignment kit**  
**(Discontinued)**  
Part No: 12-0856



**Angle detector E2**  
**(Discontinued)**  
Part No: 12-0845



**Angle bracket**  
**(Discontinued)**  
Part No: 01-1768



**Roll bracket**  
**(Discontinued)**  
Part No: 12-0849



**Large roll kit**  
**(Discontinued)**  
Part No: 12-0885



**ECOM Tab-Ex® 01 –**  
**(Discontinued)**  
Part No: 12-1086



**Small case for system XT440**  
**(Discontinued)**  
Part No: 12-0972  
Note: Replaced by 12-1239



**Safety strap**  
**(Discontinued)**  
Part No: 12-0915  
Note: Replaced by 03-1406 and 01-1402.



**White Vaseline**  
**(Discontinued)**  
Part No: 03-1193



**Standard chain**  
**(Discontinued)**  
Part No: 12-0033  
Note: Please see 12-0625 instead.





# TECHNICAL SPECIFICATIONS

**READ THIS INFORMATION CAREFULLY**

- On the following pages technical specifications for the most common units can be found. We will not list all products here.
- You should always also read the complete product description to find out about compatibility with other Easy-Laser® products.
- Please note that the measurement range for laser transmitters is the maximum range, and in reality depends on the detector used and the application.
- Operating times also depends on the actual application, therefore it is not specified for all products. See system specifications in each brochure for more detailed information. Li-Ion battery condition also affect the operating time.
- The drawings show the most important measures. Because of limited space we cannot always place the projections according to European drawing projection, but that is otherwise the method used.
- Specifications are quoted to 95% confidence level (coverage factor  $k=2$ ).
- The D-series, E-series and XT-series detectors and display units can only be used within its own product series. Note! One exception is the sheave alignment detector 12-1054, which can be connected to XT11, E51 and E52.
- Brackets for D- and E-series has a rod C–C of 40 mm, XT-series rod C–C is 56 mm. The new XT offset bracket (12-1008) function as an adaptor for these two measures, but doesn't fit all older brackets.



Software communication



Brackets



**SPECIFICATIONS FOR BUILT-IN RECHARGEABLE BATTERIES (2020-10-08):**

Easy-Laser Part No.	MSDS Document	Type	Nominal Voltage	Nominal Capacity	Energy	Included in
12-1100	A	Li-Ion	3.65 V	11400 mAh	41.61 Wh	12-0418 Display unit E51
						12-0700 Display unit E52
						12-0748 Display unit E53
03-0765	B	Li-Ion	3.7 V	660 mAh	2.5 Wh	12-0433 Measuring unit S 20x20
						12-0434 Measuring unit M 20x20
						12-0509 Detector E5
						12-0752 Detector E7
						12-0759 Detector E9
						12-0789 Measuring unit ESH 20x20
						12-0790 Measuring unit EMH 20x20
						12-0799 Detector E3
						12-0824 Detector E7H
						12-0846 Precision level E290
03-0971	D	Li-Ion	3.6 V	2600 mAh	9.36 Wh	12-0618 Battery pack wireless
						12-0823 Laser transmitter E30
						12-0845 Detector E2
03-1052	C	Li-Ion	3.7 V	330 mAh	1.22 Wh	12-0746 Measuring unit ELM 20
						12-0747 Measuring unit ELS 20
						12-0776 Measuring unit ELM 40
						12-0777 Measuring unit ELS 40
						12-1054 Detector BTA XT190
12-0953	F	Li-Ion	3.7 V	2000 mAh	7.4 Wh	12-0943 Measuring unit XT40-M
						12-0944 Measuring unit XT40-S
						12-1028 Measuring unit XT60-M
						12-1029 Measuring unit XT60-S
						12-1045 Measuring unit XT70-M
						12-1046 Measuring unit XT70-S
12-0983	G	Li-Ion	3.7 V	2000 mAh	7.4 Wh	12-1026 Measuring unit XT50-M
						12-1027 Measuring unit XT50-S
N/A	H	Li-Ion	3.8 V	4450 mAh	16.91 Wh	12-1196 Ecom Tablet XT550
						12-1086 Ecom Tablet XT550
12-1099	I	Li-Ion	7.3 V	5700 mAh	41.64 Wh	12-0961 Display unit XT11 (2 pcs)



**INFORMATION ABOUT CHARGERS**

**Charger for E-series (03-1243), XT190 and XT50/XT550**

Model: GPE024D-120200D

AC Input: 100–240VAC ~0.75A, 50–60Hz

DC Output: 12.0VDC 2.0A, 24.0W

Efficiency:

≥86.8% (avg.) at 115Vac/60Hz or 230Vac/50Hz input voltage and 25%, 50%, 75% or 100% of max output current.

≥76.8% at 115Vac/60Hz or 230Vac/50Hz input voltage and 10% of max output current.

≤0.075W at no load power consumption, at normal line input.

**Charger for XT-series (03-1256), except XT190 and XT50/XT550**

Model: EA10682N-150

AC Input: 100–240VAC ~2.0A, 50–60Hz

DC Output: 15.0VDC 4.0A, 60.0W

Efficiency:

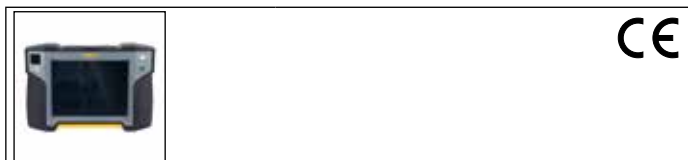
≥89.0% (avg.) at 115Vac/60Hz or 230Vac/50Hz input voltage and 25%, 50%, 75% or 100% of max output current.

≥79.0% at 115Vac/60Hz or 230Vac/50Hz input voltage and 10% of max output current.

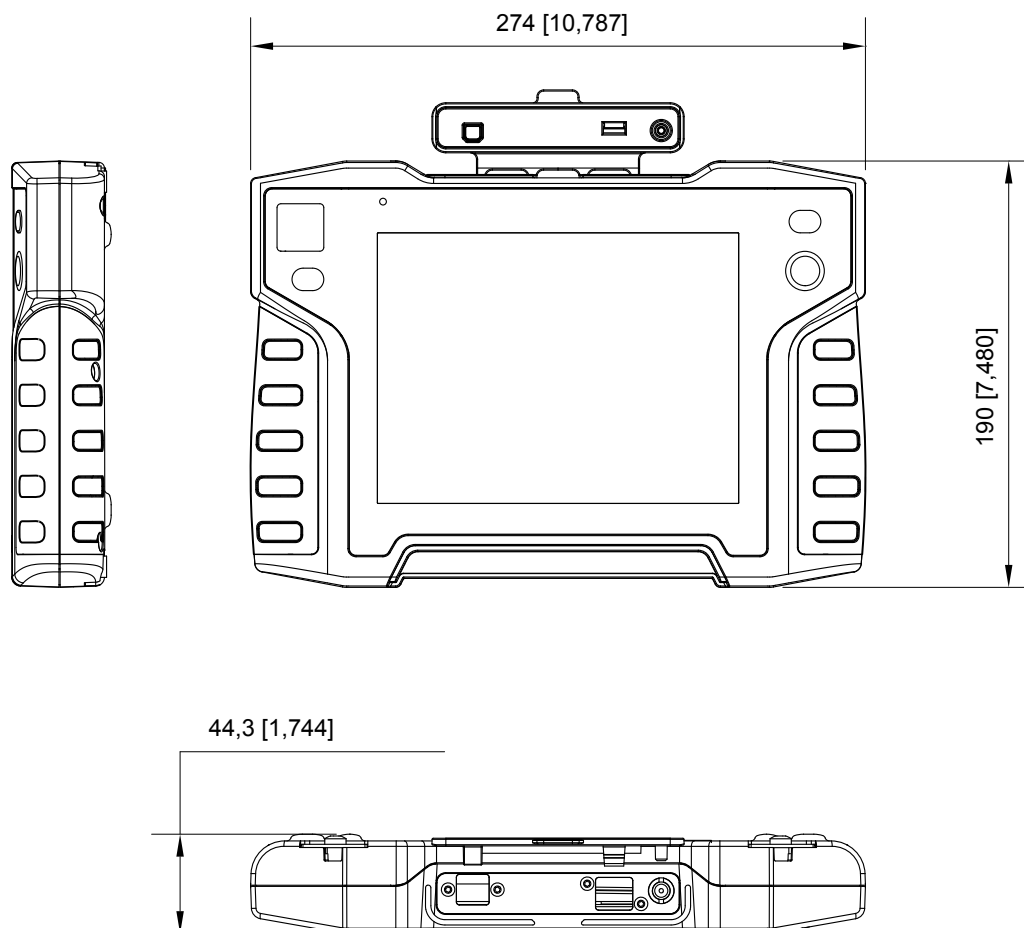
≤0.15W at no load power consumption, at normal line input.

Display unit XT11, Part No. 12-0961

mm [inch]





Type of display/size	SVGA 8" colour screen, backlit LED, multitouch
Battery type	Heavy duty Li Ion chargeable
Operating time	Up to 16 h continuously
Connections	USB A, USB B, Charger, AV (HDMI)
Communication	Wireless technology, WiFi
Camera, with diode lamp	13 Mp
IR camera (optional)	FLIR LEPTON® 0–450° [32–842°F]
Help functions	Built-in manual
Environmental protection	IP class 66 and 67
Operating temperature	-10–50 °C [14–122 °F]
Storage temperature	-10–50 °C [-4–122 °F]
Relative humidity	10–95%
OLED display	96x96 pixels
Housing material	PC/ABS + TPE
Dimensions	WxHxD: 274x190x44 mm [10.8x7.5x1.7"]
Weight	1450 g [3.2 lbs]



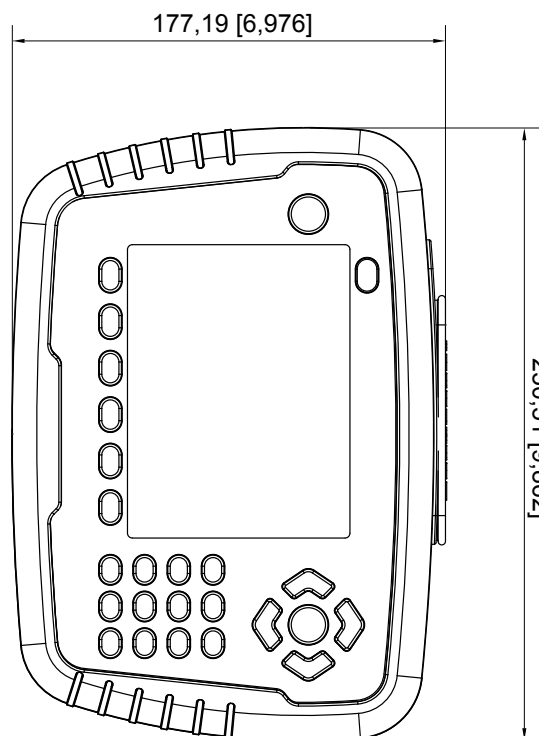
Easy-Laser® is manufactured by Easy-Laser AB, Alfagatan 6, 431 49 Mölndal, Sweden, +46 31 708 63 00, info@easylaser.com, www.easylaser.com © Easy-Laser AB. We reserve the right to make modifications without prior notification. Easy-Laser® is a registered trademark of Easy-Laser AB. Contains FCC ID: 2AFDI-ITCNFA324 IC: 9049A-ITCNFA324.





### Display unit E51, Part No. 12-0418

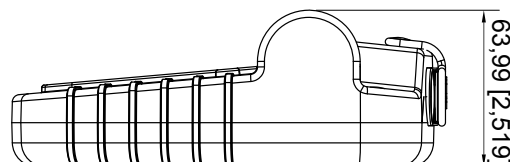
		
Type of display/size	VGA 5.7" colour screen, backlit LED	
Displayed resolution	0.001 mm / 0.05 thou (0.0001 mm with HyperPSD units)	
Power management	Endurio™ system for unbroken power supply	
Internal battery (fixed)	Heavy duty Li Ion chargeable	
Battery compartment	For 4 x R14 (C)	
Temperature range	-10–50 °C [14–122 °F]	
Connections	USB A, USB B, Easy-Laser® units, Charger	
Communication	BT wireless technology and cable	
Internal memory	>100 000 measurements can be saved	
Help functions	Calculator, Unit converter	
Environmental protection	IP class 65	
Housing material	PC/ABS + TPE	
Dimensions	WxHxD: 250x175x63 mm [9.8x6.9x2.5"]	
Weight (without batteries)	1080 g [2.4 lbs]	

mm [inch]





### Display unit E52, Part No. 12-0700

		
Type of display/size	VGA 5.7" colour screen, backlit LED	
Displayed resolution	0.001 mm / 0.05 thou	
Internal battery (fixed)	Heavy duty Li Ion chargeable	
Temperature range	-10–50 °C [14–122 °F]	
Connections	USB A, USB B, Easy-Laser® units, Charger	
Communication	BT wireless technology	
Internal memory	>100 000 measurements can be saved	
Help functions	Calculator, Unit converter	
Environmental protection	IP class 65	
Housing material	PC/ABS + TPE	
Dimensions	WxHxD: 250x175x63 mm [9.8x6.9x2.5"]	
Weight	1020 g [2.3 lbs]	



### Display unit E53, Part No. 12-0748


		
Type of display/size	VGA 5.7" colour screen, backlit LED	
Displayed resolution	0.001 mm / 0.05 thou	
Internal battery (fixed)	Heavy duty Li Ion chargeable	
Temperature range	-10–50 °C [14–122 °F]	
Connections	USB A, Charger	
Communication	BT wireless technology	
Internal memory	>2000 measurements can be saved	
Help functions	Calculator, Unit converter	
Environmental protection	IP class 65	
Housing material	PC/ABS + TPE	
Dimensions	WxHxD: 250x175x63 mm [9.8x6.9x2.5"]	
Weight	910 g [2.0 lbs]	

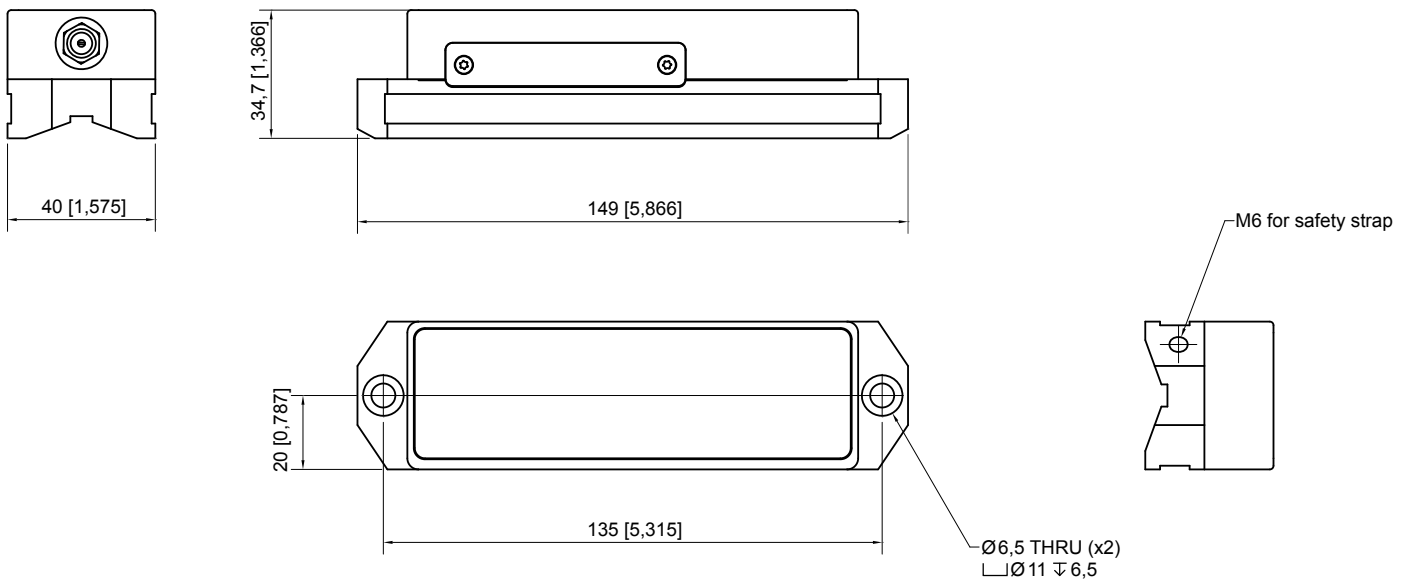


Easy-Laser® is manufactured by Easy-Laser AB, Alfagatan 6, 431 49 Mölndal, Sweden, +46 31 708 63 00, info@easylaser.com, www.easylaser.com  
 © Easy-Laser AB. We reserve the right to make modifications without prior notification. Easy-Laser® is a registered trademark of Easy-Laser AB.  
 Contains FCC ID: PVH0946, IC: 5325A-0946.


E290 Digital Precision Level, Part No. 12-0846

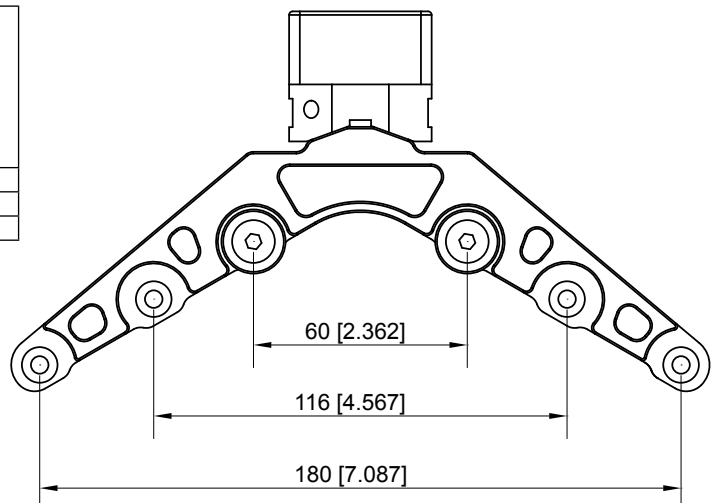
mm [inch]

 <div style="float: right; font-size: 2em; font-weight: bold;">CE</div>	
Displayed resolution	OLED: 0.01 mm/m (0.001°)/App: 0.001 mm/m (0.001°)
Range	± 2 mm/m
Measurement accuracy	Range ±1 mm/m: accuracy within ±0.02 mm/m of displayed value. Range ±2 mm/m: accuracy within ±0.04 mm/m of displayed value.
Type of display	OLED
Communication	BT wireless technology Contains FCC ID: PVH0946, IC: 5325A-0946.
Environmental protection	IP Class 67
Operating temperature	-10–50 °C [14–122 °F]
Internal battery	Li Ion
Material	Anodized aluminium , ABS plastics
Dimensions	WxHxD: 149x40x35 mm [5.9x1.6x1.4"]
Weight	530 g [18.7oz]



Extension kit for Precision Level, Part No. 12-0901

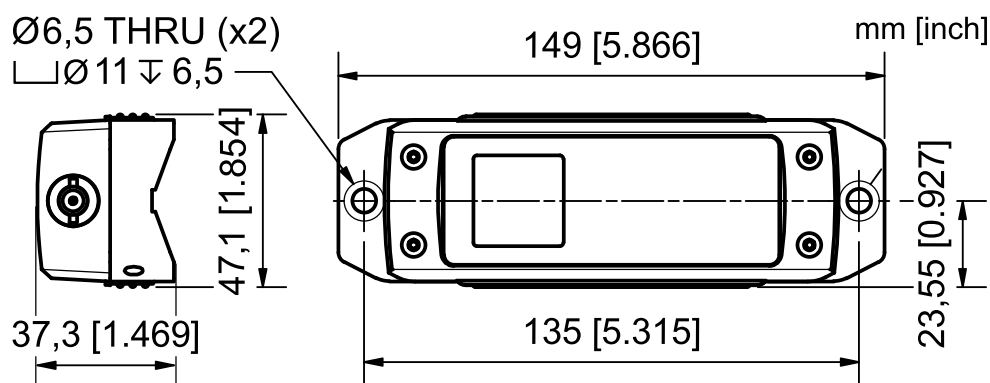
	
For diameters	55–800 mm [2.16–31.50"]
Material	Anodized aluminium , Stainless steel feet
Weight	430g [15.2 oz]




**XT290 Digital Precision Level, Part No. 12-1241**

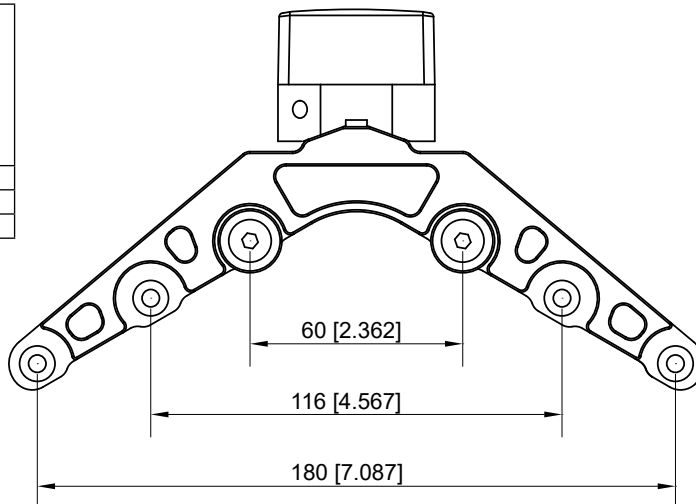
mm [inch]

		
Displayed resolution	0.1, 0.01, 0.001 mm/m [mils/inch]	
	0.001, 0.0001, 0.00001 inch/foot	
	10, 1, 0.1 arcsec	
	0.01, 0.001, 0.0001 degree	
Precision level range	±20 mm/m [±20 mils/inch] (pitch)	
Precision level accuracy	±0.02 mm/m ±1% [±0.02 mils/inch ±1%]	
Precision level sensitivity	0.001 mm/m [0.001 mils/inch]	
Inclinometer range	±180° (pitch and roll)	
Inclinometer accuracy	±0.2° (within range ±5°), ±1° (within range ±180°)	
Type of display	TFT 240x240 pixels, RGB colour	
Communication	BT wireless technology, 20 m [65'] range Contains FCC ID: Q0QBGM13P, IC: 5123A-BGM13P. Taiwan, ID: CCAM18LP1260T0	
Environmental protection	IP Class 66/67	
Warning sensors	Temperature change and vibration	
Operating temperature	-10–50 °C [14–122 °F]	
Storage temperature	-20–50 °C [-4–122 °F]	
Operating time	Up to 20 h continuously	
Internal battery	Li-Ion	
Material	Corrosion resistant hardened steel, PC/ABS plastics	
Dimensions	WxHxD: 149x37.3x47.1 mm [5.86"x1.47"x1.85"]	
Weight	548 g [19.3 oz]	



**Extension kit for Precision Level, Part No. 12-0901**

	
For diameters	55–800 mm [2.16–31.50]
Material	Anodized aluminium, Stainless steel feet
Weight	430g [15.2 oz]



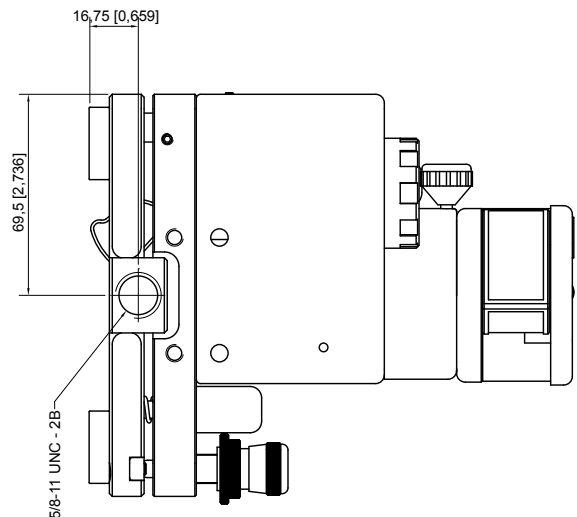
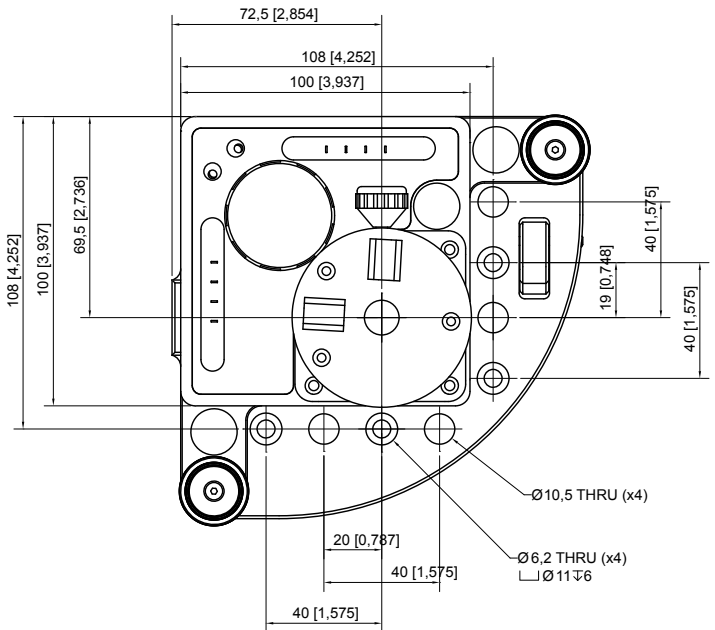
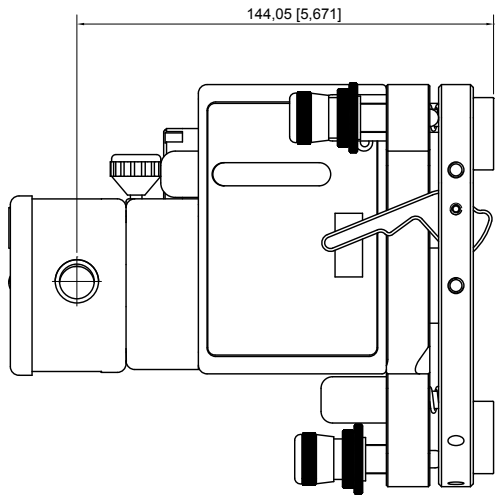
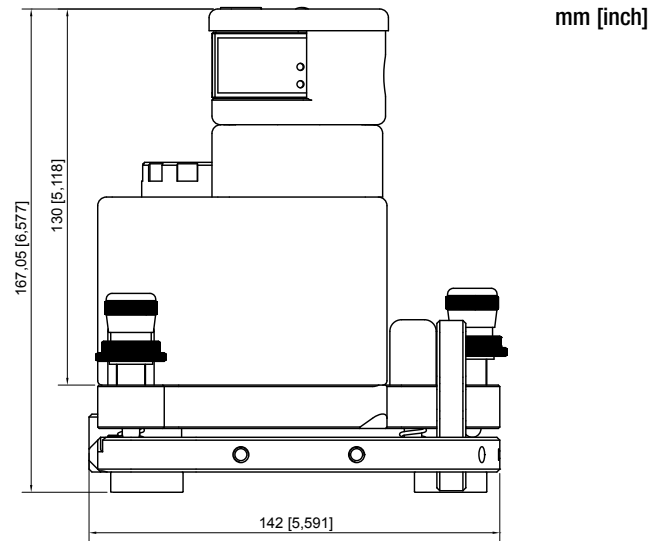
Easy-Laser® is manufactured by Easy-Laser AB, Alfagatan 6, 431 49 Mölndal, Sweden, +46 31 708 63 00, info@easylaser.com, www.easylaser.com © Easy-Laser AB. We reserve the right to make modifications without prior notification. Easy-Laser® is a registered trademark of Easy-Laser AB.

Laser transmitter D22, Part No. 12-0022



**CAUTION**  
LASER RADIATION  
DO NOT STARE INTO BEAM  
CLASS 2 LASER PRODUCT

Type of laser	Diode laser
Laser wavelength	630–680 nm
Laser Safety Class	Class 2
Output power	AVERAGE POWER < 0.6 mW. PULSE ENERGY < 20 nJ. PULSE DURATION 10-17 µs.
Beam diameter	6 mm [1/4"] at aperture
Working area, range	40-metre radius [130"]
Type of battery	1 x R14 (C)
Operating time/battery	approx. 24 hours
Levelling range	± 30 mm/m [± 1.7°]
3 x spirit vials' scaling	0.02 mm/m
Squareness between laser beams	±0.01 mm/m [±0.01 mils/inch] [2 arc sec.]
Flatness of sweep	±0.01 mm/m
Fine turning of laser head	±0.1 mm/m [20 arc sec.]
2 x spirit vials for rotation of head	±5 mm/m
Housing material	Aluminium
Dimensions	WxHxD: 139x169x139 mm [5.47x6.64x5.47"]
Weight	2650 g [5.8 lbs]



Easy-Laser® is manufactured by Easy-Laser AB, Alfagatan 6, 431 49 Mölndal, Sweden, +46 31 708 63 00, info@easylaser.com, www.easylaser.com © Easy-Laser AB. We reserve the right to make modifications without prior notification. Easy-Laser® is a registered trademark of Easy-Laser AB. Complies with: 21 CFR 1040.10 and 1040.11 except for deviations pursuant to Laser Notice No. 50, dated June 24 2007.



## Laser transmitter D22, Part No. 12-0022

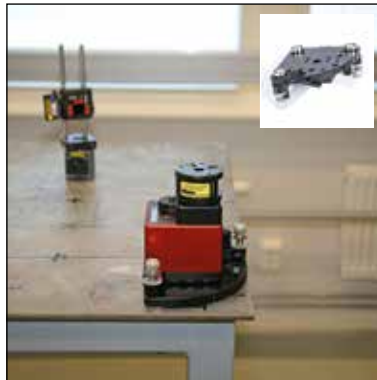


### Examples of use

The D22 can be mounted in various ways. Below are just some examples. The important thing is to always tighten rods, screws and magnets firmly. Also be sure the surface where the magnets are attached is clean. If possible use the safety strap.



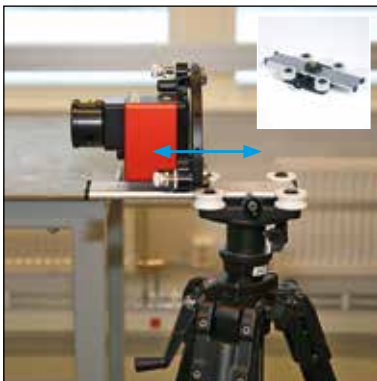
On tripod (Part No. 12-0269).



With super magnets on tilt table (included) directly on surface.



Feet with points (included), on non magnetic surface.



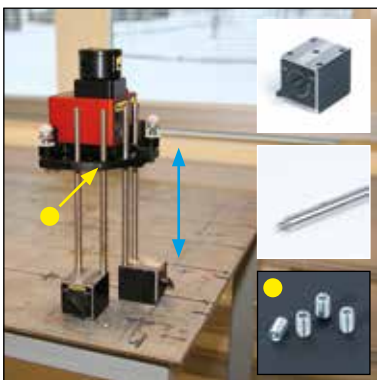
On sliding table for tripod Part No. 12-0202. For easy alignment to detector.



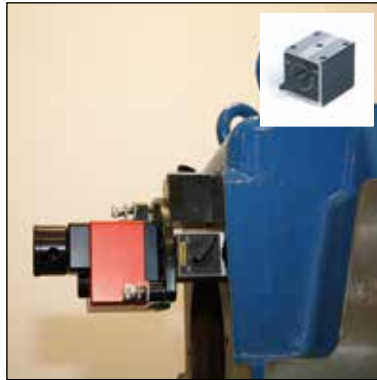
In a machine spindle. Spindle/magnet base pin Part No. 01-1333.



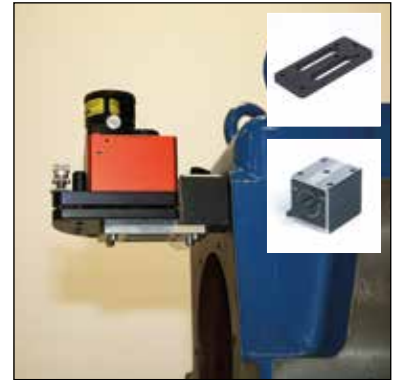
Vertical mounting on roll. Adapter plate Part No. 12-0874.



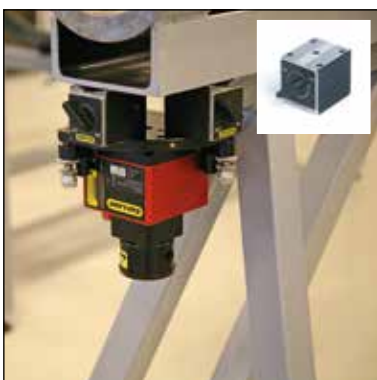
Rigid mounting, still easy to height adjust. Use rods of suitable length.



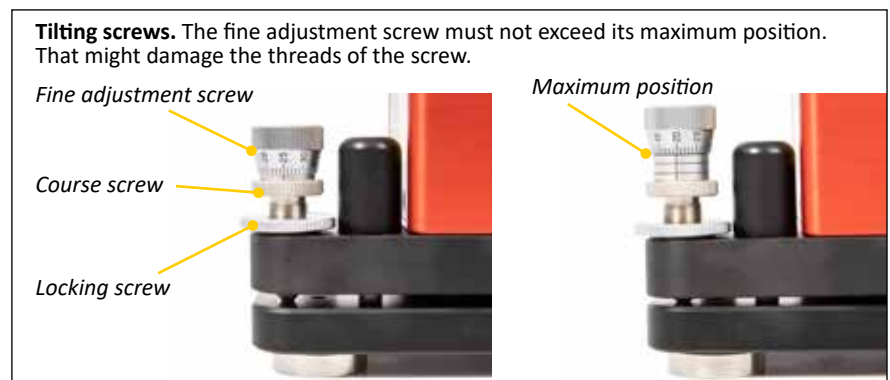
With magnet bases, very rigid mounting.



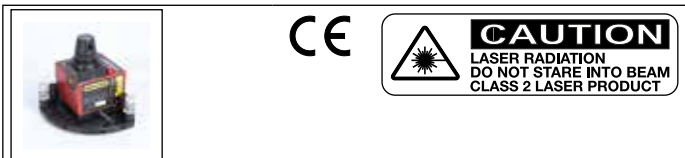
Rigid mounting, horizontal sweep.



With magnet bases, very rigid mounting.

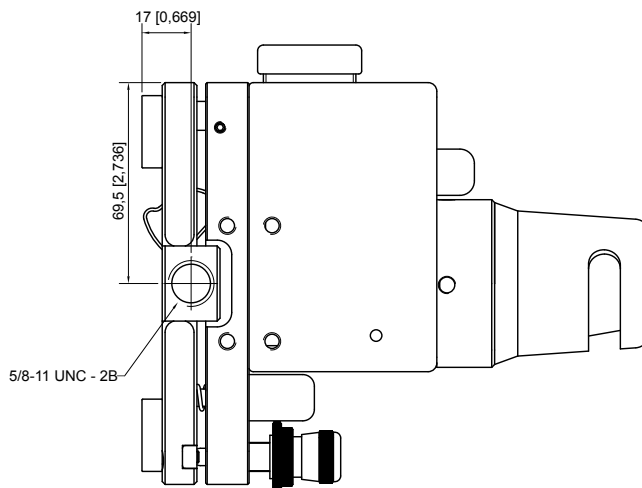
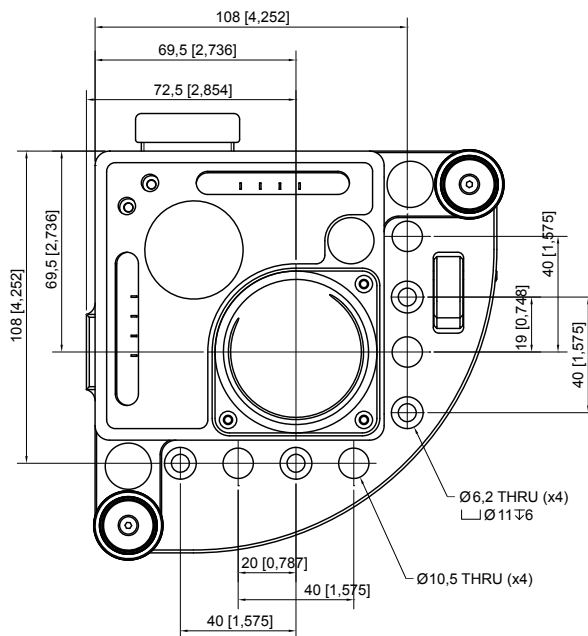
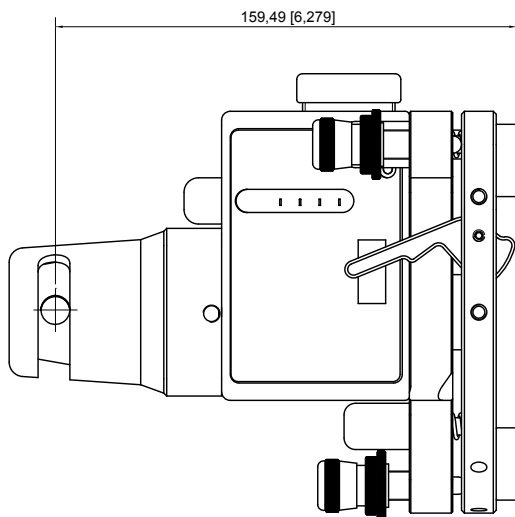
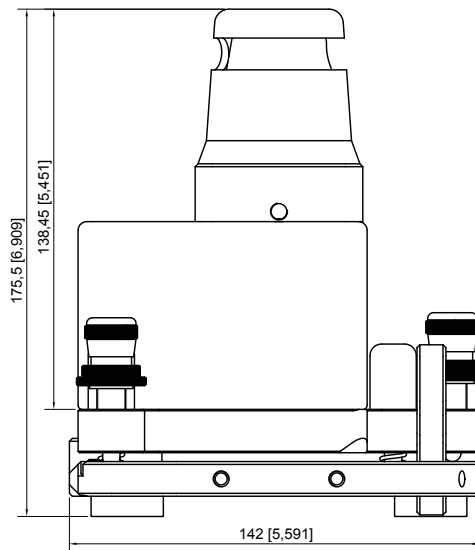


Laser transmitter D23 Spin, Part No. 12-0168



Type of laser	Diode laser
Laser wavelength	630–680 nm
Laser Safety Class	Class 2
Output power	AVERAGE POWER < 1 mW. PULSE ENERGY 2-9 µJ (spin mode) or < 20 nJ (stationary mode). PULSE DURATION 2-9 ms (spin mode) or 10-17 µs (stationary mode).
Beam diameter	6 mm [1/4"] at aperture
Working area, range	20-metre radius [65']
Type of battery	2 x R14 (C)
Operating time/battery	approx. 15 hours
Operating temperature	0–50 °C
Levelling range	± 30 mm/m [± 1.7°]
3 x spirit vials' scaling	0.02 mm/m
Flatness of sweep	0.02 mm/m
Housing material	Aluminium
Dimensions	WxHxD: 139x169x139 mm [5.47x6.64x5.47"]
Weight	2650 g [5.8 lbs]

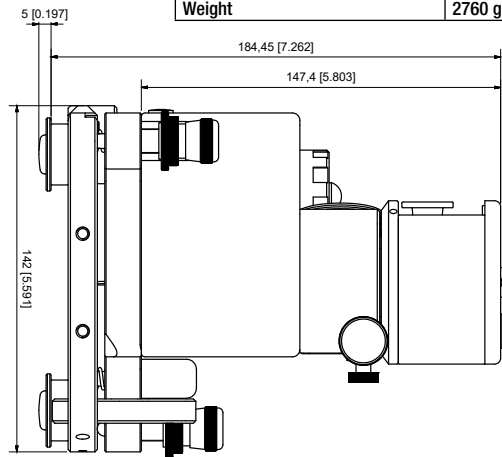
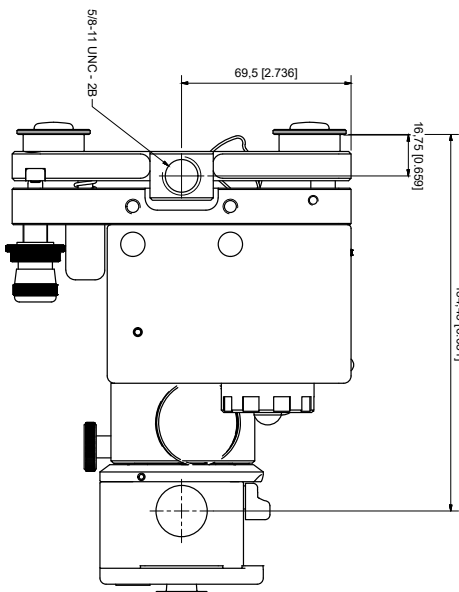
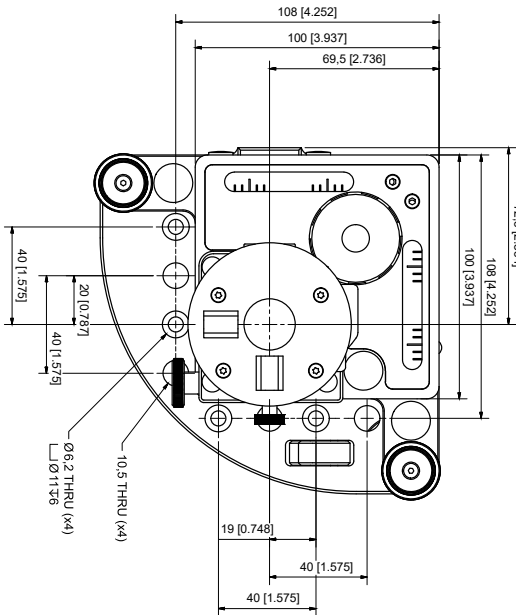
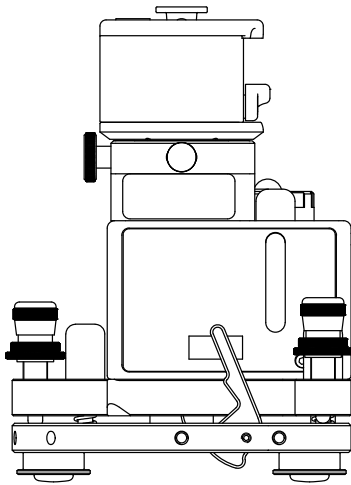
mm [inch]



Easy-Laser® is manufactured by Easy-Laser AB, Alfagatan 6, 431 49 Mölndal, Sweden, +46 31 708 63 00, info@easylaser.com, www.easylaser.com  
 © Easy-Laser AB. We reserve the right to make modifications without prior notification. Easy-Laser® is a registered trademark of Easy-Laser AB.  
 Complies with: 21 CFR 1040.10 and 1040.11 except for deviations pursuant to Laser Notice No. 50, dated June 24 2007.

Laser transmitter D26, Part No. 12-1064

mm [inch]






Type of laser	Diode laser, fiber coupled
Laser wavelength	630–680 nm
Laser Safety Class	Class 2
Output power	AVERAGE POWER < 0.6 mW. PULSE ENERGY < 20 nJ. PULSE DURATION 10-17 µs.
Beam diameter	6 mm [1/4"] at aperture
Working area, range	30-metre radius [99']
Type of battery	1 x R14 (C)
Operating time/battery	approx. 24 hours
Levelling range	±30 mm/m [± 1.7°]
3 x spirit vials' scaling	0.02 mm/m
Straightness of laser beam	±0.001 mm [±0.04 mils]
Squareness between laser beams	±0.004 ±0.002/M mm/m [±0.004 ±0.007/F mils/inch] *
Flatness of sweep, 360° sector	±0.0081 ±0.0055M mm [ ±0.32 ±0.066F mils ] *
Flatness of sweep, 90° sector	±0.0025 ±0.0012M mm [ ±0.10 ±0.015F mils ] *
	* M is the measurement range in meters [m]. F is the measurement range in feet [ft].
Fine turning of laser head	±0.1 mm/m [20 arc sec.]
2 x spirit vials for rotation of head	±5 mm/m
Housing material	Aluminium
Dimensions	WxHxD: 142x184x139 mm [5.59x7.24x5.47"]
Weight	2760 g [6.1 lbs]

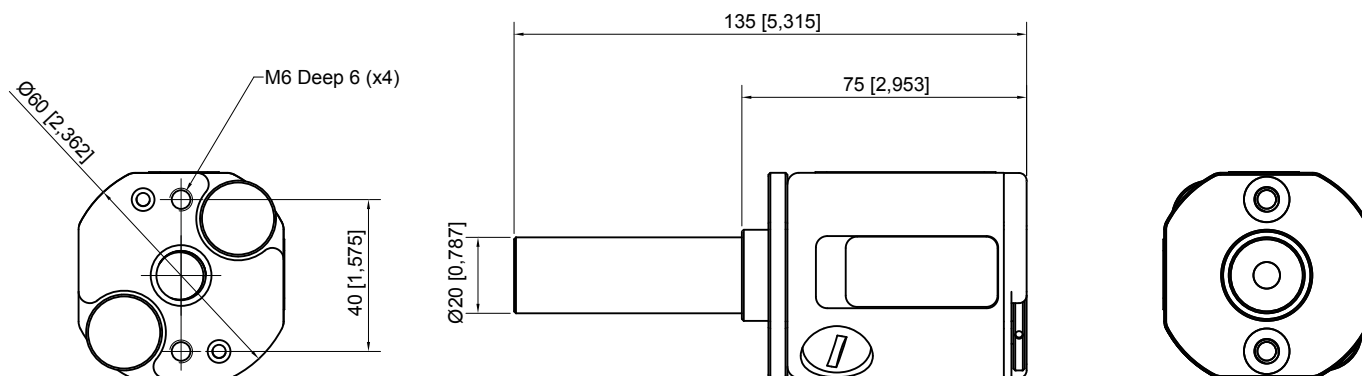


Easy-Laser® is manufactured by Easy-Laser AB, Alfagatan 6, 431 49 Mölndal, Sweden, +46 31 708 63 00, info@easylaser.com, www.easylaser.com  
 © Easy-Laser AB. We reserve the right to make modifications without prior notification. Easy-Laser® is a registered trademark of Easy-Laser AB.  
 Complies with: 21 CFR 1040.10 and 1040.11 except for deviations pursuant to Laser Notice No. 50, dated June 24 2007.

Laser transmitter D146 Spindle, Part No. 12-0146

mm [inch]

	
 	
Type of laser	Diode laser
Laser wavelength	630–680 nm
Laser Safety Class	Class 2
Output power	AVERAGE POWER < 0.6 mW. PULSE ENERGY < 20 nJ. PULSE DURATION 10-17 µs.
Beam diameter	3 mm [1/8"] at aperture
Measurement distance	20 m [65']
Type of battery	1 x R6 (AA)
Operating time/battery	approx. 6 hours
Clamping pin	∅ 20 mm, L= 60 mm [∅ 0.78", L=2.36"]
Housing material	Anodized aluminium
Dimensions (without pin)	∅ 60 mm, L=98 mm [∅ 2.36", L=3.86"]
Weight (with pin)	470 g [16.5 oz]



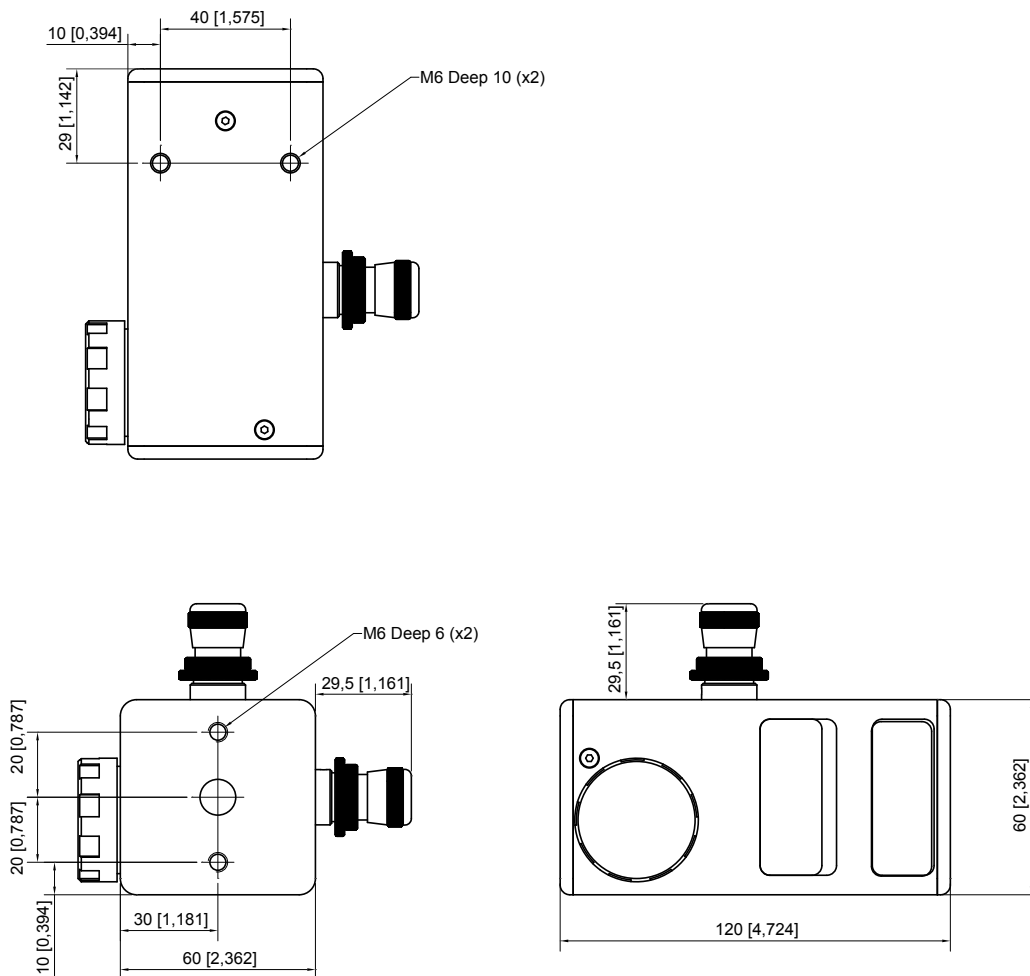


Laser transmitter D75, Part No. 12-0075

mm [inch]



Type of laser	Diode laser
Laser wavelength	630–680 nm
Laser Safety Class	Class 2
Output power	AVERAGE POWER < 0.6 mW. PULSE ENERGY < 20 nJ. PULSE DURATION 10–17 µs.
Beam diameter	6 mm [1/4"] at aperture
Working distance	40-metre [130']
Type of battery	1 x R14 (C)
Operating time/battery	approx. 15 hours
Operating temperature	0–50 °C [32–122 °F]
Laser adjustment	D75: 2 ways ±2° (± 35 mm/m)
Housing material	Aluminium
Dimensions D75	WxHxD: 60x60x120 mm [2.36x2.36x4.72"]
Weight	780 g [27.5 oz]



Easy-Laser® is manufactured by Easy-Laser AB, Alfagatan 6, 431 49 Mölndal, Sweden, +46 31 708 63 00, info@easylaser.com, www.easylaser.com © Easy-Laser AB. We reserve the right to make modifications without prior notification. Easy-Laser® is a registered trademark of Easy-Laser AB. Complies with: 21 CFR 1040.10 and 1040.11 except for deviations pursuant to Laser Notice No. 50, dated June 24 2007.

Laser transmitter D25 with offset hub, Part No. 12-0706



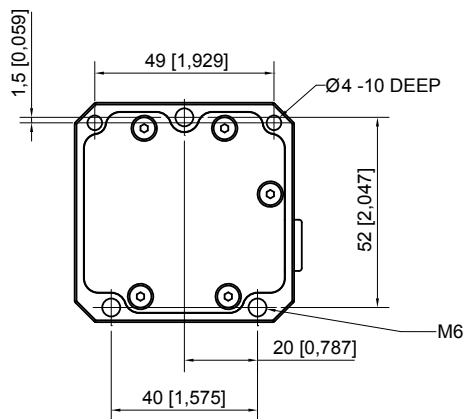
CE




**CAUTION**  
LASER RADIATION  
DO NOT STARE INTO BEAM  
CLASS 2 LASER PRODUCT

Type of laser	Diode laser
Laser wavelength	630–680 nm
Laser Safety Class	Class 2
Output power	AVERAGE POWER < 0.6 mW. PULSE ENERGY < 20 nJ. PULSE DURATION 10-17 µs.
Beam diameter	6 mm at aperture [1/4"]
Measurement range	40 m radius [130']
Battery type	1 x 1.5 V R14 (C)
Operating time / battery	>24 hours
Levelling range	±1.7° (±30 mm/m) in two directions [±30 mils/inch]
Perpendicularity between beams	2 arc sec. (0.01 mm/m) [0.5 mils/inch]
Flatness of sweep	±0.01 mm/m (10µ)
Housing material	Anodised aluminium
Dimensions (transmitter down)	137x137x142 mm [5.4x5.4x5.6"]
Dimensions (transmitter up)	137x137x150 mm [5.4x5.4x5.9"]
Weight	2124 g (battery adaptor excluded) [4.7 lbs]


mm [inch]



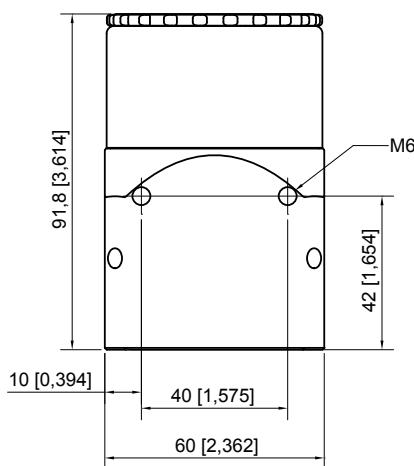
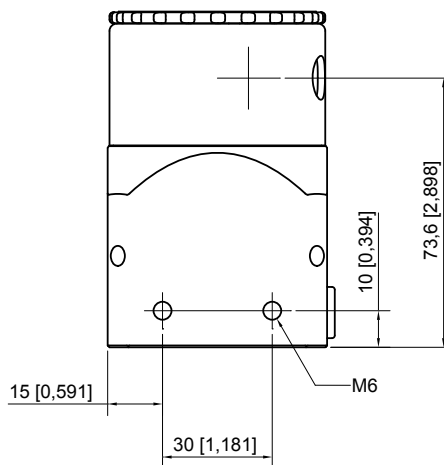
Laser transmitter D25, Part No. 12-0594



CE



**CAUTION**  
LASER RADIATION  
DO NOT STARE INTO BEAM  
CLASS 2 LASER PRODUCT

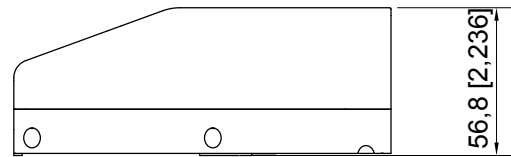
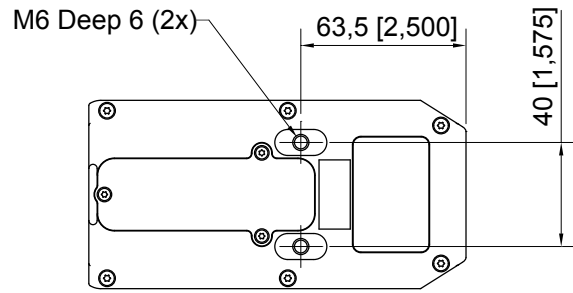


Laser transmitter E30 Long range, Part No. 12-0823

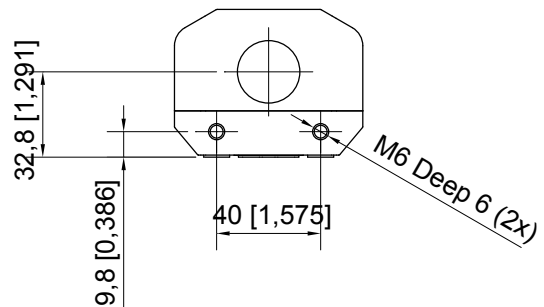
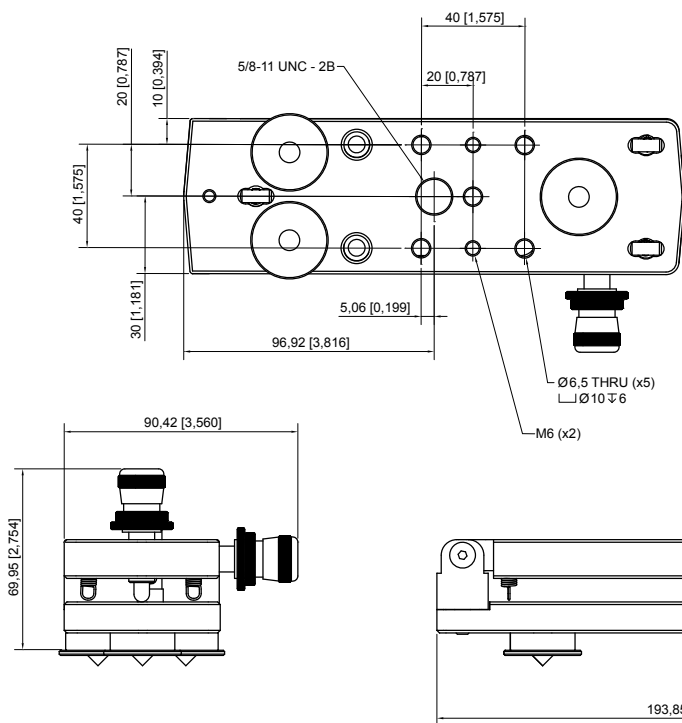
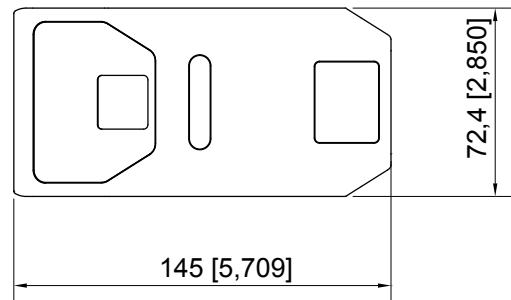
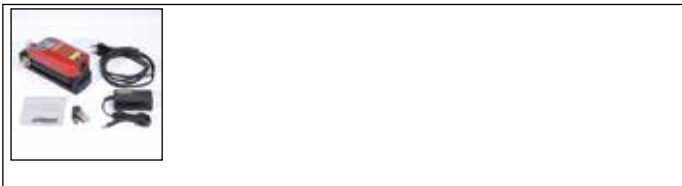


Laser	Diode laser
Laser wave length	630-680 nm
Adjustable modulation	0, 5, 32, 40, 100 KHz
Output power	AVERAGE POWER < 1 mW. PULSE ENERGY < 12-132 nJ (pulsed mode). PULSE DURATION 10-110 us (pulsed mode).
Beam diameter	12 mm (1/2") at aperture
Working area with 20mm detector	0-100 meter [328 ft]
Working area with 30mm detector	0- >200 meter [656 ft]
Type of battery	Li Ion
Operating time	>24 h
Operating temperature	-10-50 °C [14-122 °F]
Environmental protection	IP67
Wireless communication	BT wireless technology (passive). Contains FCC ID: PVH0946, IC: 5325A-0946.
Chock sensor	6 axis mems gyro with inclinometer
Type of display	0-led 96x96 pixel
Charging power	5-12 V DC
Housing material	Anodized aluminium T6060
Dimensions	WxHxD: 145.0x72.4x56.8 mm [5.71x2.85x2.24"]
Weight	620g [21.7 oz]

mm [inch]



Laser transmitter E30 Long range, with tilt table, Part No. 12-0858





Easy-Laser® is manufactured by Easy-Laser AB, Alfagatan 6, 431 49 Mölndal, Sweden, +46 31 708 63 00, info@easylaser.com, www.easylaser.com © Easy-Laser AB. We reserve the right to make modifications without prior notification. Easy-Laser® is a registered trademark of Easy-Laser AB. Complies with: 21 CFR 1040.10 and 1040.11 except for deviations pursuant to Laser Notice No. 50, dated June 24 2007.

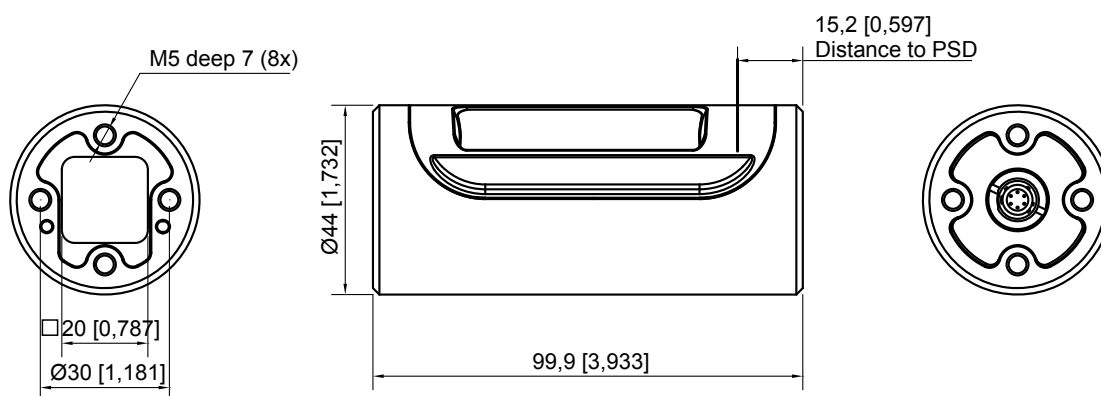




Detector E9, Part No. 12-0759



		
Wireless communication	BT wireless technology. Contains FCC ID: PVH0946 / IC:5325A-0946	
Type of detector	2 axis PSD 20x20 mm [0.78" sq]	
Resolution	0.001 mm [0.05 mils]	
Measurement accuracy	±1µm ±1%	
Thermal sensor	± 1° C accuracy	
Environmental protection	IP class 67	
Internal battery	Li Ion	
Protection	No influence from ambient light	
Housing material	Anodized aluminium	
Dimensions	∅ 45 mm [1.77"], length 100 mm [3.94"]	
Weight	180 g [6.3 oz]	

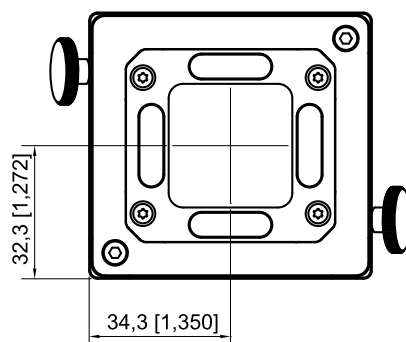
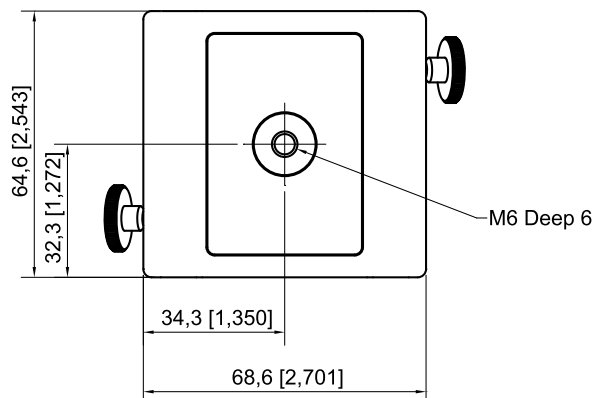
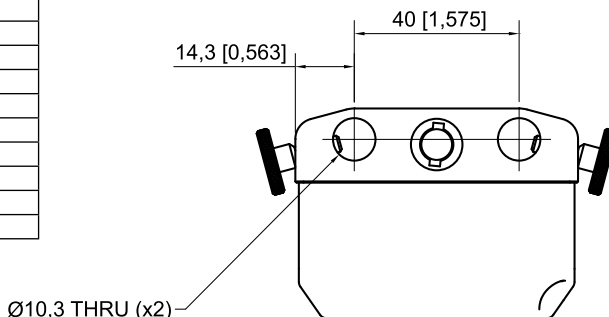
mm [inch]



Detector E3, Part No. 12-0799

mm [inch]

		
Wireless communication	BT wireless technology Contains FCC ID: PVH0946 / IC:5325A-0946	
Type of detector	2 axis PSD 30x30 mm [1.18" sq]	
Resolution	0.001 mm [0.05 mils]	
Measurement accuracy	±1µm ±1%	
Thermal sensor	± 1° C accuracy	
Environmental protection	IP class 65	
Internal battery	Li Ion	
Protection	No influence from ambient light	
Housing material	Anodized aluminium	
Dimensions	WxHxD: 69x65x49 mm [2.7x2.6x1.9"]	
Weight	262 g [9.2 oz]	



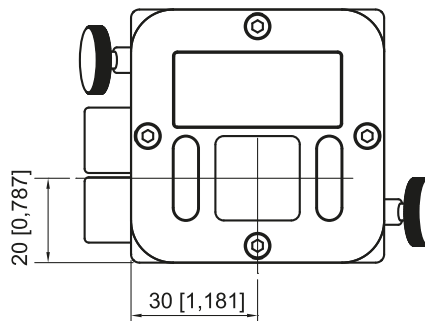
### Detector E7H, HyperPSD™, Part No. 12-0824

mm [inch]



#### Detector E7H, Part No. 12-0824

Type of detector	2 axis PSD 20x20 mm [0.78" sq]
Resolution	0.0001 mm [0.005 mils]
Measurement accuracy	±1µm ±0.5%
Inclinometers	0.1° resolution
Thermal sensors	± 1° C accuracy
Environmental protection	IP Class 66 and 67
Operating temperature	-10–50 °C [14–122 °F]
Internal battery	Li Ion
Housing material	Anodized aluminium
Dimensions	WxHxD: 60x60x42 mm [2.36x2.36x1.65"]
Weight	186 g [6.6 oz]

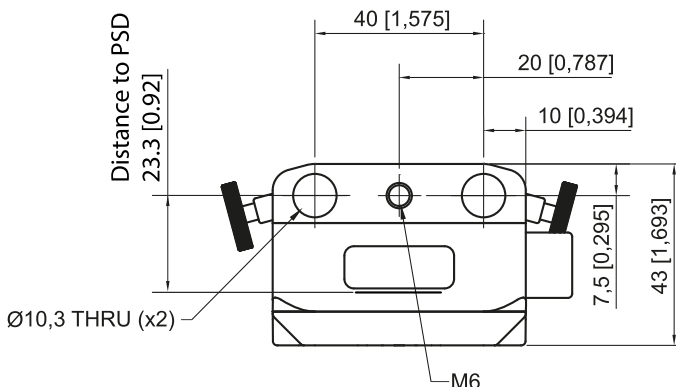


### Detector E7, Part No. 12-0752



#### Detector E7, Part No. 12-0752

Type of detector	2 axis PSD 20x20 mm [0.78" sq]
Resolution	0.001 mm [0.05 mils]
Measurement accuracy	±1µm ±1%
Inclinometers	0.1° resolution
Thermal sensors	± 1° C accuracy
Environmental protection	IP Class 66 and 67
Operating temperature	-10–50 °C [14–122 °F]
Internal battery	Li Ion
Housing material	Anodized aluminium
Dimensions	WxHxD: 60x60x42 mm [2.36x2.36x1.65"]
Weight	186 g [6.6 oz]

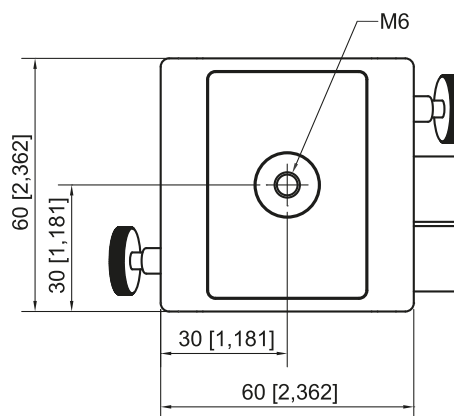


### Detector E5, Part No. 12-0509



#### Detector E5, Part No. 12-0509

Type of detector	2 axis PSD 20x20 mm [0.78" sq]
Dual Detection Technology™	Can detect both spinning and stationary laser beam, but is optimised for spinning laser.
Resolution	0.001 mm [0.05 mils]
Measurement accuracy	Spin ±10µm ±1% / Stationary beam ±10µm ±2%
Inclinometers	0.1° resolution
Thermal sensors	± 1° C accuracy
Environmental protection	IP Class 66 and 67
Operating temperature	-10–50 °C [14–122 °F]
Internal battery	Li Ion
Housing material	Anodized aluminium
Dimensions	WxHxD: 60x60x42 mm [2.36x2.36x1.65"]
Weight	186 g [6.6 oz]



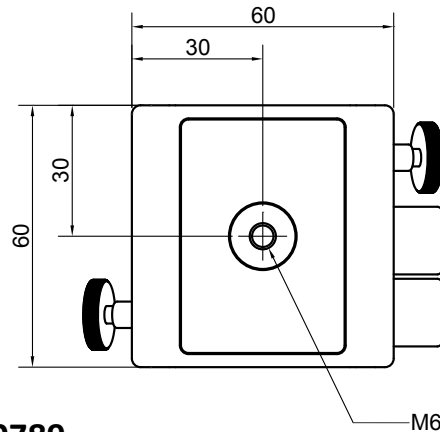
Measuring unit EM/ES, Part No. 12-0434 / 12-0433

mm [inch]



**Measuring unit PSD 20x20 mm. EM: Part No. 12-0434, ES: Part No. 12-0433**

Type of detector	2-axis PSD 20x20 mm [0.78" sq]
Resolution	0.001 mm [0.05 mils]
Measurement accuracy	±1µm ±1%
Measurement range	Up to 20 m [66 feet]
Type of laser	Diode laser
Laser wavelength	630-680 nm
Laser class	Safety class 2
Laser output	AVERAGE POWER < 0.6 mW. PULSE ENERGY < 20 nJ. PULSE DURATION 10-17 µs.
Electronic inclinometer	0,1° resolution
Thermal sensors	± 1° C accuracy
Environmental protection	IP class 66 and 67
Operating temperature	-10-50 °C [14-122 °F]
Internal battery	Li Ion
Housing material	Anodized aluminium
Dimensions	WxHxD: 60x60x42 mm [2.36x2.36x1.65"]
Weight	202 g [7.1 oz]

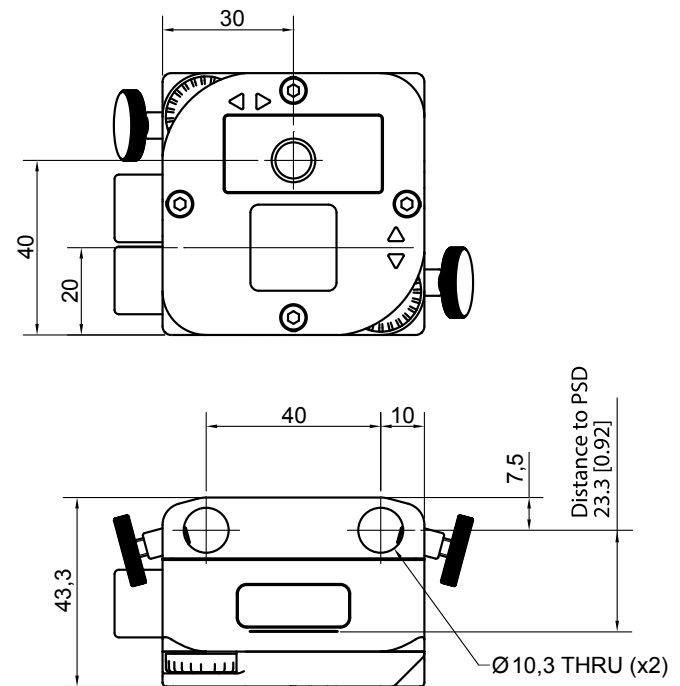


Measuring unit EMH/ESH, Part No. 12-0790 / 12-0789



**Measuring unit PSD 20x20 mm. EMH: Part No. 12-0790, ESH: Part No. 12-0789**

Type of detector	2-axis PSD 20x20 mm [0.78" sq]
Resolution	0.0001 mm [0.005 mils]
Measurement accuracy	±1µm ±0.5%
Measurement range	Up to 20 m [66 feet]
Type of laser	Diode laser
Laser wavelength	630-680 nm
Laser class	Safety class 2
Laser output	AVERAGE POWER < 0.6 mW. PULSE ENERGY < 20 nJ. PULSE DURATION 10-17 µs.
Electronic inclinometer	0,1° resolution
Thermal sensors	± 1° C accuracy
Environmental protection	IP class 66 and 67
Operating temperature	-10-50 °C [14-122 °F]
Internal battery	Li Ion
Housing material	Anodized aluminium
Dimensions	WxHxD: 60x60x42 mm [2.36x2.36x1.65"]
Weight	202 g [7.1 oz]





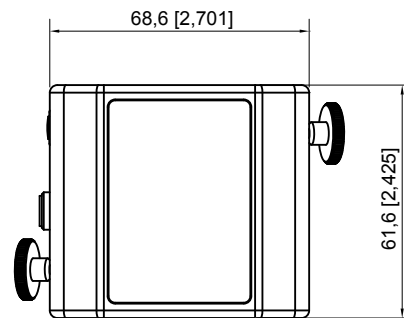
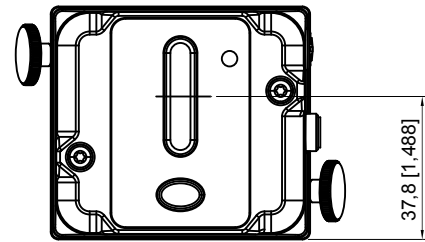
Measuring unit ELM40 / ELS40, Part No. 12-0776 / 12-0777



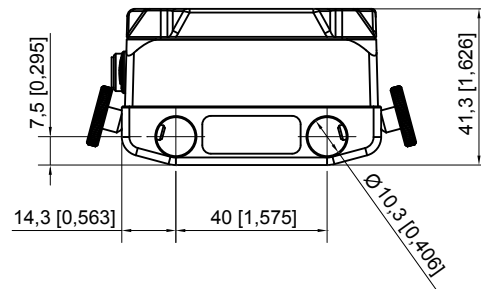
Wireless communication	BT wireless technology Contains FCC ID: PVH0946 / IC:5325A-0946
Internal battery	Li Ion
Type of detector	True PSD 30 mm [1.2"]
Resolution	0.001 mm [0.05 mils]
Measurement accuracy	±5µm ±1%
Measurement range	Up to 10 m [33 feet]
Type of laser	Diode laser
Laser wavelength	630–680 nm
Laser class	Safety class 2
Laser output	AVERAGE POWER < 0.6 mW. PULSE ENERGY < 8 nJ. PULSE DURATION 4-6 µs.
Electronic inclinometer	0.1° resolution
Thermal sensors	-20–60 °C [-4–140 °F]
Environmental protection	IP class 65
Operating temperature	-10–50 °C [14–122 °F]
Housing material	Anodized aluminium / ABS plastics
Dimensions	WxHxD: 69.0x61.5x41.5 mm [2.72x2.42x1.63"]
Weight	164 g [5.8 oz]

ELM40/ELS40

mm [inch]



ELM40/ELS40  
ELM20/ELS20

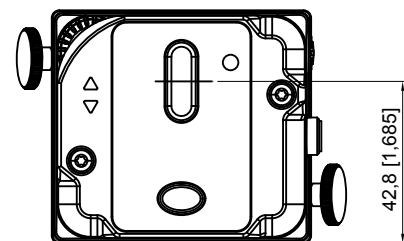


Measuring unit ELM20 / ELS20, Part No. 12-0746 / 12-0747



<b>Measuring unit PSD 20 mm. ELM20: Part No. 12-0746, ELS20: Part No. 12-0747</b>	
Wireless communication	BT wireless technology Contains FCC ID: PVH0946 / IC:5325A-0946
Internal battery	Li Ion
Type of detector	True PSD 20 mm [0.79"]
Resolution	0.01 mm [0.5 mils]
Measurement accuracy	±5µm ±1%
Measurement range	Up to 3 m [10 feet]
Type of laser	Diode laser
Laser wavelength	630–680 nm
Laser class	Safety class 2
Laser output	AVERAGE POWER < 0.6 mW. PULSE ENERGY < 8 nJ. PULSE DURATION 4-6 µs.
Electronic inclinometer	0.1° resolution
Thermal sensors	-20–60 °C
Environmental protection	IP class 65
Operating temperature	-10–50 °C [14–122 °F]
Housing material	Anodized aluminium / ABS plastics
Dimensions	WxHxD: 69.0x61.5x41.5 mm [2.72"x2.42"x1.63"]
Weight	176 g [6.2 oz]

ELM20/ELS20



Easy-Laser® is manufactured by Easy-Laser AB, Alfagatan 6, 431 49 Mölndal, Sweden, +46 31 708 63 00, info@easylaser.com, www.easylaser.com  
© Easy-Laser AB. We reserve the right to make modifications without prior notification. Easy-Laser® is a registered trademark of Easy-Laser AB.  
Complies with: 21 CFR 1040.10 and 1040.11 except for deviations pursuant to Laser Notice No. 50, dated June 24 2007.

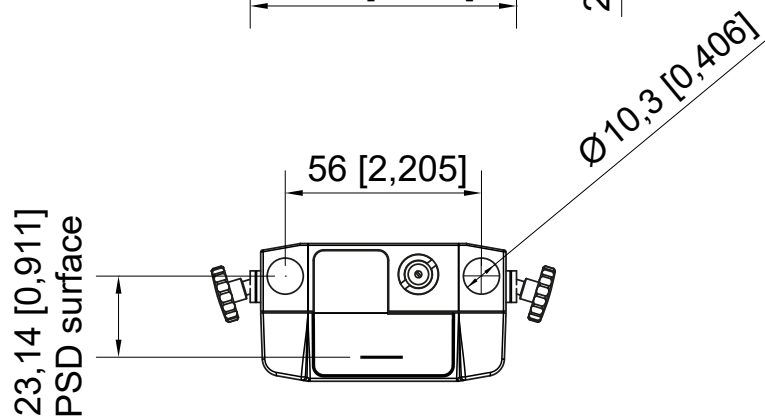
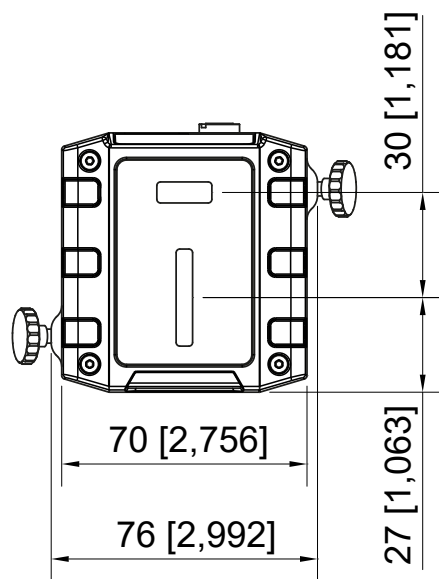
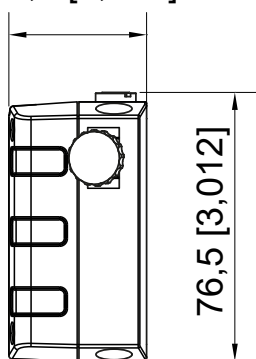
Measuring unit XT40-M, XT40-S, Part No. 12-0943 / 12-0944

mm [inch]



<b>Measuring unit PSD 30 mm. XT40-M: Part No. 12-0943, XT40-S: Part No. 12-0944</b>	
Type of detector	TruePSD 30 mm [1.2"]
Communication	BT wireless technology Contains FCC ID: Q0QBGM111 / IC:5123A-BGM111
Battery type	Heavy duty Li Ion chargeable
Operating time	Up to 24 h continuously
Resolution	0.001 mm [0.05 mils]
Measurement accuracy	±5µm ±1%
Measurement range	Up to 10 m [33 feet]
Type of laser	Diode laser
Laser wavelength	630-680 nm
Laser class	Safety class 2
Laser output	AVERAGE POWER < 0.6 mW. PULSE ENERGY < 8 nJ. PULSE DURATION 4-6 µs.
Electronic inclinometer	0.1° resolution
Environmental protection	IP class 66 and 67
Operating temperature	-10-50 °C [14-122 °F]
Storage temperature	-20-50 °C [-4-122 °F]
Relative humidity	10-95%
OLED display	128x64 pixels
Housing material	Anodized aluminium + PC/ABS + TPE
Dimensions	WxHxD: 76x76.5x39.3 mm [3.0x3.0x1.5"]
Weight	245 g [8.6 oz]

39,3 [1,547]



Easy-Laser® is manufactured by Easy-Laser AB, Alfagatan 6, 431 49 Mölndal, Sweden, +46 31 708 63 00, info@easylaser.com, www.easylaser.com  
 © Easy-Laser AB. We reserve the right to make modifications without prior notification. Easy-Laser® is a registered trademark of Easy-Laser AB.  
 Complies with: 21 CFR 1040.10 and 1040.11 except for deviations pursuant to Laser Notice No. 50, dated June 24 2007.

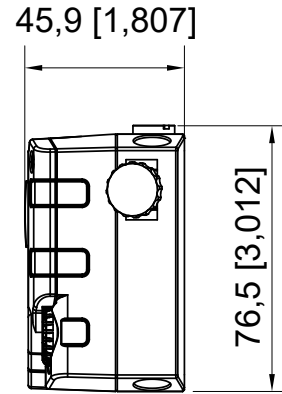
Measuring unit XT60-M, XT60-S, Part No. 12-1028 / 12-1029

mm [inch]



**Measuring unit PSD 20x20 mm. XT60-M: Part No. 12-1028, XT60-S: Part No. 12-1029**

Type of detector	1-axis TruePSD 20x20 mm [0.79x0.79"]
Communication	BT wireless technology Contains FCC ID: Q0QBGM111 / IC:5123A-BGM111
Battery type	Heavy duty Li Ion chargeable
Operating time	Up to 24 h continuously
Resolution	0.001 mm [0.05 mils]
Measurement accuracy	±1µm ±1%
Measurement range	Up to 20 m [66 feet]
Type of laser	Diode laser
Laser wavelength	630-680 nm
Laser class	Safety class 2
Laser output	AVERAGE POWER < 0.6 mW. PULSE ENERGY < 20 nJ. PULSE DURATION 10-17 µs. WAVELENGTH 630-680 nm.
Electronic inclinometer	0.1° resolution
Environmental protection	IP class 66 and 67
Operating temperature	-10-50 °C [14-122 °F]
Storage temperature	-20-50 °C [-4-122 °F]
Relative humidity	10-95%
OLED display	128x64 pixels
Housing material	Anodized aluminium + PC/ABS + TPE
Dimensions	WxHxD: 76x76.5x45.9 mm [3.0x3.0x1.8"]
Weight	272 g [9.6 oz]

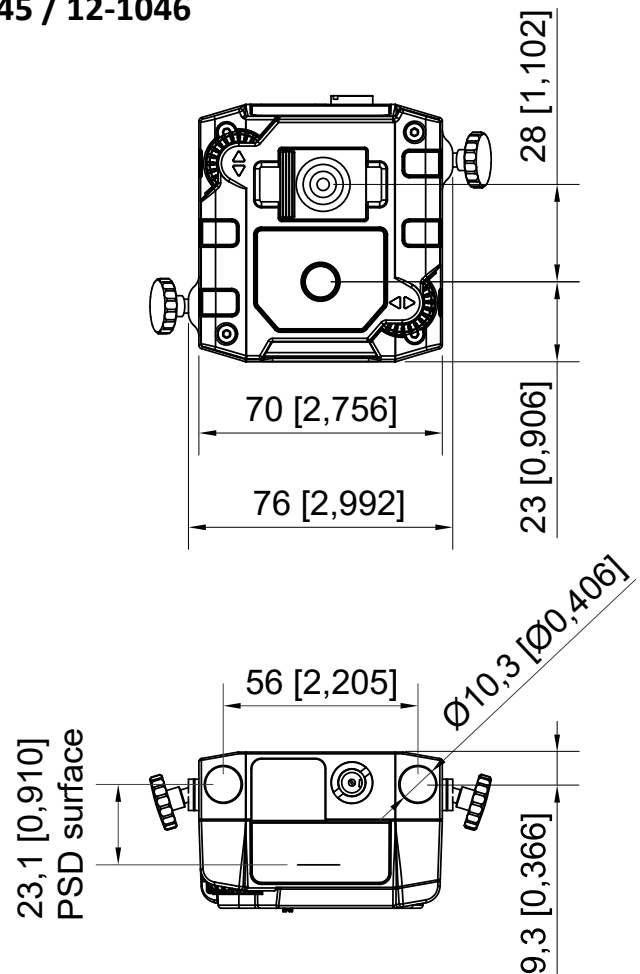


Measuring unit XT70-M, XT70-S, Part No. 12-1045 / 12-1046



**Measuring unit PSD 20x20 mm. XT70-M: Part No. 12-1045, XT70-S: Part No. 12-1046**

Type of detector	2-axis TruePSD 20x20 mm [0.79x0.79"]
Communication	BT wireless technology Contains FCC ID: Q0QBGM111 / IC:5123A-BGM111
Battery type	Heavy duty Li Ion chargeable
Operating time	Up to 24 h continuously
Resolution	0.001 mm [0.05 mils]
Measurement accuracy	±1µm ±1%
Measurement range	Up to 20 m [66 feet]
Type of laser	Diode laser
Laser wavelength	630-680 nm
Laser class	Safety class 2
Laser output	AVERAGE POWER < 0.6 mW. PULSE ENERGY < 20 nJ. PULSE DURATION 10-17 µs. WAVELENGTH 630-680 nm.
Electronic inclinometer	0.1° resolution
Environmental protection	IP class 66 and 67
Operating temperature	-10-50 °C [14-122 °F]
Storage temperature	-20-50 °C [-4-122 °F]
Relative humidity	10-95%
OLED display	128x64 pixels
Housing material	Anodized aluminium + PC/ABS + TPE
Dimensions	WxHxD: 76x76.5x45.9 mm [3.0x3.0x1.8"]
Weight	272 g [9.6 oz]



Easy-Laser® is manufactured by Easy-Laser AB, Alfagatan 6, 431 49 Mölndal, Sweden, +46 31 708 63 00, info@easylaser.com, www.easylaser.com © Easy-Laser AB. We reserve the right to make modifications without prior notification. Easy-Laser® is a registered trademark of Easy-Laser AB. Complies with: 21 CFR 1040.10 and 1040.11 except for deviations pursuant to Laser Notice No. 50, dated June 24 2007.

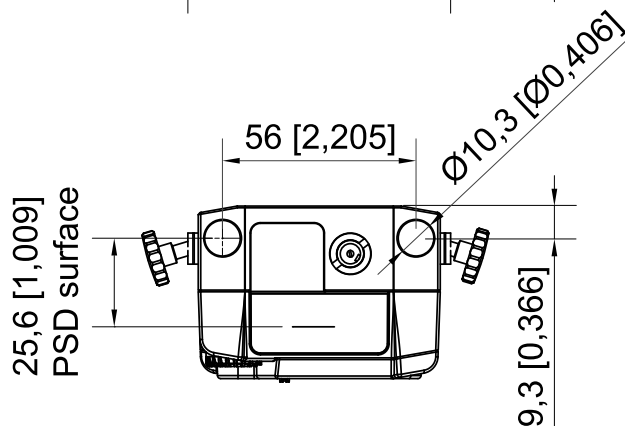
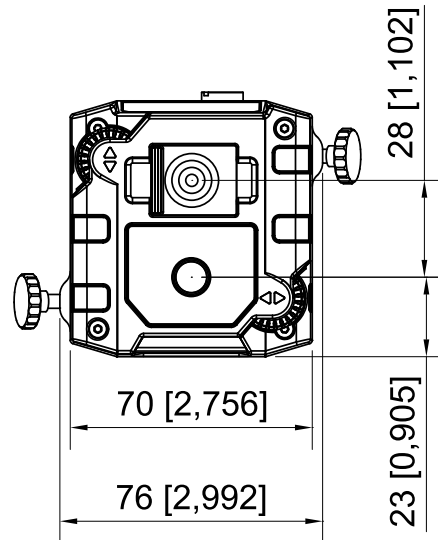
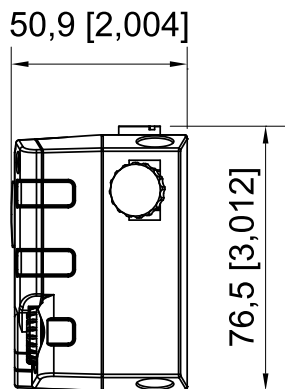
Measuring unit XT50-M, XT50-S, Part No. 12-1026 / 12-1027

mm [inch]



<b>Measuring unit PSD 20x20 mm. XT50-M: Part No. 12-1026, XT50-S: Part No. 12-1027</b>	
Type of detector	TruePSD 1 axis 20x20 mm [0.79x0.79"]
Communication	BT wireless technology Contains FCC ID: Q0QBGM111 / IC:5123A-BGM111
Battery type	Heavy duty Li Ion chargeable
Operating time	Up to 20 h continuously
Resolution	0.001 mm [0.05 mils]
Measurement accuracy	±1µm ±1%
Measurement range	Up to 20 m [66 feet]
Type of laser	Diode laser
Laser wavelength	630-680 nm
Laser class	Safety class 2
Laser output	AVERAGE POWER < 0.6 mW. PULSE ENERGY < 20 nJ. PULSE DURATION 10-17 µs. WAVELENGTH 630-680 nm.
Electronic inclinometer	0.1° resolution
Environmental protection	IP class 66 and 67
Operating temperature	-10-50 °C [14-122 °F]
Storage temperature	-20-50 °C [-4-122 °F]
Relative humidity	10-95%
OLED display	128x64 pixels
Housing material	Anodized aluminium + PC/ABS + TPE
Dimensions	WxHxD: 76x76.5x50.9 mm [3.0x3.0x2.0"]
Weight	316 g [11.1 oz]

Easy-Laser® XT50 measuring units are approved in accordance with the latest ATEX directive.  
 EX certificate number: Presafe 17 ATEX 10552X, IECEx PRE 17.0049X  
 ATEX code: II 2 G  
 EX classification: Ex ib op is IIC T4 Gb, -10°C ≤ Ta ≤ +50°C  
 II=Indicates that the instrument is approved for all areas except mines  
 2=Unit category. Intrinsicly safe equipment for zones 1 and 2 (likely occurrence of explosive atmosphere)  
 G=Indicates atmosphere: Gas, Vapours, Mists  
 ib=Type of protection from an explosion  
 IIC=Explosion group  
 T4=Temperature class





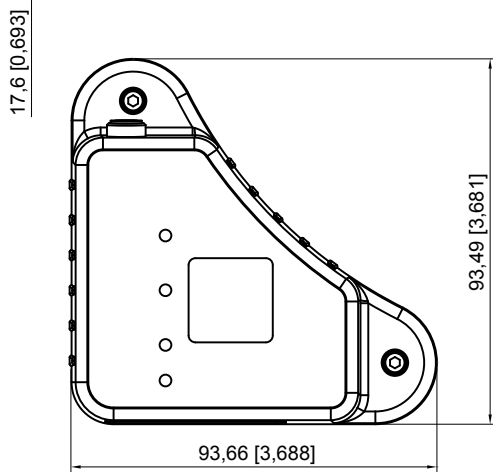
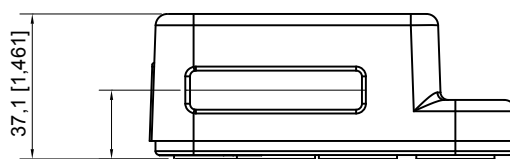
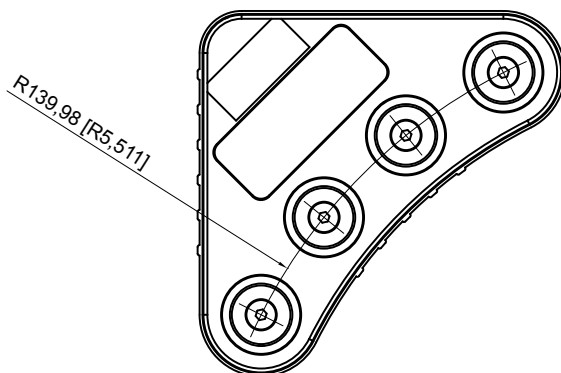
Easy-Laser® is manufactured by Easy-Laser AB, Alfagatan 6, 431 49 Mölndal, Sweden, +46 31 708 63 00, info@easylaser.com, www.easylaser.com  
 © Easy-Laser AB. We reserve the right to make modifications without prior notification. Easy-Laser® is a registered trademark of Easy-Laser AB.  
 Complies with: 21 CFR 1040.10 and 1040.11 except for deviations pursuant to Laser Notice No. 50, dated June 24 2007.




E- and XT-series wireless detector for BTA, Part No. 12-1054

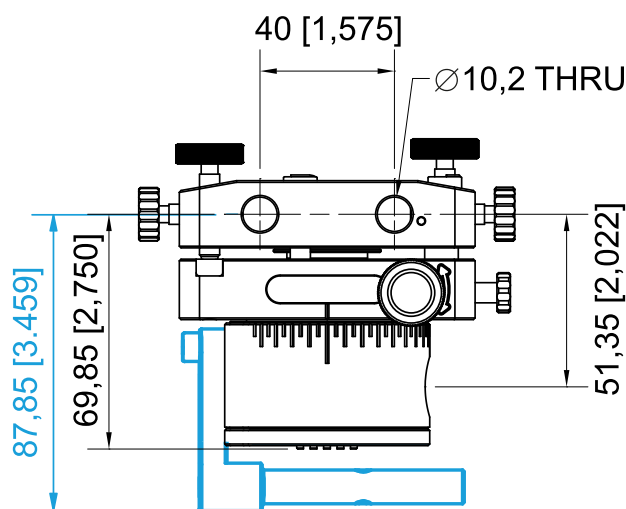
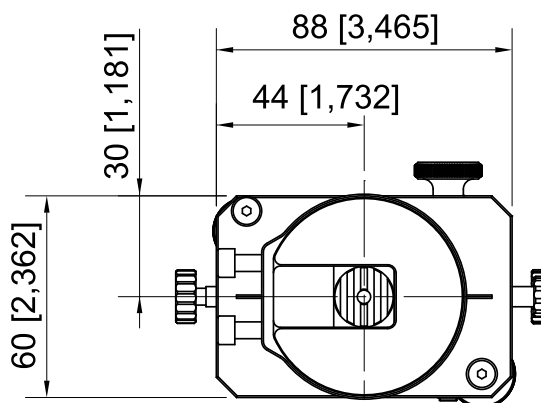
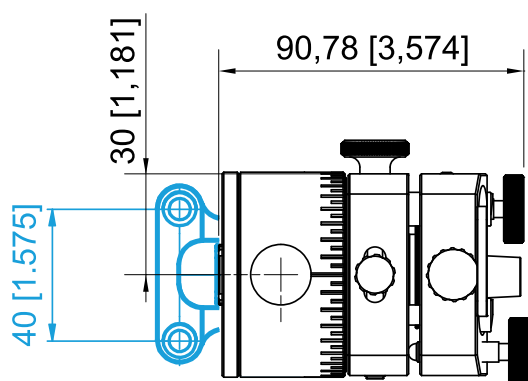
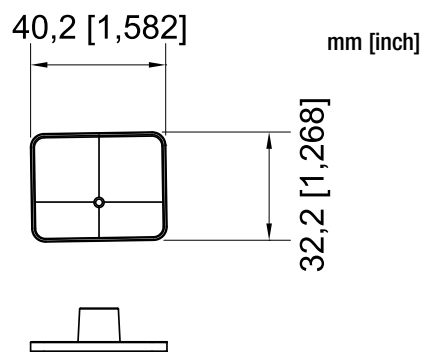
mm [inch]

		
Sheave diameters	>60 mm [2.5"]	
Measurement distance	Up to 3 m [9.8'] between Transmitter and Detector	
Measurement range	Axial offset: ±3 mm [0.12"]. Angular value: ±8°	
Displayed resolution	Offset: 0.1°, Angle: 0.01°	
Display type	Yellow OLED 96x96 pixels	
Connection	BT wireless technology Contains FCC ID: Q0QBT121 / IC: 5123A-BGTBT121	
Battery type	Li Ion	
Battery operation	5 hours continuously	
Material	ABS plastics / Anodized aluminium	
Dimensions	WxHxD: 95x95x36 mm [3.7x3.7x1.4"]	
Weight	190 g [6.7 oz]	

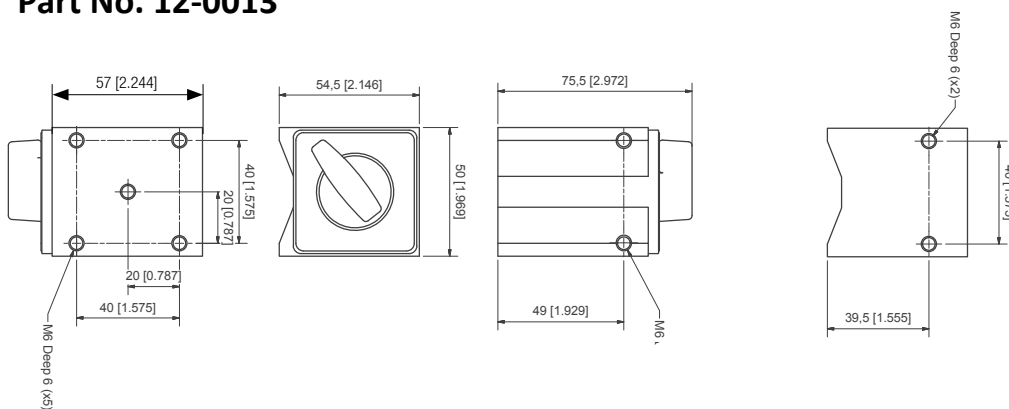


Angular prism, Part No. 12-1136

	
Turning range	360°
Fine turning	0.1 mm/m [20 arc sec.]
Parallelism accuracy	$\pm 0.005 \pm 0.002/M$ mm/m [ $\pm 0.005 \pm 0.007/F$ mils/inch] *
	* M is the measurement range in meters [m]. F is the measurement range in feet [ft].
Aperture size	18 mm [3/4"]
Knob and rod material	Stainless steel
Housing material	Anodized aluminium
Weight (with detector bracket)	860 g [1.9 lbs]

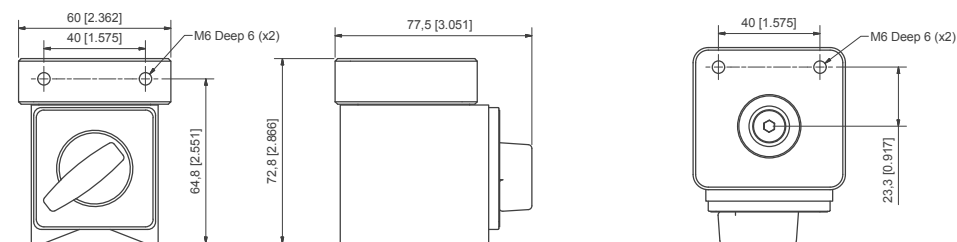


**Magnet base, Part No. 12-0013**

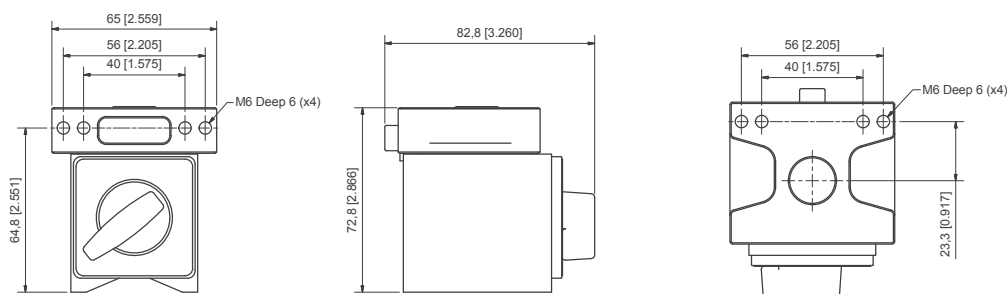


mm [inch]

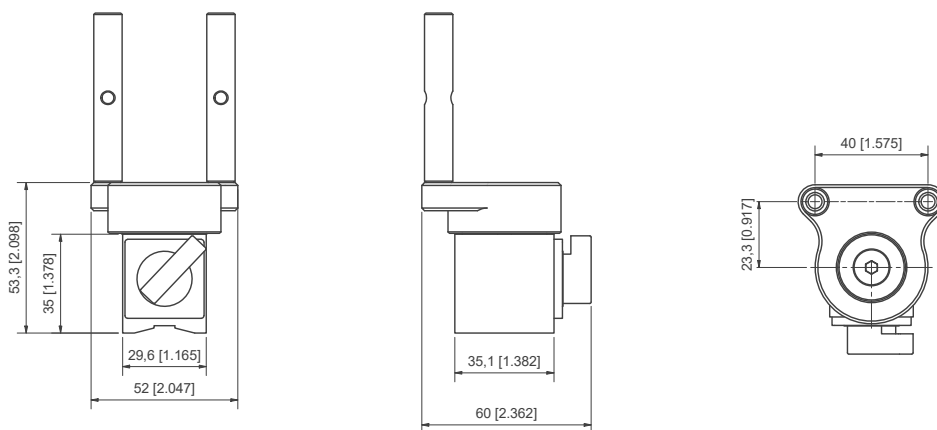
**Magnet base with turnable head, Part No. 12-0045**



**Magnet base with turnable head, Part No. 12-1133**



**Small magnet base with turnable head, Part No. 12-0696**



<b>Part No.</b>	<b>Description</b>	<b>Page</b>		
01-0039	Locking screw.....	71	03-1323	Printer for D-series..... 67
01-0042	Nut (for chain).....	71	03-1326	Stinger for XT280..... 70
01-0045	Barrel nut.....	71	03-1327	Accelerometer magnet for XT280..... 70
01-0048	Rod tightening tool, 4 mm.....	71	03-1332	Demo unit, steel..... 70
01-0076	Offset bracket, D-series.....	81	<b>03-1338</b>	<b>Tripod head..... 74</b>
01-0139	Machine/Magnet base pin for D22, short.....	57	<b>03-1406</b>	<b>Safety strap..... 69</b>
01-0618	Top for D23.....	71		
01-0777	Tube adapters for E9 and D157.....	52	04-0053	Sticker "This machine is aligned with Easy-Laser®" .. 73
01-0847	Shim remover.....	76	04-0124	Easy-Laser® logo sticker, large..... 75
01-0938	Rod, 30 mm.....	51	04-0125	Easy-Laser® logo sticker, small..... 75
01-1095	Key holder.....	75	<b>04-0146</b>	<b>Laser target sticker..... 73</b>
01-1165	Offset bracket for E-series.....	49	04-0147	Bar code sticker..... 83
01-1333	Machine/Magnet base pin for D22, long.....	57	04-0252	Easy-Laser® logo stickers on sheet..... 75
01-1352	Sunvisor for D6.....	81	04-0307	QR code sticker..... 73
01-1379	Protective case for display unit E418.....	69	05-0792	Notebook for the technician..... 75
<b>01-1402</b>	<b>Screw for safety strap..... 69</b>		06-0001	CD..... 81
01-1768	Angle bracket.....	84		
01-1866	Locking screw for XT units.....	71	12-0001	Measuring unit M, D-series, PSD 10x10mm..... 79
01-1945	LCD display protection film.....	72	12-0002	Measuring unit S, D-series, PSD 10x10mm..... 79
01-1952	Replaced by 12-1039.....	55	12-0005	Detector D5..... 79
01-1953	Locking screw.....	71	12-0012	Measuring tape, 2m [6.5']..... 81
01-2222	Tube adapters for dual barrels.....	52	12-0013	Magnet base..... 46
01-2232	Tripod adaptor for Angular prism.....	61	12-0016	V-bracket with chain..... 48
			12-0022	Laser transmitter D22..... 39
			12-0032	Detector Linebore..... 76
03-0032	Printer 220 V.....	81	12-0033	Standard chain..... 84
03-0041	Thermo paper roll.....	72	12-0034	System D650 Linebore..... 77
03-0042	Protective case for older display units.....	72	12-0039	Sliding bracket..... 82
03-0061	Screw M6x14.....	71	12-0045	Magnet base with turnable head..... 46
03-0241	Printer cable.....	65	12-0046	Angular prism D46..... 83
03-0341	Printer 110 V.....	82	12-0059	Rods, 60 mm [2.36"]..... 51
03-0333	PC cable.....	65	12-0060	Rods, 240 mm [9.44"]..... 52
03-0505	Screw for D23 top cover.....	71	12-0074	Red cable 2.0 m [78.7"]..... 64
03-0591	Padded case for BTA.....	72	12-0075	Laser transmitter D75..... 39
03-0592	Protective case for display unit D279.....	72	12-0108	Red cable, extension, 5.0m [16.4"]..... 65
03-0722	USB/RS232 adaptor.....	65	12-0110	Tilt table..... 56
03-0736	Case for BTA Ex.....	72	12-0116	Measuring unit M, D-series, PSD 18x18mm, 2 axis... 79
03-0769	Aluminium beam, 500 mm [19.68"].....	59	12-0119	Measuring unit M, D-series, PSD 18x18mm..... 79
03-0770	Aluminium beam, 600 mm [23.62"].....	59	12-0120	Measuring unit S, D-series, PSD 18x18mm..... 79
03-0771	Aluminium beam, 1100 mm [43.31"].....	59	12-0125	Cardan bracket set D-series..... 51
03-0792	Plastic case for small items.....	68	12-0128	Extension chain, set..... 49
03-0799	Protective case for display unit D336.....	72	12-0130	V-bracket..... 71
03-0810	Replaced by 01-1953.....	71	12-0132	Offset hub for D75..... 76
03-0821	Replaced by 03-1243.....	66	12-0133	System D600 Machine..... 77
03-0822	USB A – USB B cable.....	65	12-0134	Foot set for linebore arms..... 54
03-0824	Measuring tape, 3 m [9.8'].....	69	12-0137	Sliding bracket with turnable head..... 51
03-0842	Measuring tape, 5 m [16.4'].....	69	12-0138	Sliding bracket with magnets and probe..... 51
03-0878	Cleaning cloth.....	72	12-0139	Target Cardan..... 63
03-0892	Charger cable, EUR.....	66	12-0143	Foot set for linebore for 100–150mm..... 54
03-0893	Charger cable, USA.....	66	12-0146	Laser transmitter D146..... 39
03-0894	Charger cable, UK.....	66	12-0149	Rod bracket for laser D75..... 56
03-0895	Charger cable, AUS.....	66	12-0154	Magnets for offset hub arms..... 55
03-0901	HDMI to HDMI cable.....	66	12-0157	Detector D157..... 80
03-0902	VGA to VGA cable.....	66	12-0168	Laser transmitter D23..... 39
03-0909	Transportation case.....	69	12-0169	Rotating detector bracket for rods..... 46
03-0914	USB memory.....	75	12-0179	Red cable 1.0m [39.3"]..... 65
03-0967	Hexagon wrench set.....	69	12-0180	Red cable, extension, 10.0 m [32.8']..... 65
03-0972	LCD display protection film.....	72	12-0185	System D660 Turbine..... 76
03-1004	Printer for E-series.....	67	12-0187	Bracket for laser D75..... 56
03-1007	Carrying case for system E540 and E530.....	81	12-0188	Side support for D5..... 60
03-1043	USB cable for streaming values.....	66	12-0189	Side support for D75..... 60
03-1044	Back pack system, medium.....	82	12-0193	System D630 Extruder..... 77
03-1045	Back pack system, large.....	82	12-0199	Large target extruder..... 81
03-1046	Luggage trolley.....	69	12-0201	Detector D6..... 76
03-1059	Carrying case for system E420.....	68	12-0202	Sliding table for tripod..... 60
03-1184	Vapor capsule.....	72	12-0203	Parallelity kit..... 60
03-1193	White Vaseline.....	84	12-0205	AC adaptor for D22 and D75..... 81
03-1203	DC cable extension 1.5 m.....	64	12-0207	System D505 Shaft..... 77
03-1243	Charger for E-series Display unit.....	66	12-0213	Target for BTA, 15 mm..... 71
03-1256	Charger for XT-series.....	66	12-0220	System D800 Spin..... 76
03-1291	Gauge block.....	59	12-0224	System D670 Parallelism..... 76



12-0230	Magnet base with linear digital scale .....	47	12-0494	Red cable 0.16m [6.3"] .....	64
12-0231	System D525 Shaft .....	77	12-0495	Shoulder strap for display unit E418 .....	69
12-0235	System D525 B Shaft/Geometry .....	77	12-0508	Radial support for magnet base .....	47
12-0236	Demo unit Sheave .....	70	12-0509	Detector E5 .....	41
12-0237	Transportation case cardan .....	68	12-0510	Slide bracket 300mm .....	53
12-0246	Laser transmitter D246 .....	76	12-0525	System E910 Flange .....	33
12-0248	Detector bracket Long stroke for turbine .....	76	12-0526	System E915 Flange Spin .....	32
12-0255	Detector 30mm .....	79	12-0537	Offset hub with counterlock and tilt function .....	54
12-0256	Measuring unit M, D-series, PSD 30x30 mm .....	79	12-0538	Detector Extruder 20mm .....	76
12-0258	Shims case, 180 shims .....	73	12-0543	Slide bracket 200mm .....	53
12-0259	Shims case, 360 shims .....	73	12-0544	Target 100x100m .....	62
12-0260	Measuring unit S, D-series, PSD 30x30 mm .....	79	12-0552	System D640 Machine tool .....	77
12-0269	Tripod .....	60	12-0553	Bore bracket adapter plate .....	53
12-0279	Display unit D279 .....	80	12-0568	Mounting pin for D146 .....	58
12-0282	Extension arms linebore .....	55	12-0573	VGA kit .....	83
12-0283	Vibrometer probe D283 .....	82	12-0579	Magnet base with adapter Ex .....	47
12-0289	Red cable 0.4m [15.7"] .....	64	12-0580	Axial extension arms, linebore .....	55
12-0294	AC adaptor for D23 .....	81	12-0583	Pointing bracket on magnet base .....	47
12-0300	System D450 Shaft .....	77	12-0585	Charger 12–36 V for car .....	83
12-0303	Sliding bracket with magnets .....	50	12-0587	Sun visor for E-series .....	61
12-0308	Detector/display unit for belt alignment .....	78	12-0588	Target E-series .....	62
12-0309	Laser transmitter for sheave alignment systems .....	40	12-0590	AC adaptor for display unit D279 .....	80
12-0310	System D150 BTA .....	78	12-0592	Sun visor for Ex units .....	82
12-0314	Detector arms Linebore .....	54	12-0594	Laser transmitter D25 .....	39
12-0319	Extension chain .....	81	12-0597	Splitter box .....	64
12-0320	Rod adapter for D157 .....	54	12-0603	Handheld detector bracket .....	57
12-0321	Cable support .....	65	12-0608	Magnet base with turnable head, for D157 .....	82
12-0324	Rods, 120 mm [4.72"] 8 pcs .....	52	12-0615	Cardan bracket for E-series .....	51
12-0329	Magnet base bracket for linebore detector .....	76	12-0617	Battery pack .....	83
12-0334	Measuring unit M, Ex .....	80	12-0618	Battery pack with built-in wireless unit .....	63
12-0335	Measuring unit S, Ex .....	80	12-0619	Barcode reader .....	66
12-0336	Display unit D336 Ex .....	80	12-0622	Tool kit for tilt table .....	56
12-0337	Shaft bracket with chain, stainless steel .....	49	12-0625	Standard chains .....	48
12-0340	System D550 Shaft Extreme™ .....	78	12-0628	Bracket for non-magnetic flanges, with handheld det. .....	83
12-0341	Self centering bracket .....	58	12-0652	System D652 Linebore .....	77
12-0343	Slide bracket 100mm .....	53	12-0656	Vibrometer probe E285 .....	82
12-0360	Tool kit for system D550 .....	73	12-0657	Detector for belt alignment E-series .....	78
12-0362	Cable tester .....	83	12-0659	E170 BTA .....	78
12-0363	Extension chain, stainless steel .....	49	12-0661	Offset hub with counterlock, for D75 .....	54
12-0364	Offset hub with arms .....	76	12-0662	System D662 Turbine .....	76
12-0384	Offset hub arms .....	55	12-0663	System D663 Turbine .....	77
12-0385	Laser transmitter bracket turbine .....	55	12-0664	System D664 Turbine .....	77
12-0386	Chain, stainless steel .....	71	12-0676	System E950-A .....	26
12-0390	Laser transmitter for sheave alignment Ex .....	78	12-0677	System E950-B .....	27
12-0394	Target for BTA, 18 mm .....	71	12-0695	System E530 Shaft .....	78
12-0400	System D130 BTA Ex .....	78	12-0696	Small magnet base with turnable head .....	46
12-0402	Target Ex cardan .....	62	12-0697	Measuring unit ELS 30 .....	80
12-0403	Detector for belt alignment D-series .....	78	12-0698	Measuring unit ELM 30 .....	80
12-0404	Display unit for sheave/pulley alignment .....	80	12-0700	Display unit E52 .....	74
12-0411	System D160 BTA .....	78	12-0702	Detector E4 .....	79
12-0412	Replaced by 12-1012 .....	49	12-0706	Laser transmitter D25 with offset hub .....	40
12-0413	Replaced by 12-1147 .....	80	12-0707	Arm kit with magnets .....	55
12-0415	System D90 BTA .....	17	12-0709	Measuring unit holder for Angular prism .....	61
12-0416	Demo unit Shaft .....	70	12-0710	System E960-A .....	24
12-0417	Height adjustment bracket for detector D6 .....	81	12-0711	System E960-B .....	25
12-0418	Display unit E51 (formerly E418) .....	38	12-0715	Detector bracket "Long stroke" Turbine .....	58
12-0422	System D480 Shaft .....	77	12-0725	Splitter cable for charging .....	63
12-0423	Measuring unit M, D-series, PSD 10x10mm, Incl. ....	79	12-0727	System E980 Sawmill .....	22
12-0424	Measuring unit S, D-series, PSD 10x10mm, Incl. ....	79	12-0728	Splitter cable for charging two 12-0738 .....	64
12-0433	Measuring unit S, E-series, PSD 20x20mm .....	43	12-0735	Red cable with angled connector .....	65
12-0434	Measuring unit M, E-series, PSD 20x20mm .....	43	12-0738	BT wireless unit with battery .....	82
12-0436	BT wireless unit .....	63	12-0739	BT wireless units kit for E530 .....	82
12-0438	Detector bracket Short stroke for turbine .....	58	12-0740	Batterypack with wireless unit, Kit .....	63
12-0439	Ball top probe .....	59	12-0742	Tilt table with magnet base .....	46
12-0440	System E710 Shaft .....	13	12-0743	Shim case 3 .....	73
12-0442	Carrying case for system E710 .....	68	12-0745	System E420 Shaft .....	14
12-0443	Centering target for turbine .....	60	12-0746	Measuring unit ELM 20 .....	43
12-0455	Slide bracket 120mm .....	53	12-0747	Measuring unit ELS 20 .....	43
12-0456	Transportation case Ex large .....	81	12-0748	Display unit E53 .....	38
12-0476	Cam shaft bracket .....	82	12-0750	Replaced by 12-0989 .....	64
12-0490	Short ball top probe .....	59	12-0751	DC to USB adapter .....	64

12-0752	Detector E7.....	41	12-1019	Titanium rods, set of 3.....	59
12-0755	Shim case 4.....	73	12-1020	Carrying case Large for system E540.....	68
12-0758	Detector E8, 1-axis PSD.....	802	12-1025	Carrying case Small for system E540.....	68
12-0759	Detector E9, 2-axis PSD.....	41	12-1026	Measuring unit XT50-M Ex/ATEX.....	44
12-0761	System E940 Machine tool.....	83	12-1027	Measuring unit XT50-S Ex/ATEX.....	44
12-0762	"Red cable", extension 0.5 m [1.6'].....	65	12-1028	Measuring unit XT60-M.....	44
12-0767	Rod adapter with built-in target.....	53	12-1029	Measuring unit XT60-S.....	44
12-0768	Slide bracket, width 25 mm [0.99"].....	52	12-1031	System XT550 Ex/ATEX without Display unit.....	11
12-0771	System E920 Geometric.....	31	12-1038	Extension chain stainless steel, set.....	49
12-0772	System E950-C.....	28	12-1039	Pin for hub.....	55
12-0775	System E540-B.....	83	12-1040	V-bracket with stainless steel chain and rods.....	48
12-0776	Measuring unit ELM 40.....	74	12-1043	System E540-A.....	83
12-0777	Measuring unit ELS 40.....	74	12-1045	Measuring unit XT70-M.....	45
12-0787	Spindle bracket for measuring unit.....	57	12-1046	Measuring unit XT70-S.....	45
12-0788	System E930 Extruder.....	30	12-1047	Measuring probe, cylindrical.....	59
12-0789	Measuring unit ESH, HyperPSD™.....	43	12-1048	Measuring probe, cylindrical, with magnet.....	59
12-0790	Measuring unit EMH, HyperPSD™.....	43	12-1049	Carrying case L for system XT440/XT660/XT770.....	67
12-0791	E-series wireless detector for belt alignment.....	78	12-1051	System XT660 with display unit, case M.....	10
12-0794	Target E-series 20x20.....	62	12-1052	System XT660 with display unit, case L.....	10
12-0796	System E180 BTA.....	78	12-1053	System XT190 BTA.....	16
12-0797	System Vestas 4.....	83	12-1054	Detector unit for system XT190 BTA.....	42
12-0799	Detector E3.....	41	12-1058	System XT660 without display unit XT11, case M.....	10
12-0801	Measuring probe Ruby diameter 2.5mm.....	59	12-1059	System XT660 without display unit XT11, case L.....	10
12-0804	Transportation case for BTA systems.....	68	12-1060	Extension chain, set for E- and XT-series.....	49
12-0805	Measuring probe Ruby diameter 5mm.....	59	12-1064	Laser transmitter D26.....	39
12-0810	Large target extruder.....	62	12-1086	ECOM Tab Display unit.....	84
12-0814	Tube bracket.....	58	12-1090	XT280 Vibrometer, complete set.....	19
12-0815	Adapter bracket for rod distance 40 mm.....	82	12-1092	Small magnet base.....	47
12-0823	Laser transmitter E30 Long Range.....	40	12-1095	System XT770 with Display unit.....	9
12-0824	Detector E7H, HyperPSD™.....	41	12-1096	System XT770 without Display unit.....	9
12-0825	System Vestas 3.....	83	12-1097	System XT550 Ex/ATEX with Display unit.....	11
12-0828	Offset hub with counterlock and tilt function.....	54	12-1113	GA1 system+brackets for coupling assembled.....	21
12-0840	VGA kit, for serial number 94177 and newer.....	66	12-1114	GA1 brackets for coupling removed.....	21
12-0845	Detector E2.....	84	12-1118	System Easy-Laser® GA1.....	21
12-0846	Digital Precision Level E290.....	41	12-1125	DM-bracket.....	50
12-0849	Roll bracket.....	84	12-1027	System XT770, with GEO Kit, with Display unit.....	9
12-0850	System E180 without laser transmitter 12-0309.....	78	12-1028	System XT770, with GEO Kit, without Display unit.....	9
12-0853	System E970 Parallelism.....	23	12-1129	Extension for DM-bracket.....	50
12-0854	System E975 Roll Alignment.....	84	12-1130	DM-bracket, complete set.....	50
12-0855	Upgrade kit Long stroke.....	58	12-1132	Carrying case large for XT770, with D22.....	67
12-0856	Roll alignment kit.....	84	12-1133	Magnet base with turnable top.....	46
12-0857	Digital Precision Level, complete kit.....	42	12-1136	Angular prism.....	61
12-0858	Laser transmitter E30 Long Range, with tilt table.....	40	12-1142	Vestas 6 wind shaft system.....	20
12-0864	Tilt table, turnable.....	56	12-1143	Vestas 5 wind shaft system.....	20
12-0874	Adapter plate for tilt table to magnet base.....	56	12-1147	Magnetic bracket.....	48
12-0885	Large roll kit.....	84	12-1151	Cardan bracket set.....	51
12-0901	Extension kit for large diameters.....	52	12-1161	Rods, 75 mm [2.95"], 4 pcs.....	51
12-0915	Safety strap.....	84	12-1183	Vestas Installation kit upgrade.....	20
12-0937	Height adjustment bracket for detector.....	47	<b>12-1196</b>	<b>ECOM Tab-Ex 02 Display unit.....</b>	<b>38</b>
12-0943	Measuring unit XT40-M.....	44	12-1200	Sliding table for magnet base.....	61
12-0944	Measuring unit XT40-S.....	44	12-1205	Sun visor for XT40.....	62
12-0949	Replaced by 12-1118.....	21	12-1221	Angular prism, kit.....	61
12-0954	System E950-D Bore alignment.....	29	<b>12-1225</b>	<b>AC adaptor for D23.....</b>	<b>63</b>
12-0955	System E720 Shaft/Geo.....	84	<b>12-1239</b>	<b>Carrying case Small for system XT440.....</b>	<b>67</b>
12-0961	XT11 Display unit for Generation XT.....	38	<b>12-1244</b>	<b>System XT290 Digital precision level.....</b>	<b>18</b>
12-0963	Shaft bracket with chain and rods.....	48	13-0004	Cap.....	75
12-0966	System XT440 without display unit.....	12	13-0006	Pen.....	75
12-0967	System XT440 with display unit XT11.....	12	13-0007	Playing cards.....	75
12-0972	Carrying case Small for system XT440.....	84	13-0012	A5 Notes.....	75
12-0973	Carrying case Medium for system XT440/XT660.....	67	13-0013	Keychain with spirit level.....	75
12-0987	Rods, 120 mm [4.72"], 4 pcs.....	51			
12-0988	Bar bracket.....	57			
12-0989	DC split cable for charging.....	64			
12-0990	Adjustable magnet for offset hub arms.....	55			
12-0992	Replaced by 12-1017.....	48			
12-1008	Offset bracket.....	50			
12-1010	Sliding bracket.....	50			
12-1011	Replaced by 12-1147.....	48			
12-1012	Thin chain bracket.....	49			
12-1017	Magnetic brackets and rods, kit.....	48			
12-1018	Angular adapter for detector, 90°.....	57			

Note: New products in rev21 marked with **Bold** letters.



Easy-Laser® is manufactured by Easy-Laser AB, Alfagatan 6, SE-431 49 Mölndal, Sweden  
Tel +46 31 708 63 00, Fax +46 31 708 63 50, e-mail: [info@easylaser.com](mailto:info@easylaser.com), [www.easylaser.com](http://www.easylaser.com)  
© 2020 Easy-Laser AB. We reserve the right to make changes without prior notification.  
Easy-Laser® is a registered trademark of Easy-Laser AB. Android, Google Play, and the Google Play logo are trademarks of Google Inc. Apple, the Apple logo, iPhone, and iPod touch are trademarks of Apple Inc., registered in the U.S. and other countries. App Store is a service mark of Apple Inc. Other trademarks belong to their respective owners.

