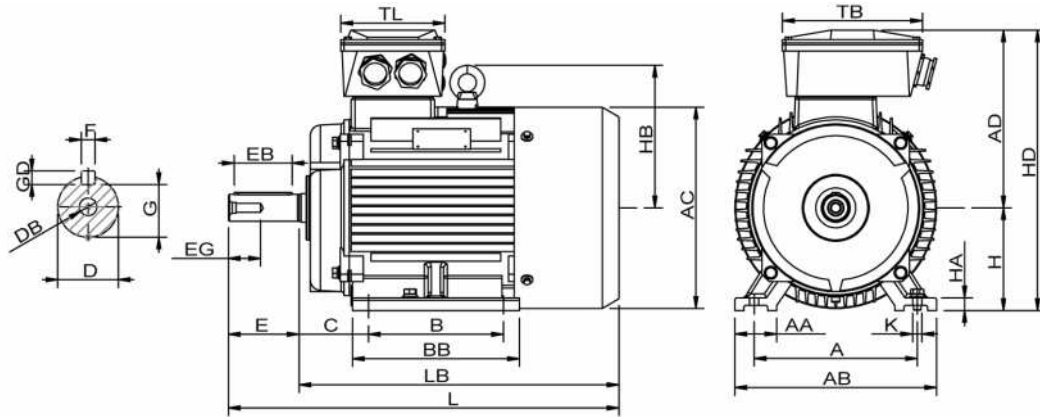


Data Sheet

Itemnumber....: 3222800109



A = 457	AC = 546	BB = 485	DB = M20	EG = 56	GD = 11	HB = 362	L = 965	TL = 230
AA = 85	AD = 403	C = 190	E = 140	F = 18	H = 280	HD = 683	LB = 825	
AB = 542	B = 368	D = 65	EB = 110	G = 58	HA = 35	K = 24	TB = 305	

Version Type.....: HMC2 280S-2 Design.....: Induction motor Standard series.....: IEC 60034 Phase / Voltage range.....: 3~ / Low	Mechanical design Frame size.....: 280 Mounting.....: B3 Rain cap.....: No Protection class.....: IP55 Cooling method.....: IC411/TEFC External grounding.....: Yes Drain hole.....: Yes Frame material.....: Cast Iron Material approval.....: None Shaft.....: IEC Standard Key.....: Closed key Balancing.....: Half key balancing Vibration class.....: Grade-A Weight (kg).....: 525	Bearing DE Bearing.....: 6314/C3 NDE Bearing.....: 6314/C3 Fixed bearing.....: DE
Electrical design Efficiency.....: IE2 Pole.....: 2 Power at 50 Hz (kW).....: 75,0 Hz.....: 60 (60 Hz output) Voltage.....: 440VD 60 Hz Winding voltage.....: 400VD/690VY 50 Hz Power output (kW).....: 87,5 Duty.....: S1 Insulation class.....: F Temperature rise.....: B	Environment condition Ambient temp. min. (°C)..: -20 Ambient temp. max. (°C)..: 45 Altitude (mtr up to).....: 1000	Terminal box Tbox position.....: Top Cable entry direction.....: Right (from DE) Cable entry Main.....: 2 x M63x1,5 Ø37-44mm metal Accessory.....: 2 x M20x1,5 Metal blindcaps Connection type.....: Delta (D) Terminal board thread.....: 6-M10
Motor protection Thermal protection main....: PTC 3x 155 dgr Thermal protection second..: None Space heater.....: 1x 230V Temperature detector.....: No SPM.....: No IR wire.....: No Tropical insulation.....: Yes	Test values Rotor inertia (kgm²).....: 0,71 Noise level (dB(A)).....: 81 No load current (A).....: 35,5 Winding resist. (ohm).....: 0,073 Starting time (sec.).....: 0,38 Temp. rise winding (K).....: 69 Temp. rise surface (K).....: 50	
Explosion protection According to.....: None		
General Direction of rotation.....: CW Painting.....: RAL 9005 Gloss 10 Nameplate.....: Multivoltage + VFD Special packing.....: No Special requirements.....: No		

Rated power (kW)	75,0	73,0	90,0	87,5
Frequency (Hz)	50	50	60	60
Voltage (V)	400 690	380 660	480 830	440
Connection	D Y	D Y	D Y	D
Full load current (A)	130 74,5	132 76,5	130 74,5	136
Speed (rpm)	2970	2970	3550	3550
Power factor cos(phi)	0,91	0,91	0,91	0,91
Efficiency, 100/75/50 (%)	93,0/93,1/92,2	93,0/93,1/92,2	93,0/93,1/92,2	92,6/92,7/91,8
Ist/In	7,3	6,4	7,3	6,7
Full load torque (Nm)	240	234	240	234
Tst/Tn	2,3	2,1	2,3	2,0
Tmax /Tn	3,6	3,3	3,6	3,1
Duty	S1	S1	S1	S1
Ambient temp. (°C)	40	45	40	45