



- A PART OF ADDTECH GROUP

DATA SHEET

Customer:	
Ref.:	
Order:	
Motor:	
Serial nr:	
Date:	28-03-2019

ASYNCHRONOUS MOTOR 4A 712-2

Nameplate data:

Code: 112299

Type:	4A 712-2			IP55	F/B	Amb. temp.: Max. 45°		
kW	Hz	V	A	Rpm	Cos	Eff.	Duty	IE.class
0,55	60	440 Y	1,18	3348	0,82	74,0%	S1	IE1-(Eff2)

Description:

Mounting form:	B3
Bearing DE:	6202-2Z/C3
Bearing NDE:	6202-2Z/C3
Weight - Kg.:	6,5
Heater:	No Heater
PTC:	No PTC
Kgm ² :	0,0009
Sound press.-db(A):	30,0

Other:

Test data S1-duty, Amb.temp 40°C:

Voltage - V:	440
Frequency - Hz:	60
Power - kW:	0,66
Full load speed - Rpm:	3348
Full load current - A:	1,42
Full load power factor - Cos:	0,82
Locked rotor current - A:	8,7
Locked rotor factor - A_{st}/A_n :	6,2

Efficiency 100% load - %:	74,0%
Efficiency 75% load - %:	
Efficiency 50% load - %:	
Full load torque - Nm:	1,9
Locked rotor torque - Nm:	4,8
Locked rotor torque - Nm_{st}/Nm_n :	2,5
Max. Pull out torque - Nm:	4,8
Max. Pull out torque. - Nm_{st}/Nm_n :	2,5

Over load/speed test	kW	Hz	V	A	Rpm
Over load 160% - 15sec.	0,88	50	400	2,08	2790
Over speed 125% - 2 min.	0,55	63	400	1,30	3488
H-Pot test voltage: 1800V			Temp. rise in stator:		

The motor is produced in accordance with following harmonized standards:

IEC60034-1, IEC60034-2, IEC60034-5, IEC60034-6, IEC60034-7, IEC60034-8, IEC60034-9
IEC60034-12, IEC60034-14, IEC60034-30, IEC60072.

Additional specifications in accordance with:

RINA - GL - LRS - BV - DNV - ABS - KR - RR - CCS - CCC - RMRS.

Bevi Group:

BEVI AB, Sweden
BEVI A/S, Denmark
BEVI Norge A/S, Norway
BEVI Finland OY AB, Finland
BEVI UAB, Lithuania
BEVI CHINA, China

www.bevi.se
www.bevi.dk
www.bevi.no
www.bevi.fi
www.bevi.lt
www.bevi.cn

sales@bevi.se
bevi@bevi.dk
info@bevi.no
info@bevi.fi
info@bevi.lt
sales@bevi.cn

+46 499 271 00
+45 39 67 36 05
+47 22 07 66 50
+358 9 2709 1210
+370 5 2611 112
+86 21 5032 5200

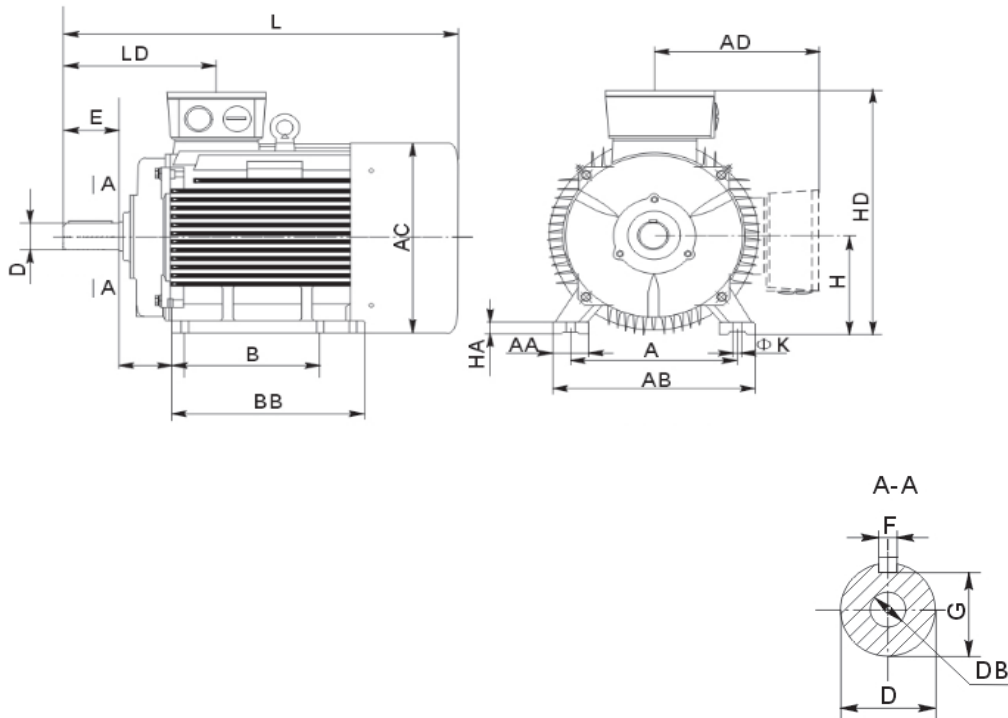


- A PART OF ADDTECH GROUP

DATA SHEET

Customer:	
Ref.:	
Order:	
Motor:	
Serial nr:	
Date:	28-03-2019

Foot mounted motor 4A 712-2 B3



A: 112	HD: 200	E: 30
B: 90	C: 45	D: 14
AB: 150	H: 71	G: 11
AC: 145	K: 7	DB: M5
AD: 127	L: 245	F: 5
LD: 0	L (V1): 0	

Bevi Group:

BEVI AB, Sweden
 BEVI A/S, Denmark
 BEVI Norge A/S, Norway
 BEVI Finland OY AB, Finland
 BEVI UAB, Lithuania
 BEVI CHINA, China

www.bevi.se
 www.bevi.dk
 www.bevi.no
 www.bevi.fi
 www.bevi.lt
 www.bevi.cn

sales@bevi.se
 bevi@bevi.dk
 info@bevi.no
 info@bevi.fi
 info@bevi.lt
 sales@bevi.cn

+46 499 271 00
 +45 39 67 36 05
 +47 22 07 66 50
 +358 9 2709 1210
 +370 5 2611 112
 +86 21 5032 5200

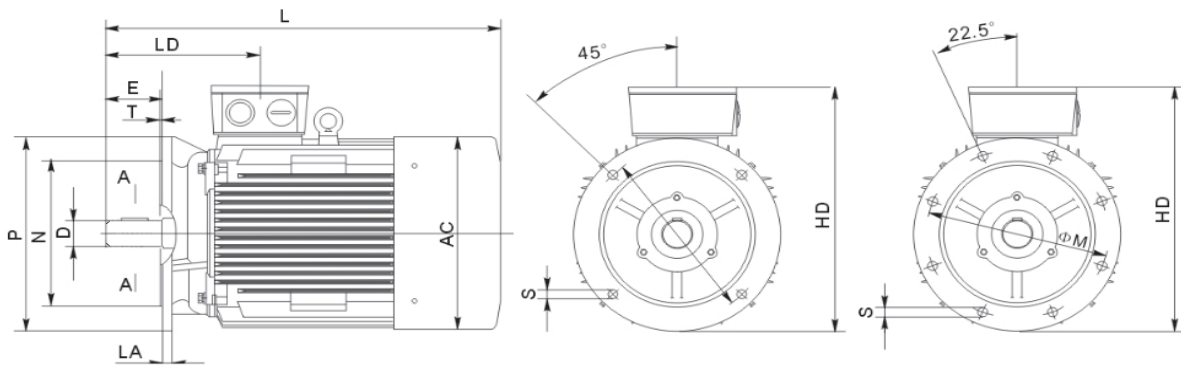


- A PART OF ADDTECH GROUP

DATA SHEET

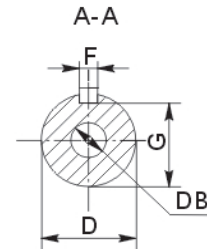
Customer:	
Ref.:	
Order:	
Motor:	
Serial nr:	
Date:	28-03-2019

Flange mounted motor 4A 712-2 B5



IEC 56-200

IEC 225-400



M: 130	HD: 200	E: 30
N: 110	L: 245	D: 14
P: 160	L (V1): 0	G: 11
S: 10	LD: 0	DB: M5
		F: 5

Bevi Group:

BEVI AB, Sweden
 BEVI A/S, Denmark
 BEVI Norge A/S, Norway
 BEVI Finland OY AB, Finland
 BEVI UAB, Lithuania
 BEVI CHINA, China

www.bevi.se
 www.bevi.dk
 www.bevi.no
 www.bevi.fi
 www.bevi.lt
 www.bevi.cn

sales@bevi.se
 bevi@bevi.dk
 info@bevi.no
 info@bevi.fi
 info@bevi.lt
 sales@bevi.cn

+46 499 271 00
 +45 39 67 36 05
 +47 22 07 66 50
 +358 9 2709 1210
 +370 5 2611 112
 +86 21 5032 5200

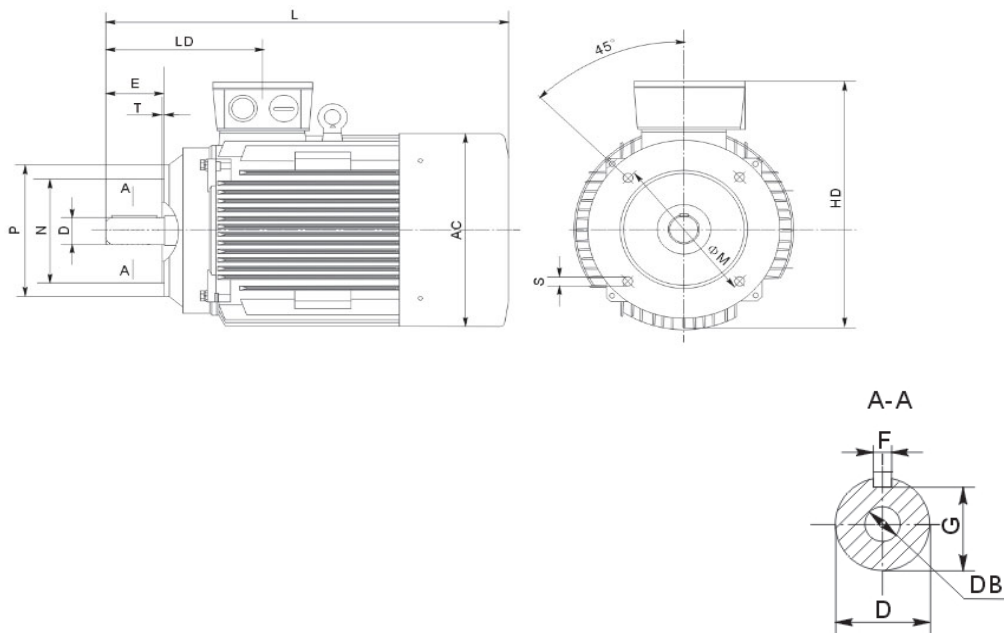


- A PART OF ADDTECH GROUP

DATA SHEET

Customer:	
Ref.:	
Order:	
Motor:	
Serial nr:	
Date:	28-03-2019

Flange mounted motor 4A 712-2 B14A + (B14B)



Flange type: B14A

M: 75
N: 60
P: 90
S: M5

B14B

100
80
120
M6

HD: 200
L: 245
L (V1): 0
LD: 0

E: 30
D: 14
G: 11
DB: M5
F: 5

Bevi Group:

BEVI AB, Sweden
BEVI A/S, Denmark
BEVI Norge A/S, Norway
BEVI Finland OY AB, Finland
BEVI UAB, Lithuania
BEVI CHINA, China

www.bevi.se
www.bevi.dk
www.bevi.no
www.bevi.fi
www.bevi.lt
www.bevi.cn

sales@bevi.se
bevi@bevi.dk
info@bevi.no
info@bevi.fi
info@bevi.lt
sales@bevi.cn

+46 499 271 00
+45 39 67 36 05
+47 22 07 66 50
+358 9 2709 1210
+370 5 2611 112
+86 21 5032 5200

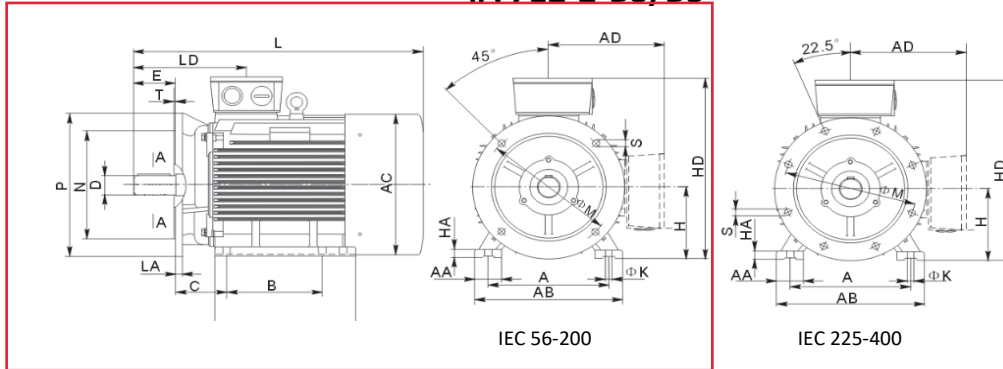


- A PART OF ADDTECH GROUP

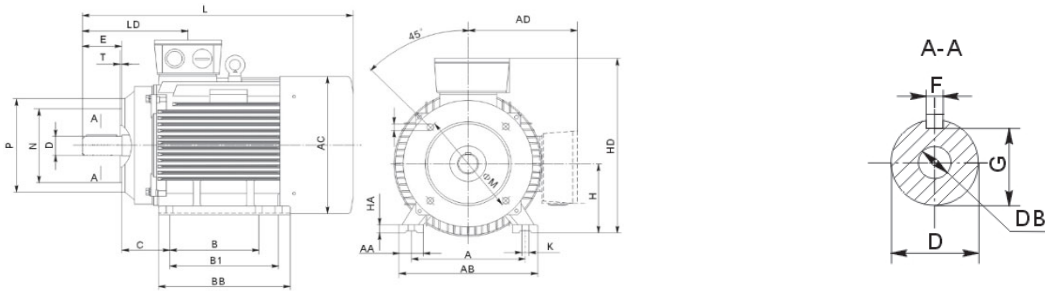
DATA SHEET

Customer:	
Ref.:	
Order:	
Motor:	
Serial nr:	
Date:	28-03-2019

Foot & flange mounted motor 4A 712-2 B3/B5



4A 712-2 B14A + (B14B)



Flange type: B5

M: 130
N: 110
P: 160
S: 10

A: 112
B: 90
AB: 150
AC: 145
AD: 127
LD: 0

B14A

M: 75
N: 60
P: 90
S: M5

HD: 200
C: 45
H: 71
K: 7
L: 245
L (V1): 0

(B14B)

M: 100
N: 80
P: 120
S: M6

E: 30
D: 14
G: 11
DB: M5
F: 5

Bevi Group:

BEVI AB, Sweden
BEVI A/S, Denmark
BEVI Norge A/S, Norway
BEVI Finland OY AB, Finland
BEVI UAB, Lithuania
BEVI CHINA, China

www.bevi.se
www.bevi.dk
www.bevi.no
www.bevi.fi
www.bevi.lt
www.bevi.cn

sales@bevi.se
bevi@bevi.dk
info@bevi.no
info@bevi.fi
info@bevi.lt
sales@bevi.cn

+46 499 271 00
+45 39 67 36 05
+47 22 07 66 50
+358 9 2709 1210
+370 5 2611 112
+86 21 5032 5200