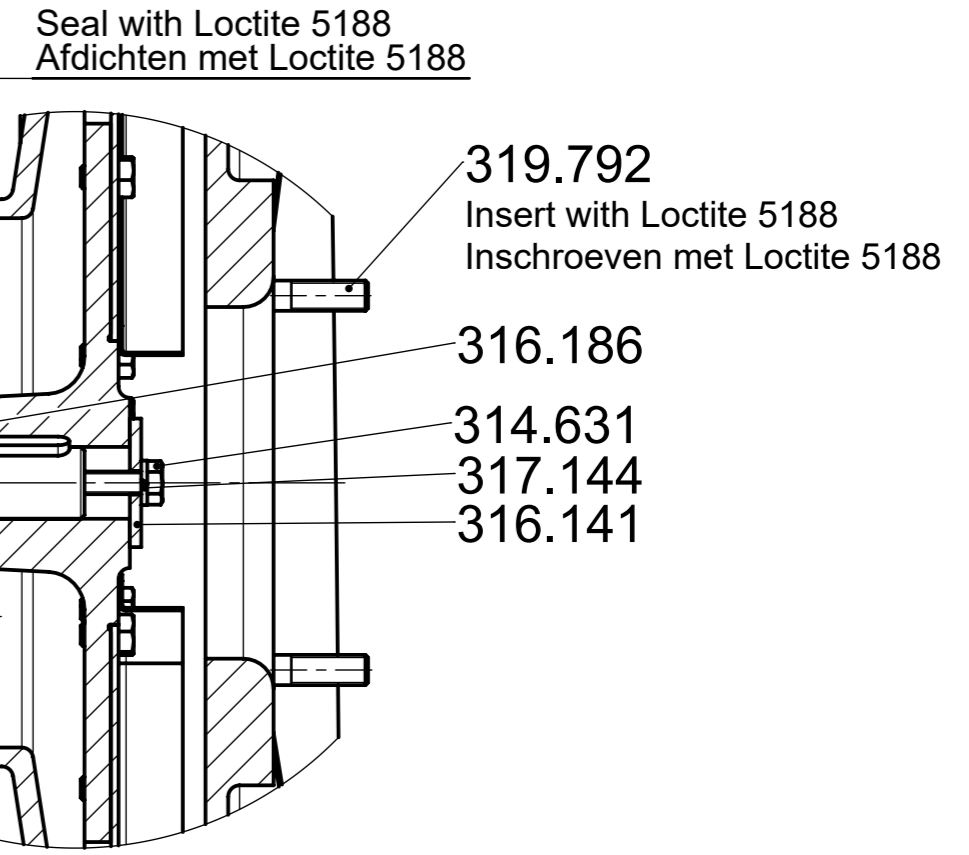
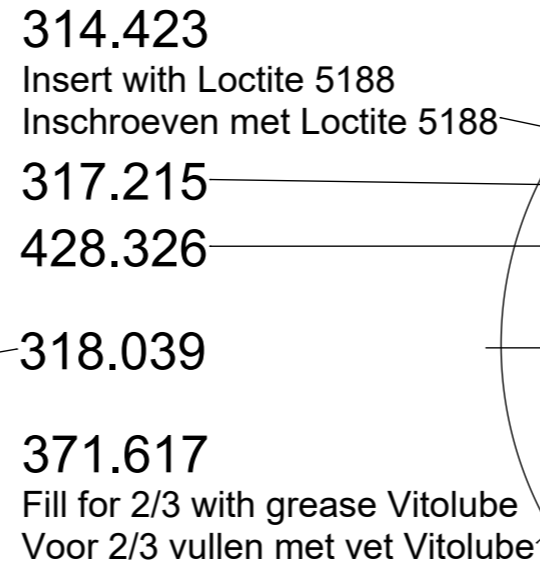
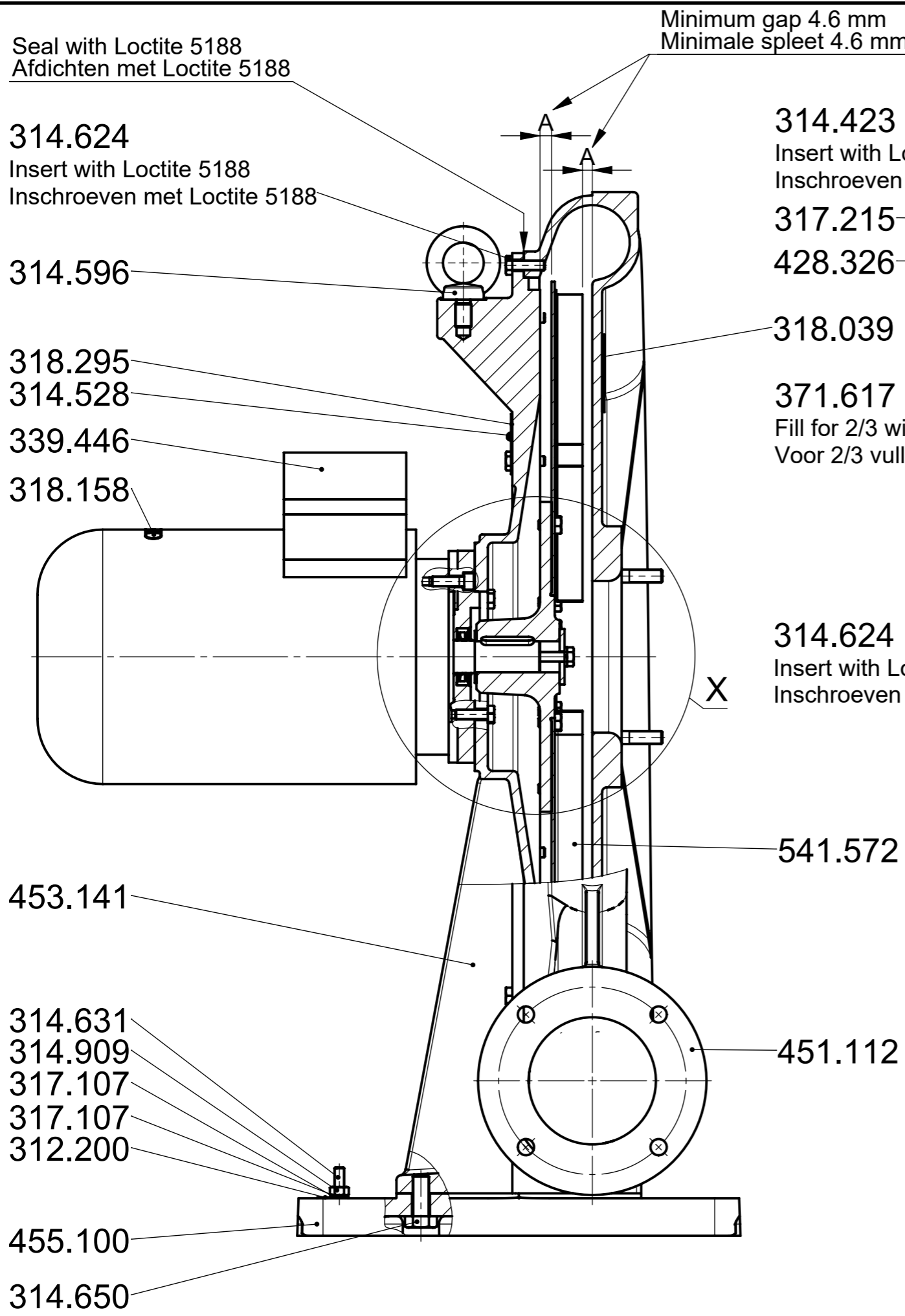


This document is confidential. The copyright is vested in Combimac B.V. Emmen, The Netherlands. All rights reserved. Neither the whole nor any part of this document may be disclosed to any third party or reproduced, stored in any retrieval system or transmitted in any form or by any means (electronic, mechanical, reprographic, recording or otherwise) without the prior written consent of the copyright owner.



DETAIL X
Scale 1:2

314.624
 Insert with Loctite 5188
 Inschroeven met Loctite 5188

Fan type : 51DZK475/R2J1
 Part nr. : 847.562
 Fan speed : Approx. 2900 rpm
 Fan Ex class : Ex II 3G/3G Ex h IIB T3 Gc/Gc
 Mass : ± 73 kg
 Remarks : Shaft sealed by lipseal
 : Impeller made from stainless steel 316

Motor type : 6RE80-02
 Motor power : 0.75 kW
 Motor supply : 230/400V-50Hz-3ph.
 Motor frame size : IEC80 - B14a
 Motor Ex class : Ex II 2G Ex eb IIC T3 Gb
 Protection : IP55 - Cl. F
 Outline drawing : C.003.246
 Remarks :

541.572

451.112

| 01 | - | 07-01-2021 | Redrawn in 3D. Loctite 5188 was 574. Other minor improvements. | AB |
|----------------------------------|-----|---|--|--|
| 00 | | | | |
| ISSUE | QTY | DATE | DESCRIPTION | NAME |
| PROJECTION | | ROUGHNESS SYMBOLS ACC. ISO 1302 | GENERAL TOLERANCES ACC. ISO 2768-M | GEOMETRIC TOLERANCE SYMBOLS ACC. ISO 1101 |
| | | Section drawing of COMBIMAC centrifugal fan Type 51DZK475/R2J1 | | 003.247 |
| Special electric motors and fans | | SCALE 1:3 | DIMS IN mm | C.847.562 |
| | | DRAWN 23-11-2005 HvK | CHECKED | |