

Fluorescent

Seamless Lighting

LED











FEELUX



# seamless illumination

Innovative Design Plug 'n' Play Fluorescent & LED No Dark Spot



	Introduction	Page	1
	General Product Information	Page	2 - 5
	Extrusions	Page	6
	SlimLine T5 - Switching	Page	9-10
	DimLine T5 - Dimming	Page	11-12
	Feeled Slimline	Page	13-14
	Sleeves	Page	15
	Interfaces 0-10V / 1-10V / DMX / DSI	Page	17-18
	Controls and Wiring Diagrams	Page	19-33
	Frequently Asked Questions	Page	34

filling the gap...

## Introduction

The Slimline, DimLine and Faeled Slimline luminaires are the solution for seamless lighting. These a linear lighting fixtures are unique in casting a clean, continuous light without dark spots. There are currently no other similar products on the mar-

Slimline, DimLine and Faeled Slimline consist of a built-in ballast and fluorescent lamp. Faeled Slimline has a built-in driver with a replaceable LED lamp. It's an excellent lighting design solution for both commercial and domestic projects. Some examples of uses would be display shelving, cove lighting and under bar feature lighting.

Both the Slimline and DimLine are available with either high efficiency or high brightness fluorescent tubes. High efficiency fluorescents are standard for most applications. High brightness fluorescents are mainly used in situations that require a lot of light, including shop windows, displays and exhibitions.

SlimLine (LED)



SlimLine (Fluorescent)



Extrusion



## Benefits and Features

Complies with Part L regulations (October 2010)

- L1A New Dwelling
  - L1B Existing Dwellings
  - L2A New Buildings other than Dwellings
  - L2B Existing Buildings other than Dwellings
- 18000 Lamp Life (Fluorescent)
  - 30000 Lamp Life (LED)
  - Easy to Specify
  - High Efficiency
  - Easy to Install
- Plug 'n' Play
  - High Output
  - Dimming
  - Seamless
  - Colours

## Benefits over Cold Cathode

2



### Seamless Fluorescent & LED

- Three different sizes available
- 240 Volt Ballast built into the fitting
- Plug 'n' Play
- Lower Purchase Cost
- Durable



### Cold Cathode

- It has to be made to measure
- 1000 Volts Transformer required
- Has to be wired
- Higher Purchase Cost
- Very Fragile

## Comparison Chart

	WATTAGE	TOTAL LUMEN (lm)	LUMEN PER WATT (lm/w)	LENGTH	LIFE (hours)	COLOUR (k)
Standard Output	14	1200	86	582	20000	3000k 4000k
	21	1900	90	882	20000	
	28	2600	93	1182	20000	
High Output	24	1750	73	582	20000	
	39	3100	79	882	20000	
	54	4480	82	1182	20000	
LED	10	600	60	505	30000	
	20	1200	60	1005	30000	



6500k Daylight



4000k Cool White

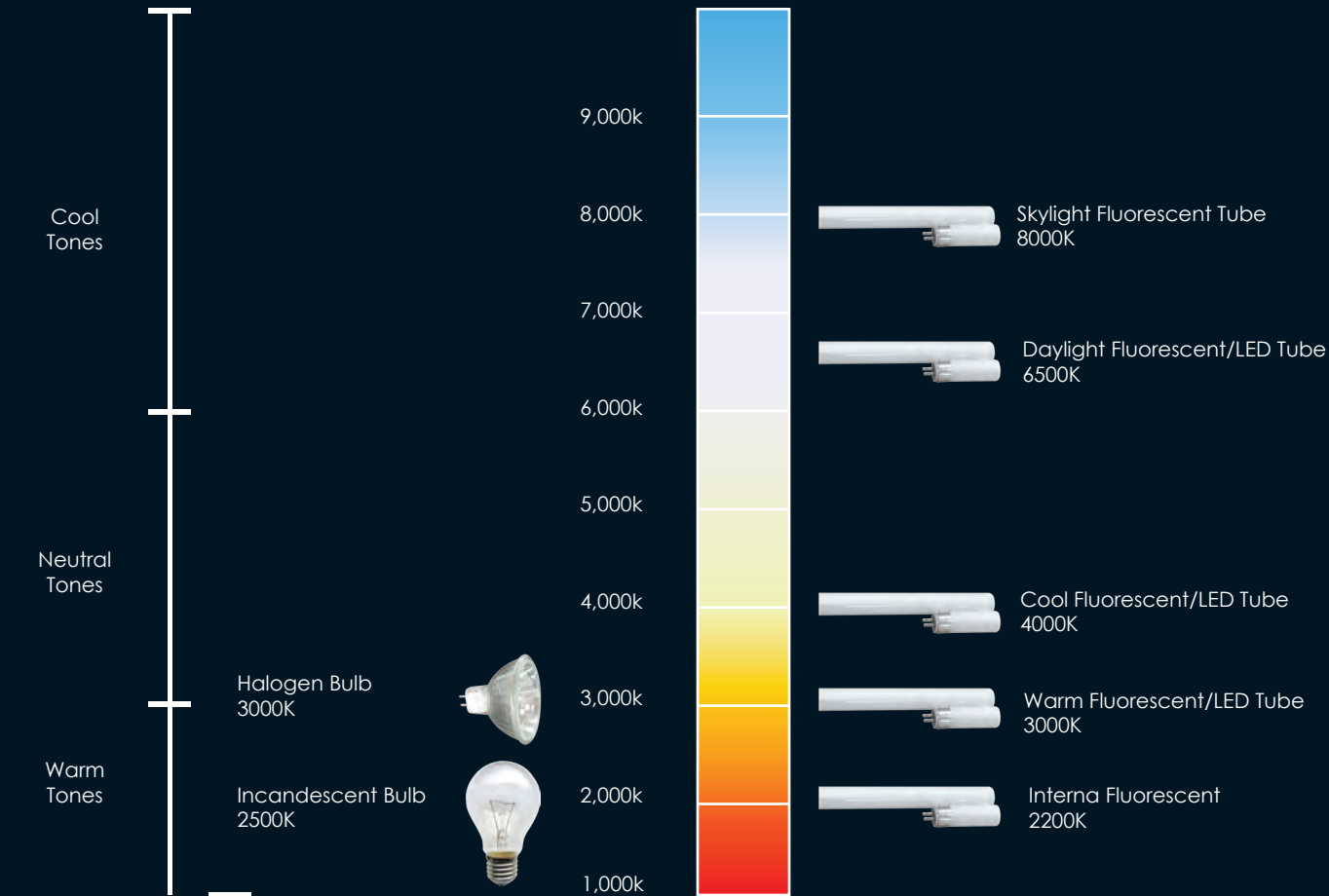


2200k Warm White

# Lamp Temperature Chart

By convention, yellow-red colours (like the flames of a fire) are considered warm, and blue-green colours (like light from an overcast sky) are considered cool. Confusingly, higher Kelvin temperatures (3600-5500k) are what we consider cool and lower colour temperatures (2700-3000k) are considered warm.

Cool light is preferred for visual tasks because it produces higher contrast than warm light. Warm light is preferred for living spaces because it is more flattering to skin tones and clothing. A colour temperature of 2200-4000k is generally recommended for most general and task lighting application. Colour temperature is not a indicator of lamp heat.



# 5 How to Mount Cove

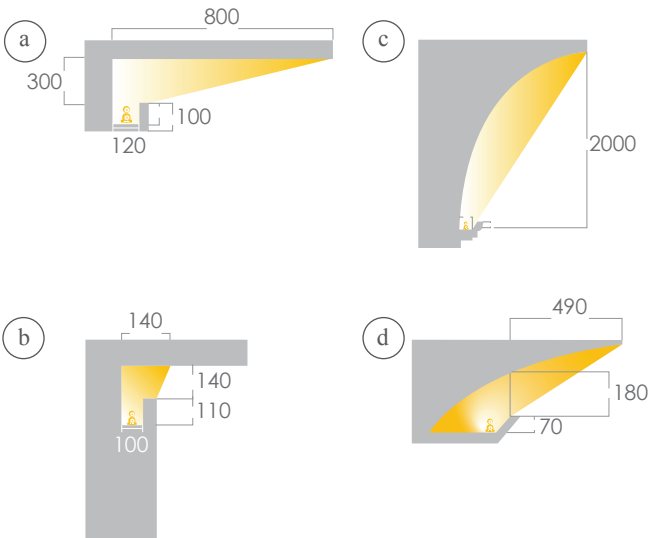
There are many ways to mount the Slimline, DimLine and Fieled Slimline products. When lighting ceilings and walls it is important to mount the light fitting so it cannot be seen. The desired effect is to only see the light emitted from the fitting. This is normally done by placing the light fitting into a recess.

When lighting behind glass or perspex allow a minimum distance of 100mm from light to achieve the best results.

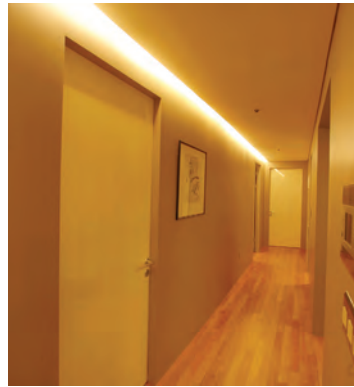
## Ceiling Lighting



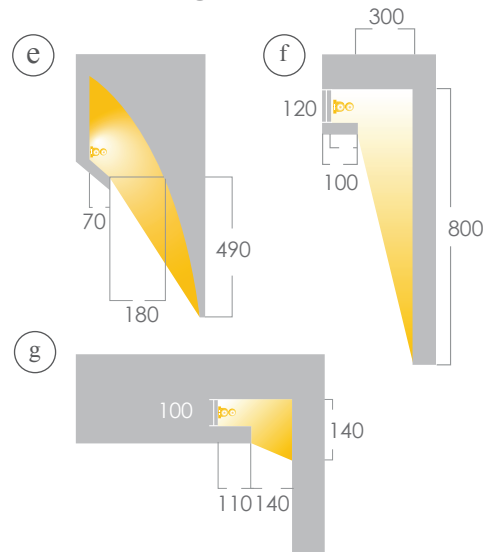
Options a,b,c,d



## Wall Lighting



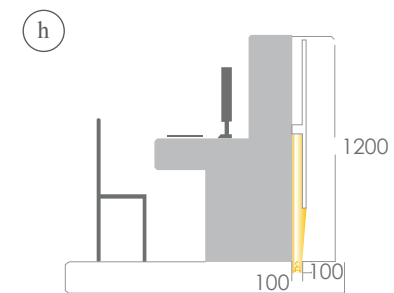
Options e,f,g



## Glass Panels



Options h





# How to Mount with Extrusions

The Lightline Extrusion is designed to house the Seamless and Dimslim lighting products. It's purpose is to give continuous lines of light. Either one or two fittings can be installed inside the fixture. Having two fittings gives colour temperature control.

It is available in 1 or 2 metre lengths. The Lightline can be installed in various ways, either ceiling mounted, wall mounted, recessed or hanging as a pendant.

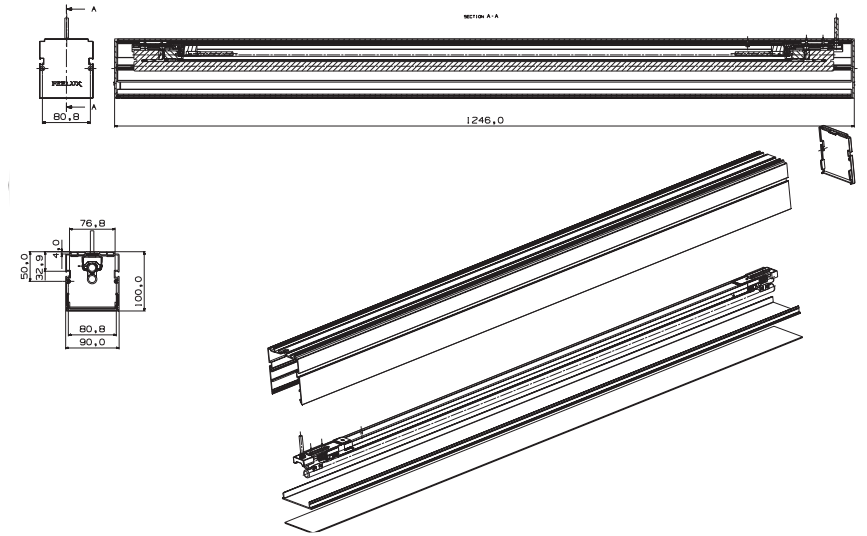


Construction	Aluminium
Fitting Length	1m or 2m
Fitting Width	90mm
Fitting Depth	100mm

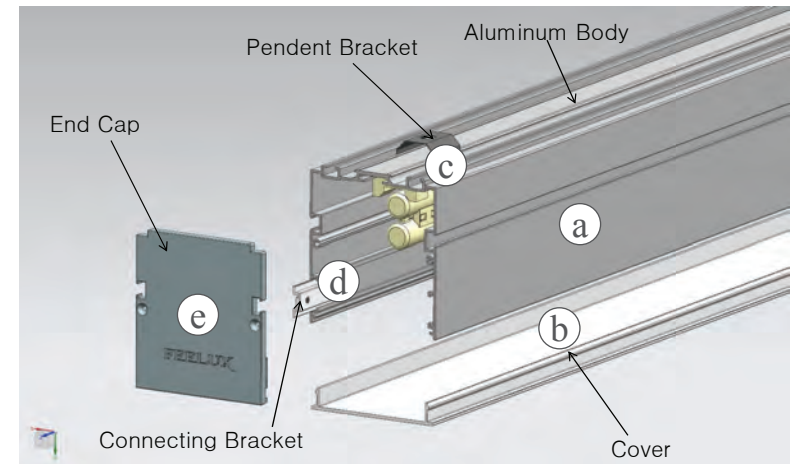
## Feeled Slimline Tubes Part No.

- |                                       |  |                           |                   |
|---------------------------------------|--|---------------------------|-------------------|
| <b>(a)</b> LIGHTLINE 1<br>LIGHTLINE 2 | Extrusion Body 1 Metre<br>Extrusion Body 2 Metre | <b>(d)</b> LIGHTLINE CONN | Extrusion Bracket |
| <b>(b)</b> LIGHTLINE COVER            | Extrusion Opal Cover                             | <b>(e)</b> LIGHTLINE END  | Extrusion End Cap |
| <b>(c)</b> LIGHTLINE CLIP             | Extrusion Pendant Bracket                        |                           |                   |

# External Dimension



# Mounting







**SlimLine T5**

switching



8

**DimLine T5**

dimming



**Feeled Slimline**



**Sleeves**

Accessories



	WATTAGE	TOTAL LUMEN (lm)	LUMEN PER WATT (lm/w)	LENGTH	LIFE (hours)	COLOUR (k)
Standard Output	14	1200	86	582	20000	3000k 4000k
	21	1900	90	882	20000	
	28	2600	93	1182	20000	
High Output	24	1750	73	582	20000	
	39	3100	79	882	20000	
	54	4480	82	1182	20000	
LED	10	600	60	505	30000	
	20	1200	60	1005	30000	

Products >>>

## Innovative design for seamless illumination

Slimline is an exclusively designed luminaire by Feelux. A dream come true for interior designers who utilize the T5 fluorescent fixtures, the slimline is the solution for seamless lighting. Featuring a linear lighting fixture casting a clean, continuous light without dark spots. There are currently no other similar concepts in the market.

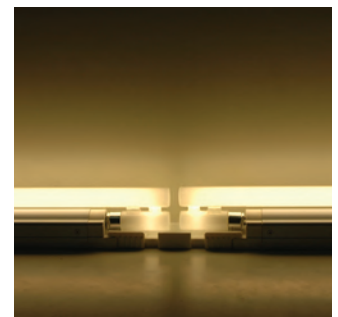
By using an HO ballast, the Slimline has twice the normal light output of previous T5 lamps.

Slimline consists of a high power built-in ballast and fluorescent lamp. It is an excellent lighting solution for display shelving, cove lighting and under bar feature lighting. A diffuser is not recommended for Slimline.

## Product Benefits and Features

- Dark spot free at the linked site with innovative lamp
- Extremely bright with T5 HO ballast
- Unique design concept to accommodate the newly developed lamps
- Maximum linkable wattage 400W
- Maximum safety: world class standard, TUV & CE certified and UL listed
- Built-in electronic ballast
- Instant on starting, quiet and flicker free
- Allows easy connection, saves installation time
- Protection from lamp end of life problems, overload and cross wiring
- Rigid aluminium extruded body and snap in mounting brackets
- 18,000 hours of life

Energy Comparison		Lumen per Watt	Max. No. of Units Inline (400W max)	
Fluorescent Output	Incandescent Equivalents	High Efficiency	Part No.	Maximum Units
14 Watts	70 Watts	68	SLL14AB23NN N/T	28 Units
21 Watts	105 Watts	70	SLL21AB23NN N/T	19 Units
28 Watts	140 Watts	77	SLL28AB23NN N/T	14 Units
24 Watts	120 Watts	75	SLL24AB23NN N/T	16 Units
39 Watts	195 Watts	81	SLL39AB23NN N/T	10 Units
54 Watts	270 Watts	82	SLL54AB23NN N/T	7 Units



# SlimLine T5

switching

## Slimline Part No.

Standard Output

SLL8AB23NN N/T	8W	340mm
SLL14AB23NN N/T	14W	580mm
SLL21AB23NN N/T	21W	880mm
SLL28AB23NN N/T	28W	1180mm
SLL35AB23NN N/T	35W	1500mm

## Fluorescent Tubes

SLL8T/H 2200K INTERNA	SLL28T/H 2200K INTERNA
SLL8T/H 3000K WARM	SLL28T/H 3000K WARM
SLL8T/H 4000K COOL	SLL28T/H 4000K COOL
SLL8T/H 6500K DAY	SLL28T/H 6500K DAY
SLL8T/H 8000K SKY	SLL28T/H 8000K SKY
SLL8T/H BLUE	SLL28T/H BLUE
SLL8T/H GREEN	SLL28T/H GREEN
SLL8T/H RED	SLL28T/H RED

SLL14T/H 2200K INTERNA	SLL35T/H 2200K INTERNA
SLL14T/H 3000K WARM	SLL35T/H 3000K WARM
SLL14T/H 4000K COOL	SLL35T/H 4000K COOL
SLL14T/H 6500K DAY	SLL35T/H 6500K DAY
SLL14T/H 8000K SKY	SLL35T/H 8000K SKY
SLL14T/H BLUE	SLL35T/H BLUE
SLL14T/H GREEN	SLL35T/H GREEN
SLL14T/H RED	SLL35T/H RED

SLL21T/H 2200K INTERNA
SLL21T/H 3000K WARM
SLL21T/H 4000K COOL
SLL21T/H 6500K DAY
SLL21T/H 8000K SKY
SLL21T/H BLUE
SLL21T/H GREEN
SLL21T/H RED

## Accessories

SLL0PC240  
power lead 1800mm

SLLCPL/T  
direct coupler

SLLPTC/T  
150mm coupler

SLLPTC1/T  
300mm coupler

SLLPTC2/T  
600mm coupler

SLLPTC4/T  
1200mm coupler

SLLPTC6/T  
1800mm coupler

SLLDDP Sleeve's  
see page 13 for  
coloured sleeves

High Output

SLL24BA23NN N/T	24W	580mm
SLL39AB23NN N/T	39W	880mm
SLL54AB23NN N/T	54W	1180mm

SLL24T/H 2200K INTERNA
SLL24T/H 3000K WARM
SLL24T/H 4000K COOL
SLL24T/H 6500K DAY
SLL24T/H 8000K SKY
SLL24T/H BLUE
SLL24T/H GREEN
SLL24T/H RED

SLL39T/H 2200K INTERNA
SLL39T/H 3000K WARM
SLL39T/H 4000K COOL
SLL39T/H 6500K DAY
SLL39T/H 8000K SKY
SLL39T/H BLUE
SLL39T/H GREEN
SLL39T/H RED

SLL54T/H 2200K INTERNA
SLL54T/H 3000K WARM
SLL54T/H 4000K COOL
SLL54T/H 6500K DAY
SLL54T/H 8000K SKY
SLL54T/H BLUE
SLL54T/H GREEN
SLL54T/H RED



SLL8CV  
Plastic diffuser 8W

SLL14CV  
Plastic diffuser 14W

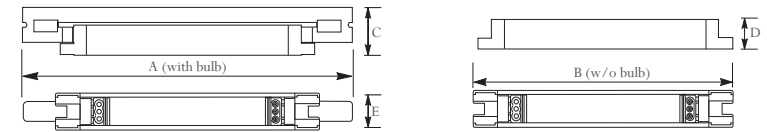
SLL21CV  
Plastic diffuser 21W

SLL14CV  
Plastic diffuser 14W

SLL21CV  
Plastic diffuser 21W

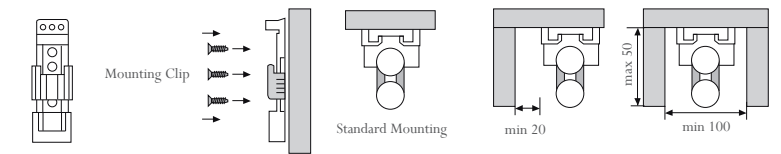
# External Dimension

10

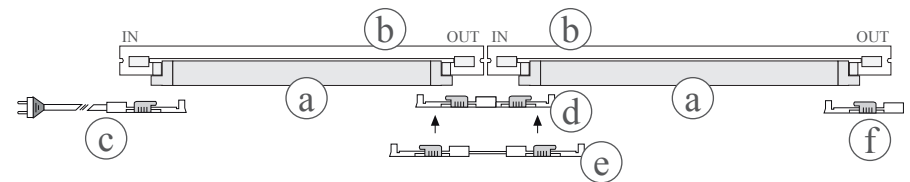


A (mm)	B (mm)	C (mm)	D (mm)	E (mm)
580	500	45	26.6	34
880	800	45	26.6	34
1180	1100	45	26.6	34

# Mounting



# How to order?



The diagram above shows the basic parts that you require for connecting the Slimline products together. The products required would be Slimline fittings(a), fluorescent tube(b) and power lead(c). To connect more fittings together either use a direct coupler(d) for seamless lighting or a coupler with a lead(e). Please note that the end cap(f) is included with every Slimline fitting(a).

SlimLine 14W/24W fixture  
/ Length 580mm



SlimLine 21W/39W fixture  
/ Length 880mm



SlimLine 28W/54W fixture  
/ Length 1180mm



**Innovative design for seamless illumination**

Dimline is an exclusively designed luminaire by Feelux. A dream come true for interior designers who utilize T5 fluorescent fixtures, the slimline is the solution for seamless lighting. Featuring a linear lighting fixture casting a clean, continuous light without dark spots. There are currently no other similar concepts in the market.

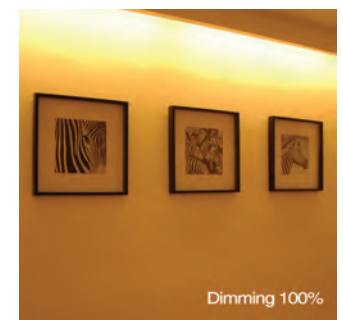
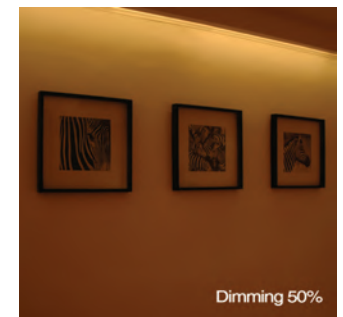
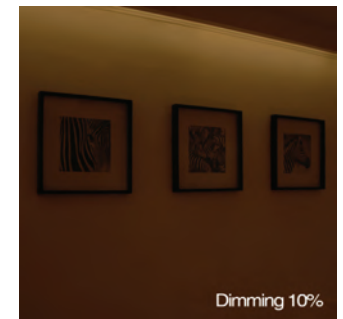
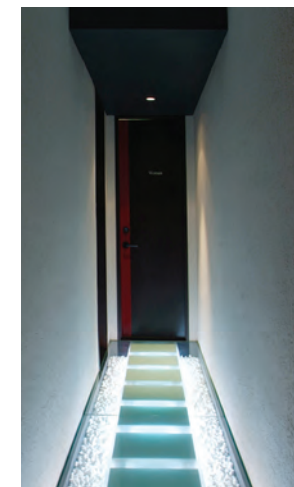
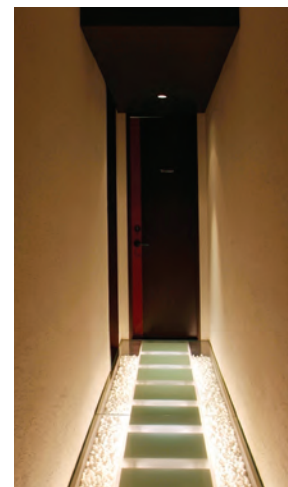
By using an HO ballast, the DimLine has twice the normal light output of previous T5 lamps.

Dimline consists of a high power built-in ballast and fluorescent lamp. It is an excellent lighting solution for display shelving, cove lighting and under bar feature lighting. A diffuser is not recommended for Slimline.

**Product Benefits and Features**

- Dark spot free at the linked site with innovative lamp
- Extremely bright with T5 HO ballast
- Unique design concept to accommodate the newly developed lamps
- Maximum linkable wattage 400W
- Maximum safety: world class standard, TUV & CE certified and UL listed
- Built-in electronic ballast
- Instant on starting, quiet and flicker free
- Allows easy connection, saves installation time
- Protection from lamp end of life problems, overload and cross wiring
- Rigid aluminium extruded body and snap in mounting brackets
- Dimming range 5/10 - 100%

Energy Comparison		Lumen per Watt	Max. No. of Units Inline (400W max)	
Fluorescent Output	Incandescent Equivalents	High Efficiency	Part No.	Maximum Units
14 Watts	70 Watts	68	DSLL14AB23NN N/T	10 Units
21 Watts	105 Watts	70	DSLL21AB23NN N/T	10 Units
28 Watts	140 Watts	77	DSLL28AB23NN N/T	10 Units
24 Watts	120 Watts	75	DSLL24AB23NN N/T	10 Units
39 Watts	195 Watts	81	DSLL39AB23NN N/T	10 Units
54 Watts	270 Watts	82	DSLL54AB23NN N/T	7 Units



# DimLine T5

dimming

## Slimline Part No.

Standard Output

- DSLL14AB23NN N/T 14W 580mm
- DSLL21AB23NN N/T 21W 880mm
- DSLL28AB23NN N/T 28W 1180mm
- DSLL35AB23NN N/T 35W 1180mm

## Fluorescent Tubes

- |                        |                        |
|------------------------|------------------------|
| SLL14T/H 2200K INTERNA | SLL35T/H 2200K INTERNA |
| SLL14T/H 3000K WARM    | SLL35T/H 3000K WARM    |
| SLL14T/H 4000K COOL    | SLL35T/H 4000K COOL    |
| SLL14T/H 6500K DAY     | SLL35T/H 6500K DAY     |
| SLL14T/H 8000K SKY     | SLL35T/H 8000K SKY     |
| SLL14T/H BLUE          | SLL35T/H BLUE          |
| SLL14T/H GREEN         | SLL35T/H GREEN         |
| SLL14T/H RED           | SLL35T/H RED           |

- SLL21T/H 2200K INTERNA
- SLL21T/H 3000K WARM
- SLL21T/H 4000K COOL
- SLL21T/H 6500K DAY
- SLL21T/H 8000K SKY
- SLL21T/H BLUE
- SLL21T/H GREEN
- SLL21T/H RED

- SLL28T/H 2200K INTERNA
- SLL28T/H 3000K WARM
- SLL28T/H 4000K COOL
- SLL28T/H 6500K DAY
- SLL28T/H 8000K SKY
- SLL28T/H BLUE
- SLL28T/H GREEN
- SLL28T/H RED

High Output

- DSLL24BA23NN N/T 24W 580mm
- DSLL39AB23NN N/T 39W 880mm
- DSLL54AB23NN N/T 54W 1180mm

- SLL24T/H 2200K INTERNA
- SLL24T/H 3000K WARM
- SLL24T/H 4000K COOL
- SLL24T/H 6500K DAY
- SLL24T/H 8000K SKY
- SLL24T/H BLUE
- SLL24T/H GREEN
- SLL24T/H RED

- SLL39T/H 2200K INTERNA
- SLL39T/H 3000K WARM
- SLL39T/H 4000K COOL
- SLL39T/H 6500K DAY
- SLL39T/H 8000K SKY
- SLL39T/H BLUE
- SLL39T/H GREEN
- SLL39T/H RED

- SLL54T/H 2200K INTERNA
- SLL54T/H 3000K WARM
- SLL54T/H 4000K COOL
- SLL54T/H 6500K DAY
- SLL54T/H 8000K SKY
- SLL54T/H BLUE
- SLL54T/H GREEN
- SLL54T/H RED

## Accessories

DSLLOPC240  
power lead 1800mm

DSLLCPL/T  
direct coupler

DSLLPTC/T  
150mm coupler

DSLLPTC1/T  
300mm coupler

DSLLPTC2/T  
600mm coupler

DSLLPTC4/T  
1200mm coupler

DSLLPTC6/T  
1800mm coupler

SLLDDP Sleeve's  
see page 13 for  
coloured sleeves

SLL8CV  
Plastic diffuser 8W

SLL14CV  
Plastic diffuser 14W

SLL21CV  
Plastic diffuser 21W

SLL14CV  
Plastic diffuser 14W

SLL21CV  
Plastic diffuser 21W

## Interface

DIMSLIM DA02V110  
required for dimming 0-10V  
or 1-10V

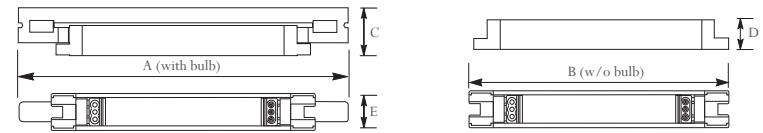
DIMSLIM DTOPWM01  
Required for controlling  
DMX, DALI or DSI

DIMSLIM EA02  
Dimline Booster

DIMSLIM FDA-P1H  
Resistive Dimmer Interface

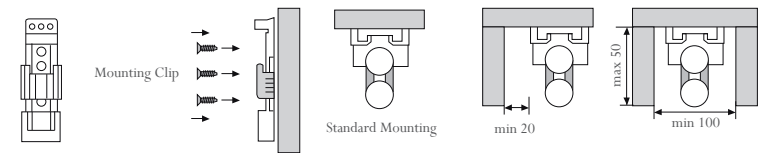
# External Dimension

12

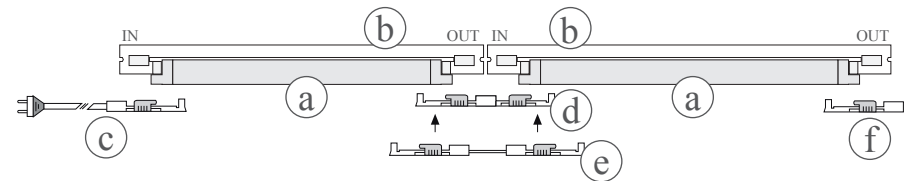


A (mm)	B (mm)	C (mm)	D (mm)	E (mm)
580	500	45	26.6	34
880	800	45	26.6	34
1180	1100	45	26.6	34

# Mounting



# Connection



The diagram above shows the basic parts that you require for connecting the Slimline products together. The products required would be Slimline fittings(a), fluorescent tube(b) and power lead(c). To connect more fittings together either use a direct coupler(d) for seamless lighting or a coupler with a lead(e). Please note that the end cap(f) is included with every Slimline fitting(a).



**Seamless Dimmable LED**

Slimline LED's innovative design is the solution for eliminating dark spots in cove lighting.

This unique and efficient fixture removes socket shadowing by placing the lamps closer together to provide seamless illumination. It is an excellent lighting solution for display shelving, cove lighting and under bar feature lighting.

**Product Benefits and Features**

- Rigid aluminum extruded body permits effective heat emission
- Dark spot free at the linking point
- Transparent, Ivory white Diffuser
- Eco friendly product, No emission of Mercury and CO<sub>2</sub>
- AC power driver built in (SMPS is not needed)
- Compatible with accessories for fluorescent DimSlimLine by PWM controller

Wattage	10W			20W		
Length	505mm			1005mm		
Voltage	AC 220~240V			AC 220~240V		
Frequency	50/60Hz			50/60Hz		
Operating temperature	0~50°C			0~50°C		
Lamp life	30,000hr			30,000hr		
Energy efficiency	60 lm/W			60 lm/W		
Color temperature	3000K	4000K	6500K	3000K	4000K	6500K
Color rendering (Ra)	80	80	70	80	80	70
Max.Connection	10pcs			10pcs		





# Feeled Slimline

dimming

## Feeled Slimline Body Part No.



LSLL10AB23NN N/T 10W, 505mm no tube  
LSLL20AB23NN N/T 20W, 1005mm no tube

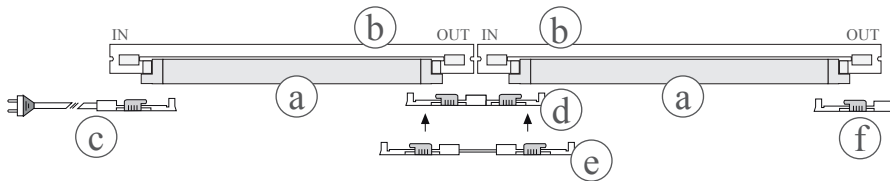
## Feeled Slimline Tubes Part No.



LSLL10T/H 3000K 10W WARM WHITE  
LSLL10T/H 4000K 10W COOL WHITE  
LSLL10T/H 6500K 10W DAYLIGHT

LSLL20T/H 3000K 20W WARM WHITE  
LSLL20T/H 4000K 20W COOL WHITE  
LSLL20T/H 6500K 20W DAYLIGHT

## Connection



The diagram above shows the basic parts that you require for connecting the Slimline products together. The products required would be Slimline fittings(a), fluorescent tube(b) and power lead(c). To connect more fittings together either use a direct coupler(d) for seamless lighting or a coupler with a lead(e). Please note that the end cap(f) is included with every Slimline fitting(a).

## Accessories



DSLLOPC240  
power lead 1800mm



SLLCPL/T  
direct coupler



DSLLPTC/T  
150mm coupler



DSLLPTC1/T  
300mm coupler



DSLLPTC2/T  
600mm coupler



DSLLPTC4/T  
1200mm coupler



DSLLPTC6/T  
1800mm coupler

## Interface



DIMSLIM DA02V110  
required for dimming 0-10V  
or 1-10V



DIMSLIM DTOPWM01  
Required for controlling  
DMX, DALI or DSI



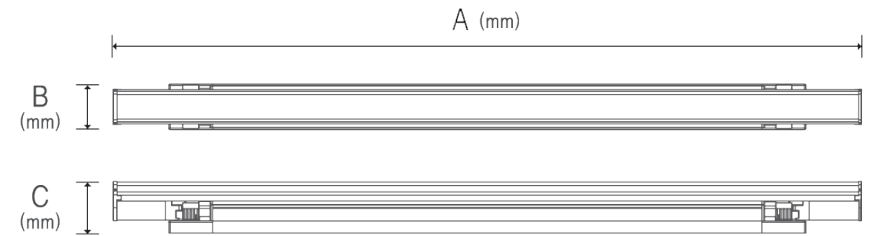
DIMSLIM EA02  
Dimline Booster



DIMSLIM FDA-P1H  
Resistive Dimmer Interface

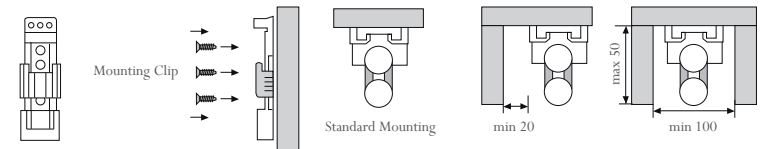
# External Dimension

14



Model Name	Lamp Power (W)	A (mm)	B (mm)	C (mm)
LSLL10AB23/T	10	505	33	37.5
LSLL20AB23/T	20	1005	33	37.5

## Mounting



Feeled Slimline 10W fixture  
/ Length 505mm



Feeled Slimline 20W fixture  
/ Length 1005mm



For subtle or stunning effects you can't beat the simplicity of a coloured sleeve, simply slide the sleeve over the fluorescent lamp for an instant transformation of lighting mood. The coloured sleeves are totally fade free.

These sleeves are specifically made for the seamless lamp allowing for the bent ends. These sleeves are made from polycarbonate tubing with colour extruded in.

The part number is SLLDDP1 (for 14W and 24W), SLLDDP2 (for 21W and 39W) and SLLDDP3 (for 28W and 54W). Add the colour below to the end of the part number.

# Colours available are:

Ice Blue  
Sky Blue  
Royal Blue  
Purple  
Lavender  
Pink  
Candy Pink  
Red  
Light Red  
Orange  
Light Orange  
Chrome Green  
Leaf Green  
Acid Yellow  
Candlelight





<b>Wall Box - Feelux TCS1</b>	3 wires to dimmer		<b>16</b>
<b>Wall Box - Feelux TCS2</b>	6 wires to dimmer		
<b>Wall Box -FSA-P2D</b>	8 wires to dimmer		
<b>1-10V - Dimmer</b>	4 wires to dimmer		
<b>1-10V - Lutron</b>	4 wires to dimmer		
<b>1-10V - Wise Controls</b>	0 wires to dimmer		
<b>1-10V - Rako Controls</b>	0 wires to dimmer		
<b>0-10V - Lutron 0-10V</b>	4 wires to dimmer		
<b>1-10V - Mode</b>	8 wires to dimmer		
<b>1-10V - PIR</b>	5 wires to dimmer		
<b>Resistive - Normal</b>	2 wires to dimmer		
<b>Resistive - Lutron</b>	4 wires to dimmer		
<b>DMX - Mode</b>	5 wires to dimmer		
<b>DMX - Sunlite</b>	5 wires to dimmer		
<b>Wireless - Feelux FLS-2</b>	0 wires to dimmer		

# 17 Fluorescent 0-10V Interface

0/1-10V PWM decoder for dimming DimLine/Feelux Slimline via an external dimming control system

The new DA02V10 - 0/1-10V DimLine Interface is the new revolutionary pack from Feelux that enables the Dimline fluorescent fitting to be controlled using 0/1-10V. This allows them to be dimmed by many well known and respected dimming systems such as Lutron, Leax, Rako and Wise Controls. The interface allows 20 DimLine fittings to be connected to it in two rows of 10.

A booster is available to allow an extra 2 rows of 10 DimLine fittings if needed.

See pages 19-28 for wiring diagrams.



Part Code	DIMSLIM DA02V10
Construction	Plastic
Length	150mm
Width	58mm
Depth	35mm
Voltage	240V
Channels	2
Max Connection of Fittings	2 x 10

# Normal Resistive Dimming Interface

Resistive Dimmer Interface, dims Dimline and Dimslim Products with normal resistive dimming

The Resistive Dimmer Interface is used to dim our range of Dimslim and Dimline products from a normal (resistive) dimmer.

When using the Resistive Dimmer Interface. You do not require any other interfaces to dim your Dimslim / Dimline fluorescents.

This unit is compatible with the Lutron Grafik Eye and all resistive dimmers.

See pages 29-30 for wiring diagrams.



Part Code	DIMSLIM FDA-P1H
Construction	Plastic
Length	200mm
Width	48mm
Depth	35mm
Voltage	240V
Channels	1
Max Connection of Fittings	1 x 10

# Feelux Booster

The Feelux Booster allows more fittings to be added to one dimmer

The Feelux Booster is used in conjunction with our Seamless DimLine/DimSlim range of products. Currently, if using a Feelux wired dimming switch or interface, a maximum of 10 fluorescent fittings can be used per channel. Use this product at the tenth fitting from the dimming switch or interface and the connecting capability extends by 20 more pieces.

Each booster can run 2 channels with 10 fluorescent fittings on each and up to 400W per dimmer regardless of channel. A separate power feed is required. Multiple boosters can be used.



Part Code	DIMSLIM EA02
Max Wattage	400W
Construction	Plastic
Length	115mm
Width	23mm
Depth	45mm
Voltage	240V
Max Connection of Fittings	2 x 10

## Fluorescent DMX, DSI and DALI Interface

DMX, DSI and DALI decoder for dimming DimSlim via an external dimming control system

The DimSlim DTOPWM01 Interface has the DALI, DSI and DMX input protocols. This means that you can dim the DimLine with the following control systems: Lutron, Cbus, Leax, I-Light, Crestron, Rako, Helvar, Dynalite, etc. Both DALI and DMX will operate 4 separate circuits. The DSI will dim all outputs together.

The maximum load per channel (4 channels in total) is 1740 watts but the total load on the interface must not exceed 3500 watts.

See pages 31-32 for wiring diagrams.



Part Code	DTOPWM01
Construction	Plastic
Length	208mm
Width	85mm
Depth	68mm
Voltage	240V
Channels	2
Max Connection of Fittings	1 x 10

## DMX Interface

DMX Lighting Interface (DMX512 to PWM Translator)

The DMX interface is compatible with all DMX dimmers. This means that you can dim the DimLine with the following control systems: Lutron, Cbus, Leax, I-Light, Crestron, Rako, Helvar, Dynalite, etc.



Part Code	DIMSLIM FDA-P2M
Construction	Plastic
Length	200mm
Width	48mm
Depth	35mm
Voltage	240V
Channels	1
Max Connection of Fittings	1 x 10

## Fluorescent Dali Interface

Lighting Interface DALI 600W

The Dali Interface is compatible with all dimmers. Each Dali Interface will have a unique address for individual dimming on the same network.



Part Code	DIMSLIM DA02DALI
Construction	Plastic
Length	150mm
Width	58mm
Depth	35mm
Voltage	240V
Channels	2
Max Connection of Fittings	2 x 10

Wired Dimming Switch  
TCS1 Switch



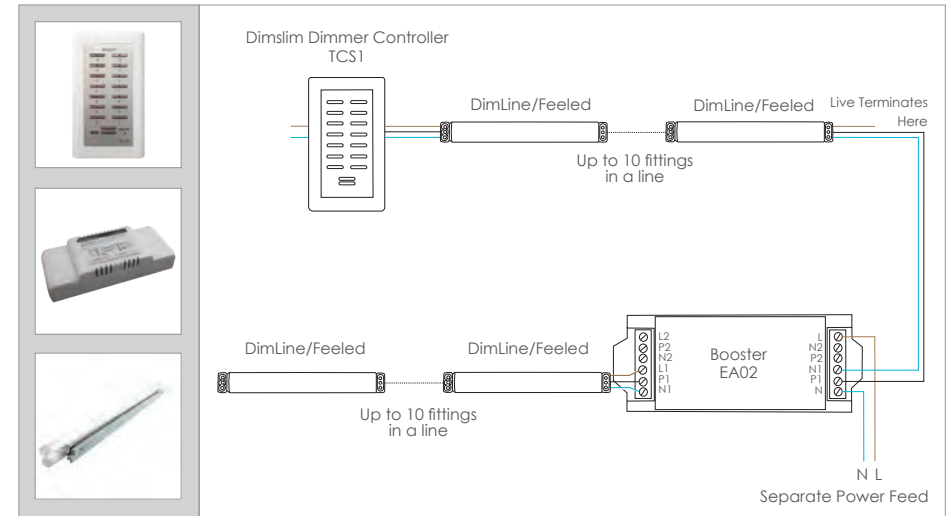
The TCS1 is a single circuit wired dimmer. It has 14 different brightness levels plus an on/off button. Simply press one of the 14 buttons to select a different light level. The TCS1 is wired directly to the DimLine with the power lead. No interface is required.

Product Code DIMSLIM TCS1  
Construction Plastic  
Maximum Wattage 300W  
Fitting Length 119mm  
Fitting Width 70mm  
Fitting Depth 37mm



a

Dimming - Wired



Key

- Live
- Neutral
- Negative
- Positive



TCS1 Back boxes

Metal Backbox for recessing into walls.

Product Code DIMSLIM TCS MET  
Construction Metal  
Fitting Length 102 mm  
Fitting Width 53 mm  
Fitting Depth 44 mm



Plastic Backbox for plaster walls.



Product Code DIMSLIM TCS PLA  
Construction Plastic  
Fitting Length 140 mm  
Fitting Width 62 mm  
Fitting Depth 60 mm

What do I need?

Name	DIMSLIM DIMMER	FITTINGS	POWER CORD	COUPLER	DIMLINE BOOSTER
Part No.	DIMSLIM TCS1	DSLL14 DSLL21 DSLL28 DSLL24 DSLL35 DSLL39 DSLL54 LSLL10 LSLL20	DSLLOPC230	DSLLOPTC DSLLOPTC1 DSLLOPTC2 DSLLOPTC4 DSLLOPTC6	DIMSLIM EA02
Quantity	1	1-30	1-3	1-27	1 *Optional

A TCS1 can run up to 10 fittings. If more than 10 fittings are required then a booster should be used. Each booster can run up to 20 fittings in two lines of 10 and requires a separate power feed. Multiple boosters can be used.

# Feelux TCS2

6 wires to dimmer

## Wired Dimming / Colour Temperature TCS2 Switch



The TCS2 is a single circuit wired dimmer. It has 7 different brightness levels and 7 different colour change settings. Two parallel lines of different colour temperature tubes would be used, ideally interna and day light tubes. Simply press one of the 7 buttons to select a different light level and press one of the other 7 buttons to choose a colour temperature. The TCS2 is wired directly to the DimLine with the power lead. No interface is required.

Product Code	DIMSLIM TCS2
Construction	Plastic
Maximum Wattage	300W
Fitting Length	119mm
Fitting Width	70mm
Fitting Depth	37mm



### TCS2 Back boxes

Metal Backbox for recessing into walls.

Product Code	DIMSLIM TCS MET
Construction	Metal
Fitting Length	102 mm
Fitting Width	53 mm
Fitting Depth	44 mm



Plastic Backbox for plaster walls.

Product Code	DIMSLIM TCS PLA
Construction	Plastic
Fitting Length	140 mm
Fitting Width	62 mm
Fitting Depth	60 mm

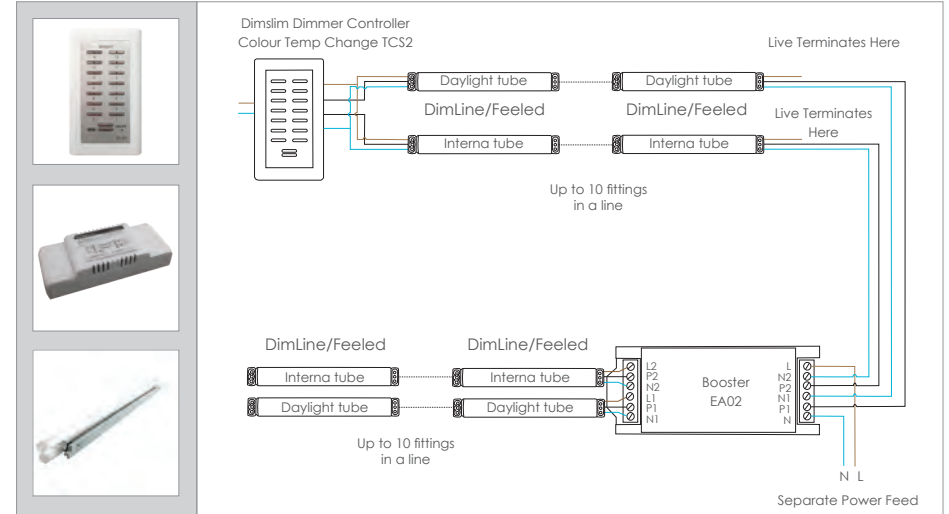


# b

## Dimming / Colour Temp

### Dimming DimLine with TCS2 - Dimming and Colour Temp Changing.

The TCS2 is a two circuit wired dimmer and colour controller. It has 7 different brightness levels, 7 different colour settings, plus an on/off button. The TCS2 is designed to be used with 1 interna tube and 1 daylight tube. You can then choose any colour from interna to daylight.



**Key**

- Live
- Neutral
- Negative
- Positive

## What do I need?

Name	DIMSLIM DIMMER	FITTING	POWER CORD	COUPLER	DIMLINE BOOSTER
Part No.	DIMSLIM TCS1	DSLL14 DSLL21 DSLL28 DSLL24 DSLL35 DSLL39 DSLL54 LSLL10 LSLL20	DSLLOPC230	DSLLPTC DSLLPTC1 DSLLPTC2 DSLLPTC4 DSLLPTC6	DIMSLIM EA02
Quantity	1	1-30	1-3	1-27	1 *Optional

A TCS2 can run up to 2 lines of 10 fittings. If more than 2 x 10 fittings are required then a booster should be used. Each booster can run up to 20 fittings and requires a separate power feed. Multiple boosters can be used.

# 21 Feelux FSA-P2D

## 2Channel 4Scene Sun In House system FSA-P2D Switch



2 Channel 4 Scene Sun In House system allowing control of different Feelux fittings with different colour temperatures, for whatever light you require.

SIH system applied allowing scenes to be saved or recalled by user.

Bedtime timer automatically turns light off at intervals programmed by user.

- 2 channel
- Max. Connection : 10pcs of DimSlim/DimSlimLine per channel and up to 350W per channel
- Input power : AC 220-240V, 110-130V
- Frequency : 50/60Hz
- Output protocol : PWM
- Dimension : W122 X H122 X D46 (mm)

Product Code	FSA-P2D
Construction	Plastic
Maximum Wattage	350W
Fitting Length	122mm
Fitting Width	122mm
Fitting Depth	50mm



### FSA-P2D Back boxes

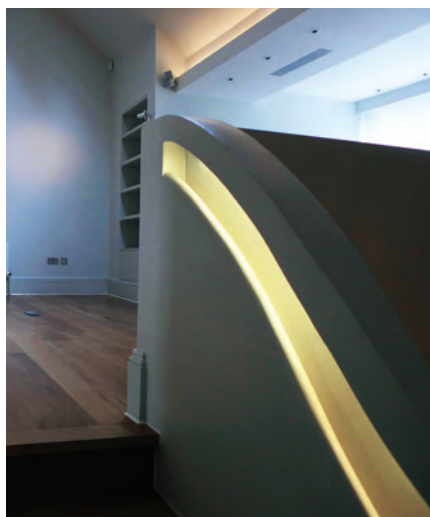
#### Metal Recessed Backbox

Product Code	DIMSLIM RMB-2
Construction	Metal
Fitting Length	101.6 mm
Fitting Width	101.8 mm
Fitting Width	44.5 mm




#### Plastic Surface Backbox

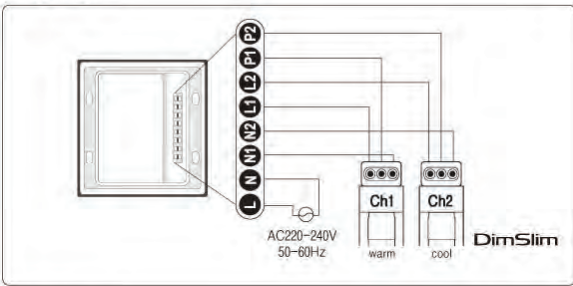
Product Code	DIMSLIM TPSB-2
Construction	Plastic
Fitting Length	115.4 mm
Fitting Width	118.5 mm
Fitting Width	42.6 mm



# C

## Dimming - Wired





**Wiring method**

1. Turn off the power before wiring.
2. Connect L/N with power cord.
3. Connect L1/P1/N1 to Channel 1.
4. Connect L2/P2/N2 to Channel 2.
5. Plug in.

Applicable wire : AWG 24-14 (0.2-2.08mm)  
Stripped length : 10-11mm  
L/N/P should be connected as specified. (L-Brown, N-Blue, P-Black)

## What do I need?

					
Name	SWITCH	FITTING	POWER CORD	COUPLER	DIMLINE BOOSTER
Part No.	FSA-P2D	DSLL14 DSLL21 DSLL28 DSLL24 DSLL35 DSLL39 DSLL54 LSLL10 LSLL20	DSLLOPC230	DSLLPTC DSLLPTC1 DSLLPTC2 DSLLPTC4 DSLLPTC6	DIMSLIM EA02
Quantity	1	1-30	1-3	1-27	1 *Optional

A FSA-P2D can run up to 10 fittings. If more than 10 fittings are required then a booster should be used. Each booster can run up to 20 fittings in two lines of 10 and requires a separate power feed. Multiple boosters can be used.



# 1-10V Dimmer

4 wires to dimmer



The DP1D is both a 1-10V potentiometer dimmer and a 240V push on/off switch. The DP1D dimmer can be fitted to any dimmer plate. This is a simple wired dimming solution.

Product Code DP1D 10VDC MB  
 Construction Plastic  
 Fitting Length 86mm  
 Fitting Width 86mm  
 Fitting Depth 35mm



## 0/1-10V interface for dimming DimLine

The DA02V10 - 0/1-10V DimLine Interface is the new revolutionary pack from Feelux that enables the Dimline fluorescent fitting to be controlled using 0/1-10V. This allows them to be dimmed by many well known and respected dimming systems such as Lutron, Leax, Rako and Wise Controls. The interface allows 20 DimLine fittings to be connected to it in two rows of 10.

A booster is available to allow an extra 2 rows of 10 DimLine fittings if needed.

Product Code DIMSLIM DA02V10  
 Construction Plastic  
 Length 150mm  
 Width 58mm  
 Depth 35mm  
 Voltage 240V  
 Channels 2  
 Max no. of Fittings 2 x 10 DimLine

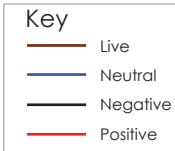
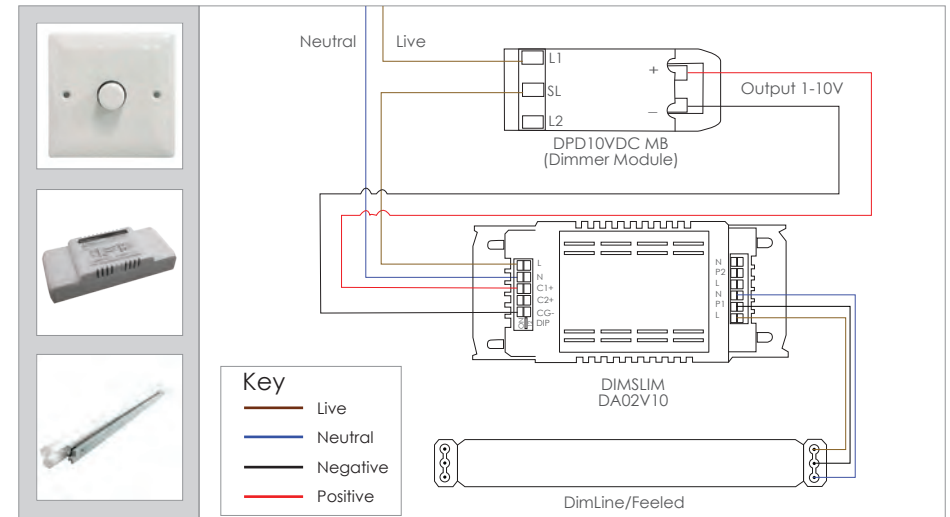


d

## Dimming - Wired

Dimming DimLine with a Danlers dimmer and the DA02V10 interface.

The DP1D 10VC MB can replace any existing dimmer module. This gives the user the option to adapt their existing system so that a minimal amount of maintenance is required.



## What do I need?

Name	DIMMER MODULE	FITTING	0-10V DIMLINE INTERFACE	COUPLER	POWER CORD
Part No.	DP1D 10VDC MB	DSLL14 DSLL21 DSLL28 DSLL24 DSLL35 DSLL39 DSLL54 LSLL10 LSLL20	DIMSLIM DA02V10	DSLLPTC DSLLPTC1 DSLLPTC2 DSLLPTC4 DSLLPTC6	DSLLOPC230
Quantity	1	1-20	1	1-18	1-2

Wired Dimming Switch

LNTV-F20BFAWM



The Lutron Lyneo LNTV-F20BFAWM is a 0-10V dimmer. It needs to be used in conjunction with a 1-10V Interface and will allow up to 20 DimLine fittings to be controlled.

Product Code	LNTV-F20BFAWM
Construction	Plastic
Maximum Wattage	300W
Length	85mm
Width	85mm
Depth	35mm



0/1-10V interface for dimming DimLine

The DA02V10 - 0/1-10V DimLine Interface is the new revolutionary pack from Feelux that enables the Dimline fluorescent fitting to be controlled using 0/1-10V. This allows them to be dimmed by many well known and respected dimming systems such as Lutron, Leax, Rako and Wise Controls. The interface allows 20 DimLine fittings to be connected to it in two rows of 10.

A booster is available to allow an extra 2 rows of 10 DimLine fittings if needed.

Product Code	DIMSLIM DA02V10
Construction	Plastic
Length	150mm
Width	58mm
Depth	35mm
Voltage	240V
Channels	2
Max no. of Fittings	2 x 10 DimLine

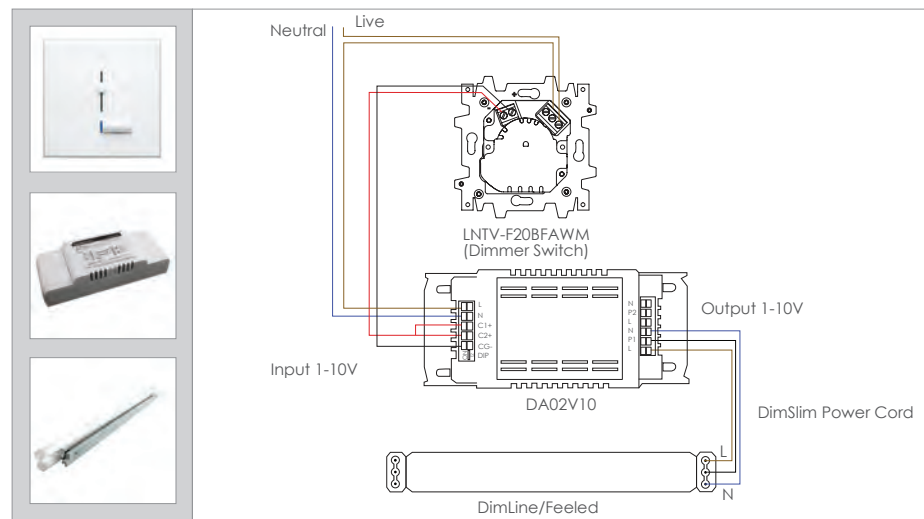


e

Dimming - Wired

Dimming DimLine with a Lyneo Dimmer - Simple Wired Dimming.

The Lyneo dimmer can be placed in a standard single 35mm back box and provides a simple dimming option in small installations.



**Key**

- Live
- Neutral
- Negative
- Positive

What do I need?

Name	DIMMER MODULE	FITTING	0-10V DIMLINE INTERFACE	COUPLER	POWER CORD
Part No.	DP1D 10VDC MB	DSLL14 DSLL21 DSLL28 DSLL24 DSLL35 DSLL39 DSLL54 LSLL10 LSLL20	DIMSLIM DA02V10	DSLLPTC DSLLPTC1 DSLLPTC2 DSLLPTC4 DSLLPTC6	DSLLGPC230
Quantity	1	1-20	1	1-18	1-2

# Wise Controls 1-10V 0 wires to dimmer

## Wireless Dimming Switch WISESCENE 0-10V



The WisePack 0-10V Dimmer allows you to dim any 0-10V or 1-10V fluorescent fitting. No switch lines are needed making this controller very flexible as to where you want it to be located or concealed.

Use in conjunction with any 1 button switch or remote from our Wise Range of products. Simply press once to turn your fitting on or off or hold to dim up or down.

Switch Code	WISEIDDSW1 PS
WisePack Code	WISESCENE 0-10V
Construction	Metal
Height	86mm
Width	86mm
Depth	25mm
Plate Depth	1.5mm



## 1-10V interface for dimming DimLine

The DA02V10 - 0-10V DimLine Interface is the new revolutionary pack from Feelux that enables the Dimline fluorescent fitting to be controlled using 0-10V. This allows them to be dimmed by many well known and respected dimming systems such as Lutron, Leax, Rako and Wise Controls. The interface allows 20 DimLine fittings to be connected to it in two rows of 10.

A booster is available to allow an extra 2 rows of 10 DimLine fittings if needed.

Product Code	DP1D 10VDC MB
Construction	Plastic
Length	150mm
Width	58mm
Depth	35mm
Voltage	240V
Channels	2
Max no. of fittings	2 x 10 DimLine



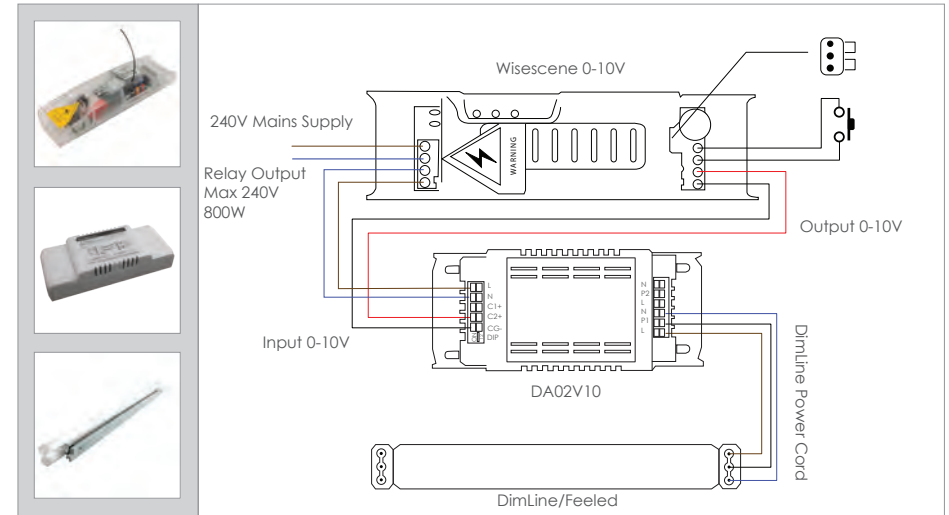
# f

## Dimming Scene - Wireless

24

### Dimming DimLine with Wise Scene Controls - Simple Wireless Dimming.

Using Wise Controls, 20 DimLine fittings (2 x lines of 10) can be controlled wirelessly from a single button. The switch is powered by a 3V CR2032 lithium battery, meaning switch lines are a thing of the past.



## What do I need?

Key	
<span style="color: brown;">—</span>	Live
<span style="color: blue;">—</span>	Neutral
<span style="color: black;">—</span>	Negative
<span style="color: red;">—</span>	Positive

Name	WISESCENE 0-10V DIMMER	WISEPLATE AND MODULE	FITTING	0-10V DIMLINE INTERFACE	COUPLER	POWER CORD
Part No.	WISESCENE 0-10V	WISEIDDSW1 PS	DSLL14 DSLL21 DSLL28 DSLL24 DSLL35 DSLL39 DSLL54 LSLL10 LSLL20	DIMSLIM DA02V10	DSLLPTC DSLLPTC1 DSLLPTC2 DSLLPTC4 DSLLPTC6	DSLLOPC230
Quantity	1	1	1-20	1	1-18	1-2

# Lutron 0-10V 4 wires to dimmer

## Wired Scene Dimming Switch GXI3104

The Lutron GRAFIK Integrale can interface with the following systems: 0-10V and DSI. The Integrale has a minimum load of 10W per circuit.



GRAFIK Eye® preset dimming controls increase the functionality, flexibility and beauty of any space, from the simplest residential applications to the most complex commercial applications. One standard product family handles virtually any job.



Product Code	GXI3104
Construction	Plastic/Metal
Circuit Wattage	800W
Maximum Wattage	2300W
Fitting Width	226mm
Fitting Height	115mm
Fitting Depth	60mm
Back Box Depth	78mm

### 0/1-10V interface for dimming DimLine

The DA02V10 - 0/1-10V DimLine Interface is the new revolutionary pack from Feelux that enables the Dimline fluorescent fitting to be controlled using 0/1-10V. This allows them to be dimmed by many well known and respected dimming systems such as Lutron, Leax, Rako and Wise Controls. The interface allows 20 DimLine fittings to be connected to it in two rows of 10.

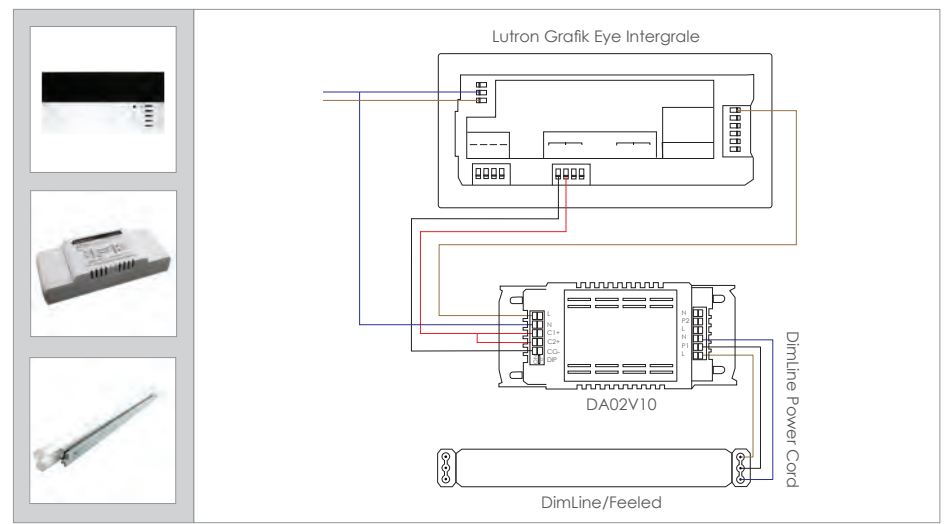
A booster is available to allow an extra 2 rows of 10 DimLine fittings if needed.

Product Code	DIMSLIM DA02V10
Construction	Plastic
Length	150mm
Width	58mm
Depth	35mm
Voltage	240V
Channels	2
Max no. of fittings	2 x 10 DimLine



## Scene - Wired

**Dimming DimLine with Grafik Integrale - Scene Setting Dimming.**  
The information below is based on a single circuit being utilised from the Grafik Eye Integrale. If all 4 circuits of the integrale are required simply repeat the instructions below for the other channels.



Key	
<span style="color: red;">—</span>	Live
<span style="color: blue;">—</span>	Neutral
<span style="color: black;">—</span>	Negative
<span style="color: red;">—</span>	Positive

## What do I need?

Name	LUTRON GRAFIK INTEGRALE	FITTING	0-10V DIMLINE INTERFACE	COUPLER	POWER CORD
Part No.	GXI3104TCE	DSLL14 DSLL21 DSLL28 DSLL24 DSLL35 DSLL39 DSLL54 LSLL10 LSLL20	DIMSLIM DA02V10		DSLLOPC230
Quantity	1	1-20	1	1-18	1-2

# Rako Controls 1-10V 0 wires to dimmer

## Wireless Scene Dimming Switch RDF800C



The RAKO 0-10V Fluorescent Pack is a compact 800W RF dimmer for 0-10V analogue fluorescents. The unit is connected in-line before the first light fitting, to enable dimming of up to 800W of 0-10V dimmable loads. The robust microprocessor design combines smooth reliable dimming with dynamic safety features such as auto-resetting over current, temperature shutdown and voltage surge protection. Its scene setting capabilities enable different moods to be created for a room.

Product Code RDF800C  
 Construction Plastic  
 Maximum Wattage 800W  
 Height 86mm  
 Width 86mm  
 Depth 14mm



## 0/1-10V interface for dimming DimLine

The new DA02V10 - 0/1-10V DimLine Interface is the new revolutionary pack from Feelux that enables the Dimline fluorescent fitting to be controlled using 0/1-10V, this allows them to be dimmed by many well known and respected dimming systems such as Lutron, Leax, Rako and Wise Controls. The interface allows 20 DimLine fittings to be connected to it in two rows of 10.

A booster is available to allow an extra 2 rows of 10 DimLine fittings if needed.

Product Code DIMSLIM DA02V10  
 Construction Plastic  
 Length 150mm  
 Width 58mm  
 Depth 35mm  
 Voltage 240V  
 Channels 2  
 Max no. of Fittings 2 x 10 DimLine

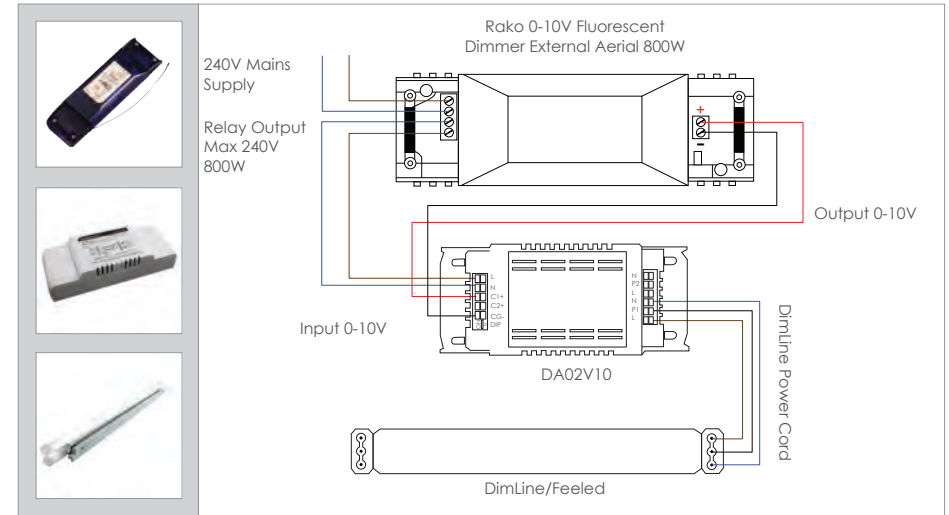


# h

## Scene - Wireless

### Dimming DimLine with Rako - Wireless Scene Dimming.

Using Rako, 20 DimLine fittings (2 x lines of 10) can be controlled wirelessly from a single wall panel. Powered by 2 x CR2016 lithium batteries, Rako Controls means switch lines are a thing of the past.



**Key**

- Live
- Neutral
- Negative
- Positive

## What do I need?

Name	RAKO 0-10V FLUORESCENT DIMMER	RAKO WALL SWITCH	FITTING	0-10V DIMLINE INTERFACE	COUPLER	POWER CORD
Part No.	RDF800C	RCP07	DSLL14 DSLL21 DSLL28 DSLL24 DSLL35 DSLL39 DSLL54 LSLL10 LSLL20	DIMSLIM DA02V10	DSLLPTC DSLLPTC1 DSLLPTC2 DSLLPTC4 DSLLPTC6	DSLLOPC230
Quantity	1	1	1-20	1	1-18	1-2

Wired 1-10V RGB Colour Change

COLLCD512 BLK



The ColourStyle DMX 512 Channel is a feature-rich programmable DMX controller designed to offer comprehensive and intuitive control of all DMX fittings. It is ideal for both commercial and residential installations such as restaurants, bars, hotels, modern residential interiors, lightscapes, retail outlets, point-of-sale, illuminated signs and exhibition stands. It also has 3 0-10V control outputs, enabling easy control of Dimline

Product Code	COLLCD512 BLK
Construction	Aluminium
Fitting Length	119mm
Fitting Width	70mm
Fitting Depth	37mm
Back Box	47mm



0/1-10V interface for dimming DimLine

The DA02V10 - 0/1-10V DimLine Interface is the new revolutionary pack from Feelux that enables the Dimline fluorescent fitting to be controlled using 0/1-10V. This allows them to be dimmed by many well known and respected dimming systems such as Lutron, Leax, Rako and Wise Controls. The interface allows 20 DimLine fittings to be connected to it in two rows of 10.

A booster is available to allow an extra 2 rows of 10 DimLine fittings if needed.

Product Code	DIMSLIM DA02V10
Construction	Plastic
Length	150mm
Width	58mm
Depth	35mm
Voltage	240V
Channels	2
Max no. of Fittings	2 x 10 DimLine

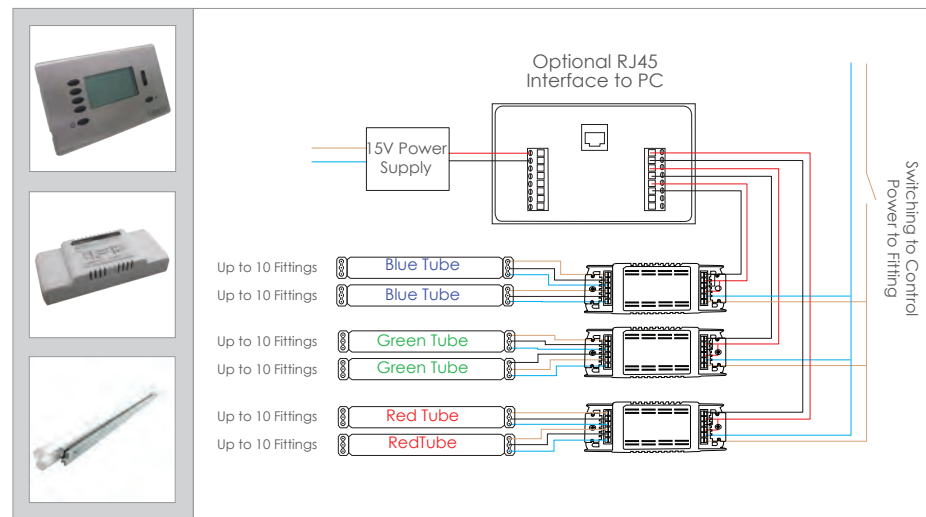


i

Colour Change 1-10V

Dimming DimLine with Grafik Eye - Scene Setting Dimming.

Using DMX allows you to mix the fluorescent tubes together, blending the colours to create new colours. A minimum of 3 fluorescent tubes are required to make this work, a Red, a Blue, and a Green.



Key

	Live
	Neutral
	Negative
	Positive

What do I need?

Name	COLOUR DMX512 CHANNEL	0-10V DIMLINE INTERFACE	FITTINGS	COUPLER	POWER CORD
Part No.	COLLCD512	DIMSLIM DA02V10	DSL14 DSL21 DSL28 DSL24 DSL35 DSL39 DSL54 LSL10 LSL20	DSL1PTC DSL2PTC1 DSL2PTC2 DSL2PTC4 DSL2PTC6	DSL1OPC230
Quantity	1	3	3-60	3-54	3-6

# PIR 1-10V

5 wires to dimmer

## Wired Dimming Sensor

CEFL PIRDD 10VDC



Ceiling flush-mounted PIR occupancy switch with daylight linked dimming. Bring lights on only when area is occupied. Automatically dim lights according to ambient light level, to maintain constant brightness of between 100 and 1000 lux (adjustable). Adjustable time lag before switching off. For suspended or plaster-board ceilings.

Product Code CEFL PIRDD 10VDC  
 Construction Plastic  
 Diameter 72mm  
 Depth 65mm  
 Cutout 64mm  
 Timelag 10 sec - 40 min



## 0/1-10V interface for dimming DimLine

The DA02V10 - 0/1-10V DimLine Interface is the new revolutionary pack from Feelux that enables the Dimline fluorescent fitting to be controlled using 0/1-10V. This allows them to be dimmed by many well known and respected dimming systems such as Lutron, Leax, Rako and Wise Controls. The interface allows 20 DimLine fittings to be connected to it in two rows of 10.

A booster is available to allow an extra 2 rows of 10 DimLine fittings if needed.

Product Code DIMSLIM DA02V10  
 Construction Plastic  
 Length 150mm  
 Width 58mm  
 Depth 35mm  
 Voltage 240V  
 Channels 2  
 Max no. of Fittings 2 x 10 DimLine

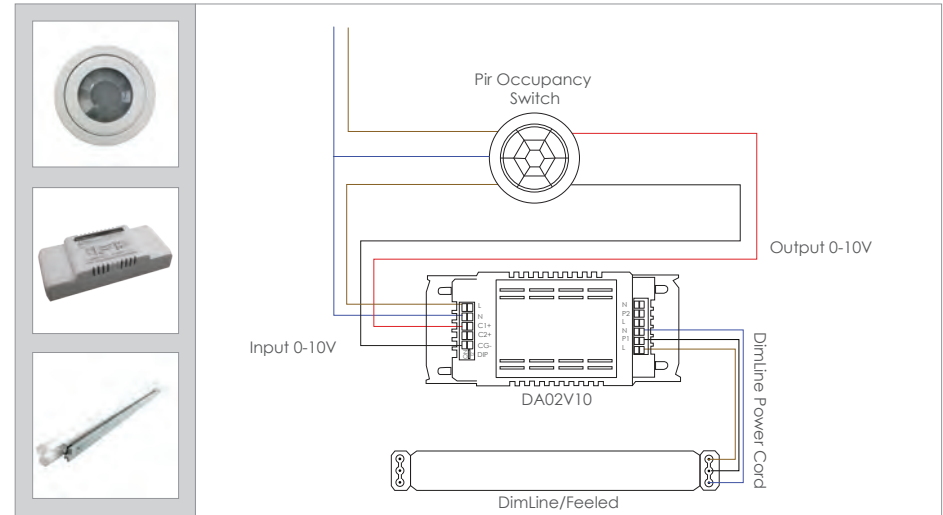


# j

## Dimming Sensor

### Dimming Sensor with Danlers Switch - Scene Setting Dimming.

The PIR Occupancy Switch has a permanent feed to it. Power and a control pair are then taken to the DA02V10 interface.



**Key**

- Live
- Neutral
- Negative
- Positive

## What do I need?

Name	PIR OCCUPANCY SWITCH	FITTINGS	0-10V DIMLINE INTERFACE	COUPLER	POWER CORD
Part No.	CEFL PIRDD 10VDC	DSLL14 DSLL21 DSLL28 DSLL24 DSLL35 DSLL39 DSLL54 LSLL10 LSLL20	DIMSLIM DA02V10	DSLLPTC DSLLPTC1 DSLLPTC2 DSLLPTC4 DSLLPTC6	DSLLOPC230
Quantity	1	1-20	1	1-18	1-2

# 29 Normal Resistive Dimming

## Resistive Dimming

DIMSLIM FDA-P1H



Normal Dimmer

The new 'FDA-P1H' Dimming Interface is the new revolutionary pack from Mr Reistor which allows the Feelux Dimslim, Feeled Slimline and Dimline fittings to be dimmed on a normal resistive dimmer.

- Dims Feelux Dimline and Dimslim Products with normal resistive dimming
- Environmentally friendly, saves energy and money.
- Interface is designed to be small enough to fit through the hole of a downlight.
- Can be used with existing conventional wiring if permanent live is present.

## Resistive Dimmer Interface

The Resistive Dimmer Interface is used to dim our range of Dimslim and Dimline products from a normal (resistive) dimmer.

When using the Resistive Dimmer Interface, you do not require any other interfaces to dim your Dimslim / Dimline fluorescents.

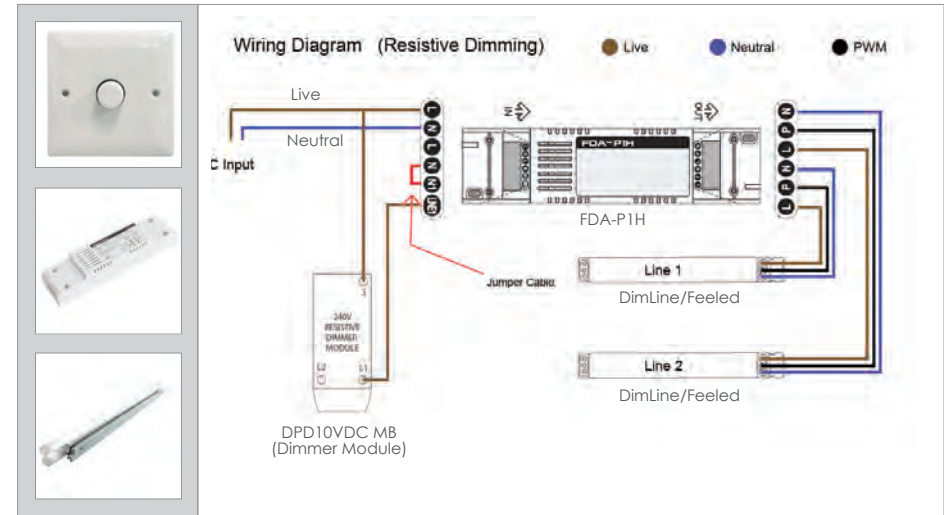
Product Code	DIMSLIM FDA-P1H
Construction	Plastic
Length	200mm
Width	48mm
Depth	35mm
Voltage	240V
Channels	1
Max Wattage	400W
Max no. of Fittings	1 x 10 DimLine



# k Dimming - Wired

## Dimming DimLine with TCS1 - Simple Wired Dimming.

The TCS1 is a single circuit wired dimmer. It has 14 different brightness levels plus an on/off button. Simply press one of the 14 buttons to select a different light level.



## What do i need?

Name	DIMMER MODULE	FITTING	Resistive Dimmer Interface	COUPLER	POWER CORD
Part No.	-	DSLL14 DSLL21 DSLL28 DSLL24 DSLL35 DSLL39 DSLL54 LSLL10 LSLL20	DIMSLIM FDA-P1H	DSLLPTC DSLLPTC1 DSLLPTC2 DSLLPTC4 DSLLPTC6	DSLLGPC230
Quantity	1	1-20	1	1-18	1-2



# Lutron Resistive Dimming

## Resistive Dimming

DIMSLIM FDA-P1H



The new 'FDA-P1H' Dimming Interface is the new revolutionary pack from Mr Reistor which allows the Feelux Dimslim, Feeled Slimline and Dimline fittings to be dimmed on a Lutron Grafik Eye.

- Is compatible with Lutron products including the Grafik Eye plus a variety of other lighting systems available.
- Environmentally friendly, saves energy and money.
- Interface is designed to be small enough to fit through the hole of a downlight.
- Can be used with existing conventional wiring if permanent live is present.

## Resistive Dimmer Interface

The Resistive Dimmer Interface is used to dim our range of dimslim and dimline products from a normal (resistive) dimmer.

When using the Resistive Dimmer Interface, you do not require any other interfaces to dim your Dimslim / Dimline fluorescents.

Product Code	DIMSLIM FDA-P1H
Construction	Plastic
Length	200mm
Width	48mm
Depth	35mm
Voltage	240V
Channels	1
Max Wattage	400W
Max no. of Fittings	1 x 10 DimLine

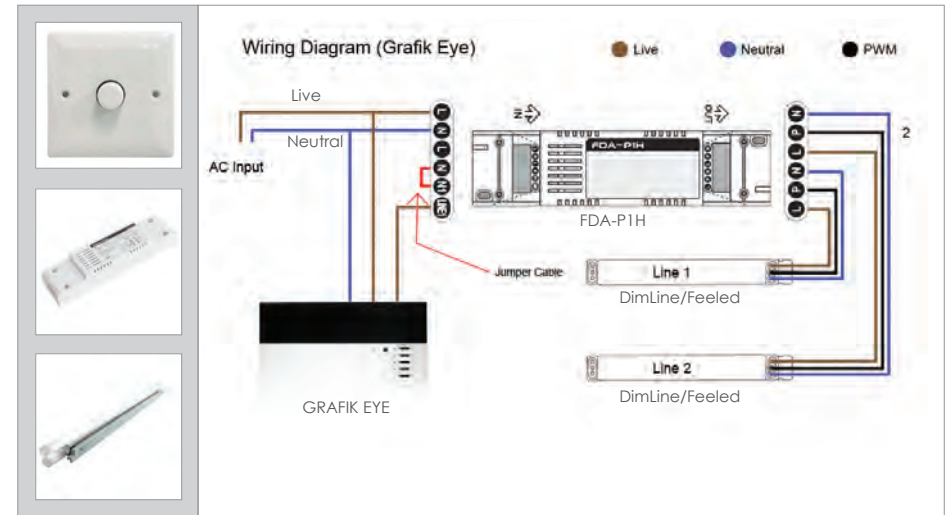


# 1



## Dimming - Wired

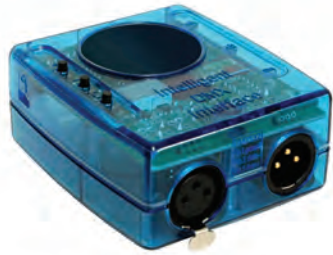
### Dimming DimLine with TCS1 - Simple Wired Dimming.

The TCS1 is a single circuit wired dimmer. It has 14 different brightness levels plus an on/off button. Simply press one of the 14 buttons to select a different light level.



## What do i need?

					
Name	LUTRON GRAFIK INTEGRALE	FITTING	Resistive Dimmer Interface	COUPLER	POWER CORD
Part No.	GX13104TCE	DSLL14 DSLL21 DSLL28 DSLL24 DSLL35 DSLL39 DSLL54 LSLL10 LSLL20	DIMSLIM FDA-P1H	DSLLPTC DSLLPTC1 DSLLPTC2 DSLLPTC4 DSLLPTC6	DSLLOPC230
Quantity	1	1-20	1	1-18	1-2



The Sunlite DMX controller allows the creation of almost any scene or sequence from PC based software. By utilising this powerful software and stand alone control unit it is possible to operate the Dimline using the DTOPWM01 interface. Colour changing can be done using red, green and blue tubes, or colour temperature control can be achieved using different white tubes.

Product Code DMX00248  
 Construction Plastic  
 Fitting Length 94mm  
 Fitting Width 80mm  
 Fitting Depth 42mm



DMX interface for dimming DimLine

The DimSlim DTOPWM01 Interface has the DALI, DSI and DMX input protocols. This means that you can dim the DimLine with the following control systems: Lutron, Cbus, Leax, I-Light, Crestron, Rako, Helvar, Dynalite, etc. Both DALI and DMX will operate 4 separate circuits. The DSI will dim all outputs together.

The maximum load per channel (4 channels in total) is 1740 watts, but the total load on the interface must not exceed 3500 watts.

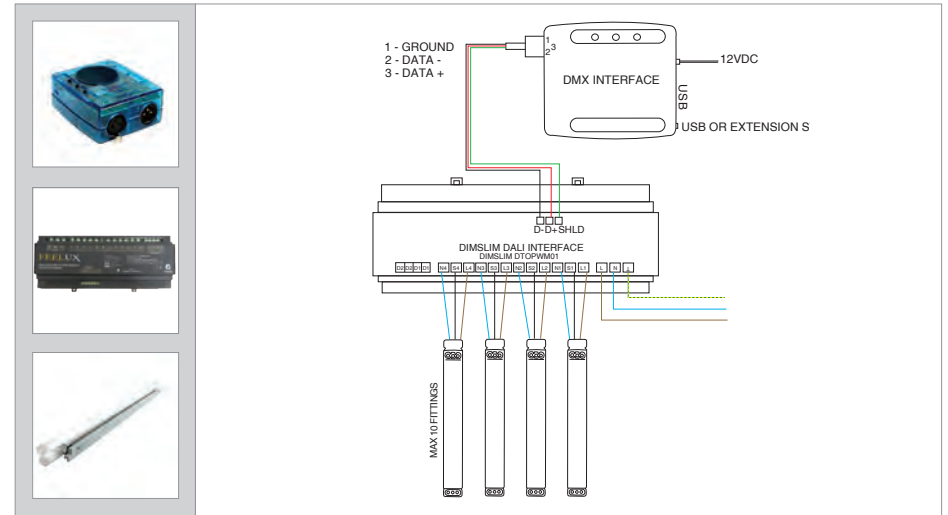
Construction Plastic  
 Length 210mm  
 Width 85mm  
 Depth 70mm  
 Voltage 240V  
 Channels 4  
 Maximum Wattage 3500W



DMX Controller - Wired

Dimming DimLine with DMX.

A power feed is run to the DTOPWM01 interface to provide power. A 3 core DMX cable is wired from the Sunlite pack to the DTOPWM01. If more than one DTOPWM01 is required then the DMX cable should be looped from one to the next.



Key

- Live (red line)
- Neutral (blue line)
- Negative (black line)
- Positive (yellow line)

What do I need?

Name	SUNLITE CONTROLLER	FITTING	DIMLINE DALI/DSI/DMX INTERFACE	COUPLER	POWER CORD
Part No.	DMX00248	DSLL14 DSLL21 DSLL28 DSLL24 DSLL35 DSLL39 DSLL54 LSLL10 LSLL20	DIMSLIM DTOPWM01	DSLLPTC DSLLPTC1 DSLLPTC2 DSLLPTC4 DSLLPTC6	DSLLOPC230
Quantity	1	1-250	1	1-250	1-25

# Mode DMX

5 wires to dimmer

## Wired DMX Dimming

COLLCD512 BLK



The ColourStyle DMX 512 Channel is a feature-rich programmable DMX controller, designed to offer comprehensive and intuitive control of all DMX fittings. It is ideal for both commercial and residential installations such as restaurants, bars, hotels, modern residential interiors, lightscapes, retail outlets, point-of-sale, illuminated signs and exhibition stands. This fitting does not come with a front plate which is sold separately.

Product Code COLLCD512BLK  
 Construction Aluminium  
 Fitting Length 119mm  
 Fitting Width 70mm  
 Fitting Depth 37mm



## DMX interface for dimming DimLine

The DimSlim DTOPWM01 Interface has the DALI, DSI and DMX input protocols. This means that you can dim the DimLine with the following control systems: Lutron, Cbus, Leax, I-Light, Crestron, Rako, Helvar, Dynalite, etc. Both DALI and DMX will operate 4 separate circuits. The DSI will dim all outputs together.

The maximum load per channel (4 channels in total) is 1740 watts, but the total load on the interface must not exceed 3500 watts.

Construction Plastic  
 Length 210mm  
 Width 85mm  
 Depth 70mm  
 Voltage 240V  
 Channels 4  
 Maximum Wattage 3500W

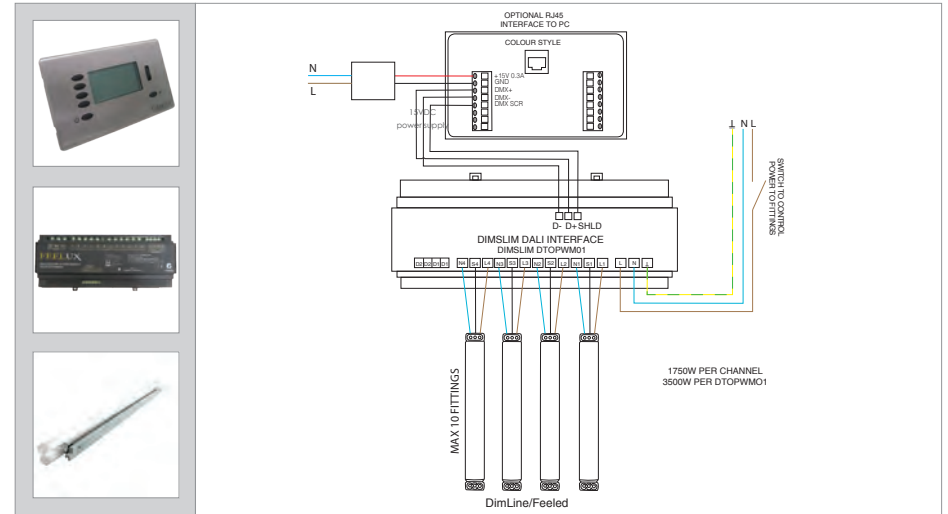


# n

## DMX Controller

### Dimming DimLine with DMX

The DimLine can only be positioned in a run of 10 fittings but as the total load of the DimLine Dali interface is 3500W, more fittings can actually be added. You can branch off more than 1 line of 10 fittings from a circuits terminal block. As long as you ensure that each circuit will not go above 1750W, and the total load of the unit does not go above 3500W. This means that all 4 circuits CANNOT control 1750W.



**Key**

- Live
- Neutral
- Negative
- Positive

## What do I need?

Name	COLOUR DMX512 CHANNEL	FITTINGS	DIMLINE DALI /DSI/DMX INTERFACE	COUPLER	POWER CORD
Part No.	COLLCD512	DSLL14 DSLL21 DSLL28 DSLL24 DSLL35 DSLL39 DSLL54 LSL10 LSL20	DIMSLIM DTOPWM01	DSLLPTC DSLLPTC1 DSLLPTC2 DSLLPTC4 DSLLPTC6	DSLLOPC230
Quantity	1	1-100	1	1-90	1-10

## Wireless Dimming Switch

FLS-2

It is important for people today to understand the influence of light to emotions, and apply it to everyday life. By controlling different light colours, it can greatly benefit your daily life. FLS-2 provides an easy method to control light levels with the Zigbee wireless communication system.

### Product Features and Benefits

- 8 channel Zigbee control system
- Wireless Zigbee control
- 8 scene memorise recall
- Use battery or adapter for power supply
- Simulate sunrise/sunset with warm and cool colour light



Product Code	FLS-2
Construction	Plastic
Maximum Load	10 Fittings
Fitting Length	120mm
Fitting Width	70mm
Fitting Depth	15.3mm

## Radio interface for dimming DimLine

The DA02Z Radio DimLine Interface is the new revolutionary pack from Feelux that enables the Dimline fluorescent fitting to be controlled using the FLS-2 wireless switch. Two parallel lines of different colour temperature tubes would be used, ideally interna and day light tubes would be used. Use the FLS-2 to select a colour temperature and dimming level.

Product Code	DP1D 10VDC MB
Construction	Plastic
Length	150mm
Width	58mm
Depth	35mm
Voltage	240V
Channels	2
Max no. of Fittings	2 x 10 DimLine

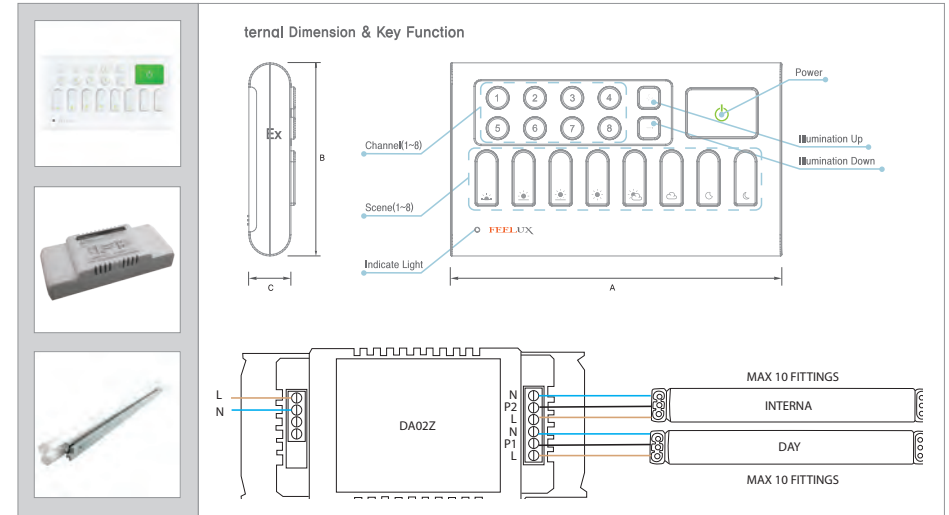


# O

## Zigbee Controller

### Dimming DimLine with Zigbee Controller - Simple Wireless Dimming.

The Zigbee controller, when used in conjunction with the 1-10V interface, can control and dim up to 20 dimline fittings. (2 rows of 10) Using a second interface will allow you to control a second 20 fittings.



Key	
	Live
	Neutral
	Negative
	Positive

## What do I need?

Name	COLOUR DMX512 CHANNEL	RECEIVER DIMLINE INTERFACE	FITTINGS	COUPLER	POWER CORD
Part No.	COLLCD512	DIMLINE DA02Z	DSLL14 DSLL21 DSLL28 DSLL24 DSLL35 DSLL39 DSLL54 LSLL10 LSLL20	DSLLPTC DSLLPTC1 DSLLPTC2 DSLLPTC4 DSLLPTC6	DSLLOPC230
Quantity	1	1	1-20	1-18	1-2

## What is Lumen Output?

The lumen (symbol: lm) is the SI unit of luminous flux, a measure of the perceived power of light. Luminous flux differs from radiant flux, the measure of the total power of light emitted, in that luminous flux is adjusted to reflect the varying sensitivity of the human eye to different wavelengths of light.

That is, a light source that uniformly radiates one candela in all directions radiates a total of  $4\pi$  lumens. If the source were partially covered by an ideal absorbing hemisphere, that system would radiate half as much luminous flux—only  $2\pi$  lumens. The luminous intensity would still be one candela in those directions that are not obscured.

## What is the different between Lumen and lux?

The difference between the units lumen and lux is that the lux takes into account the area over which the luminous flux is spread. A flux of 1000 lumens, concentrated into an area of one square metre, lights up that square metre with an illuminance of 1000 lux. The same 1000 lumens, spread out over ten square metres, produces a dimmer illuminance of only 100 lux.

Achieving an illuminance of 500 lux might be possible in a home kitchen with a single fluorescent light fixture with an output of 12000 lumens. To light a factory floor with dozens of times the area of the kitchen would require dozens of such fixtures. Thus, lighting a larger area to the same level of lux requires a greater number of lumens.

## Can I install Slimline fixtures outdoors?

No, the fixture is designed for normal indoor applications. The whole fixture can be placed inside a suitable weather proof enclosure as required, provided the fixture's ambient temperature is maintained between 15- 45°C.

## Can I fade the lamps up from zero?

No, like all dimmable fluorescent fixtures there is a minimum pre-set light level. For DimSlim, the minimum is set at 5-10% light output. Fading below the minimum level will switch the lamp OFF. The lamp will return to its minimum level (or any other level) on switch ON as requested by its control signal.

## Can I mix tube wattages on the same dimming channel?

Yes, this is possible, but depending upon the lamp colour/manufacture, the lamps may dim at different rates between full and minimum light output.

## Can I cut inter-connecting bus wires to make them longer?

Yes, but please use an interconnecting cable that does not use an earth- coloured wire for the signal connection.



# seamless illumination

seamless illumination

Innovative Design Plug 'n' Play Fluorescent & LED No Dark Spot



# FEELUX

Mr Resistor  
Showroom, Sales, Offices & Warehouse  
21 Lydden Road, London, SW18 4LT  
tel: 020 8874 2234 fax: 020 8871 2262  
info@mr-resistor.co.uk  
[www.mr-resistor.co.uk/feelux](http://www.mr-resistor.co.uk/feelux)