

## ▶ Smart compact sensor for easy use



**KROHNE**  
**INOR**

### ▶ OPTITEMP TRA-C10 – Hygienic compact sensor

OPTITEMP TRA-C10 is a compact temperature sensor designed for applications in the food & beverage-, pharmaceutical- and chemical industry. The small form factor and robust design makes it suitable for any application where space is a challenge.

With integrated transmitter preconfigured to a fixed temperature range, the sensor is simple to order, easy to install and maintain. OPTITEMP TRA-C10 is a highly accurate sensor featuring great reliability over the long term, and excellent measuring stability.



OPTITEMP TRA-C10

### Technical details (standard selection):

Material	1.4404 / 316L
Surface roughness	Ra 0.8 (Ra <0.8 available on request)
Output connection	M12
Enclosure Class	IP67
Measuring element	Pt100 sensor, class A acc. to IEC 60751
Temperature range	0... +100°C / -50... +150°C
Ambient temperature	-40... +85°C
Response time	Water 0.4 m/s: $t_{0.5} = 3.2$ s $t_{0.9} = 9.0$ s
Process connection	ISO 2852 DN25/38
Built-in transmitter	OPTITEMP OEM201
Output	4...20 mA, temperature linear
Sensor break	Upscale ( $\geq 21.0$ mA)
Sensor short-circuit	Downscale ( $\leq 3.6$ mA)
Vibration	4g acc. to IEC 60068
Shock	Acc. to IEC 60068
EMC	Acc. to EN/IEC 61 326-1*
Transmitter accuracy	$\pm 0.15^\circ\text{C}$ or $\pm 0.15\%$ of measuring span
Long-term stability	$\pm 0.1\%$ of span per year
Galvanic isolation	No
Power supply	7.5 to 32 VDC
Permissible load	700 $\Omega$ @ 24 VDC

\* Typical EMI immunity 0.15% of the measuring span, for some  $f_q > 1\%$

### Ordering information:

Product number	Insertion Length (L1)	Extension tube (L2)	Configuration	Built-in Transmitter
4002906801	50	73	-50 ... +200°C	Without
4002906802	100	73	-50 ... +200°C	Without
4002906803	50	73	0 ... +100°C	With
4002906804	100	73	0 ... +100°C	With
4002906805	50	88	-50 ... +150°C	With
4002906806	100	88	-50 ... +150°C	With
4002906807	50	73	Configurable*2	With
4002906808	100	73	Configurable*2	With

\*2 Configurable floating zeropoint -50...+50°C. Minimum span 50°C.

Other options are available on request. Please consult KROHNE INOR for further options.

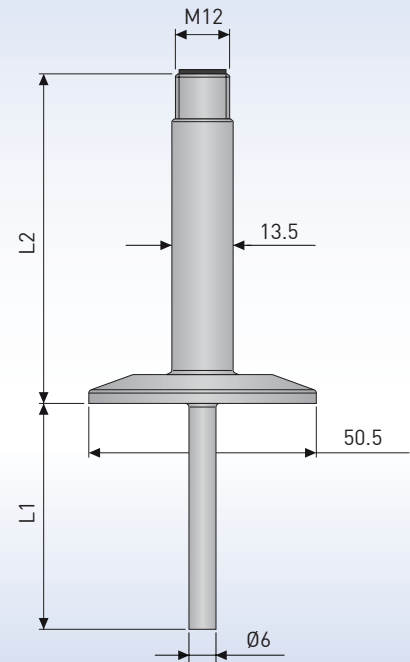
### Typical industries:

- Food & Beverage
- Pharmaceutical
- Chemical
- OEM

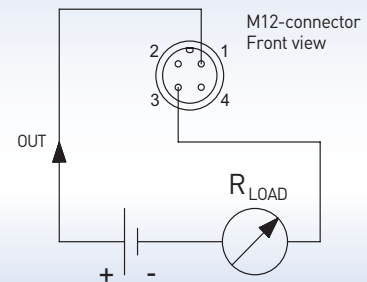
### Contact

Inor Process AB  
P.O. Box 9125  
SE-200 39 Malmö  
Sweden  
Tel.: +46 40 312 560  
Fax: +46 40 312 570  
sales.krohneinor@krohne.com

### Dimensions in mm



### Electrical connection with transmitter



### Electrical connection without transmitter

