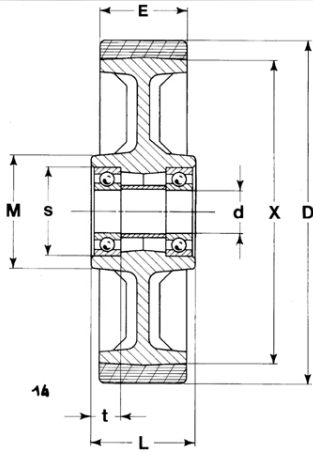
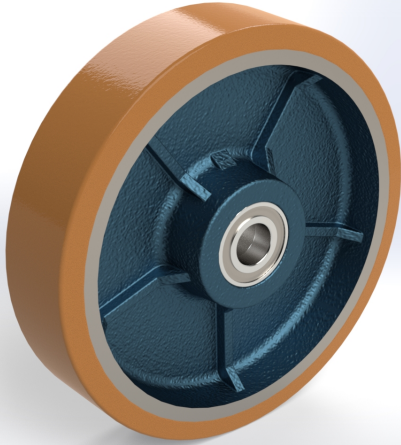


## Series Z ball bearing, Wheels

### Series Z ball bearing, Wheels - 7002



#### Technical Specifications

- Tread: firmly bonded cast polyurethane tyre, hardness  $95^\circ \pm 3^\circ$  Shore A.
- Wheel centre: cast iron, blue lacquered.
- Bearing: double shielded ball bearings lubricated with durable grease.
- Temperature range:  $-30^\circ\text{C}$  to  $+80^\circ\text{C}$ .

#### Characteristics

The wheels are very wear resistant, highly cut- and tear resistant, non-marking, vibration absorbing, have low rolling resistance and low-noise performance. Moreover they are highly shock resistant. A very robust, maintenance free wheel with very good rolling characteristics at light to very heavy loads.

#### Applications

Suitable for intensive use in raw conditions on dirty floors where yet higher requirements are made to rolling comfort and low rolling resistance. Also when greases or oils play a part.

#### Specifications

Article number	7002
Article group	Heavy duty
Bore diameter	12
Category	Wheels
Bearing seat diameter	32
Bearing seat depth	11,1
Fixing length	26
Characteristics	Non marking
Wheel centre diameter	60
Bearing type	Ballbearings
Tyre	Polyurethane
Tyre hardness	$90^\circ - 98^\circ$ Sh.A
Tyre width	28
Hub diameter	42
Hub width	28
Temperature range	$-20^\circ\text{C} / +60^\circ\text{C}$ , $-20^\circ\text{C} / +70^\circ\text{C}$ , $-30^\circ\text{C} / +80^\circ\text{C}$
Wheel type	Wheel (standard)
Rim	Cast iron
Wheel diameter	82