



Datasheet

- Easy and powerful measurement system in combination with pulse counters or display
- To linear and angular movements as Tool automatic, wooden, marble glass processing machines, cylinder, hydraulic or pneumatic tire, effective stroke, trapdoors, etc.
- Version
 PF: precision rotating potentiometer
- Easy mounting
- Impact resistant and self-extinguishing housing
- Resistance to solvents, gasoline, oil and grease



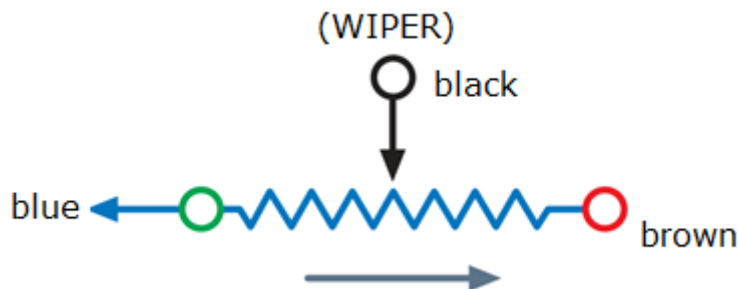
Mechanical Data

Version	PF1000	PF2000
Measuring Length [mm]	0-1000	0-2000
Available Stroke [mm]	1150	2200
Number of Cycles	400000	350000
Linearity	±0,25 %	
Color	grey RAL 7004	
Wight	400 g	
Speed	<0,5 m/s	
Wire Strength	< ~5,5 N	
Operating Temperature	-10 to 70°C	
Relative Humidity	10 to 90 %	
IP-Rating	IP54	

Electrical Data

Resistance	10 KΩ ±10%
Power Capacity	<1 W
Electrical Connection Cable Length [m]	2,5,10
Electromagnetic compatibility	2004/108/CE
Optional analog Output	I = 4-20 mA V = 0-10 VDC

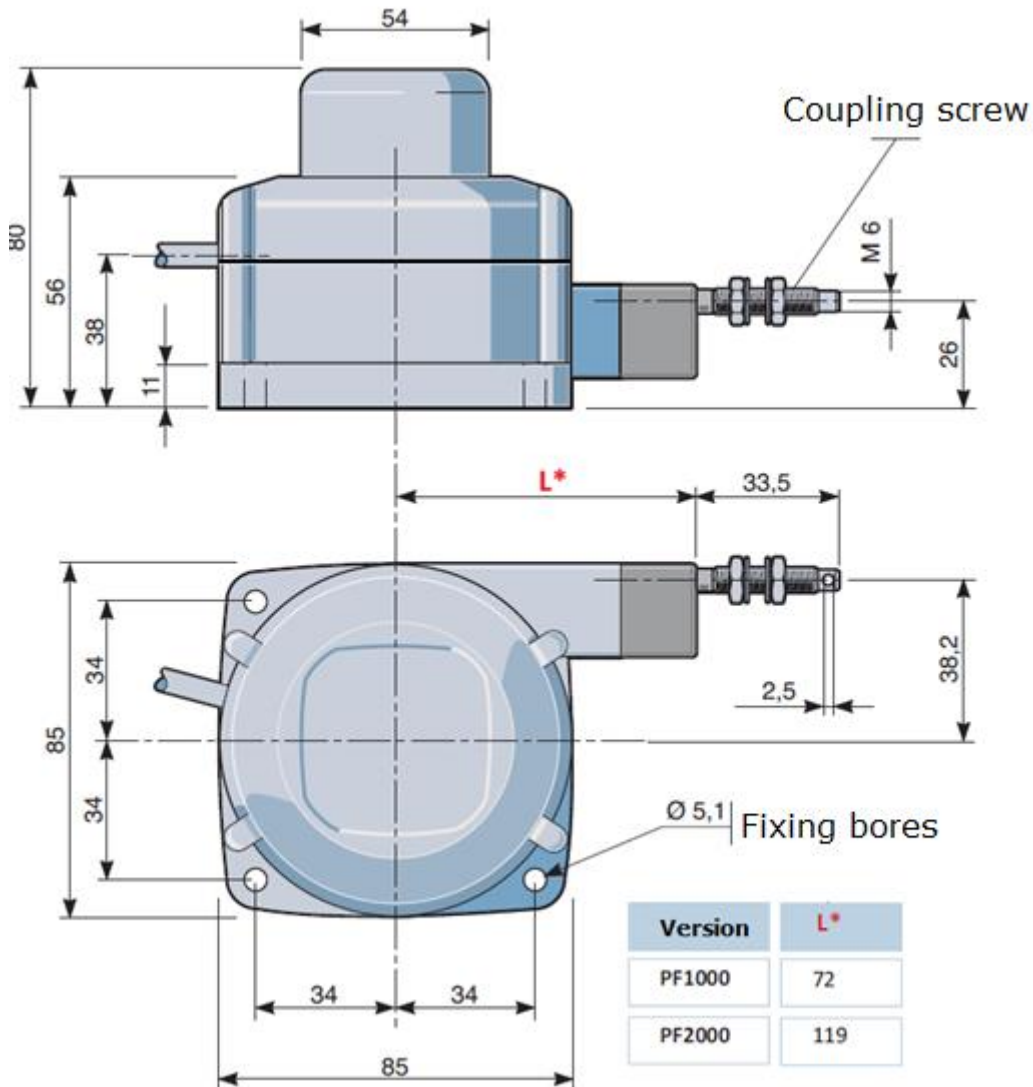
Circuit Data





Datasheet

Dimension



Ordering Example

Type	PF	-	2000	-	2m	-
Measuring Length	1000 2000					
Cable Length	2m 5m 10m					
Analog Output T (optional)	I = 4-20 mA V = 0-10 VDC					