

Dynascalers

Air-Powered Descaling and Surface Preparation Tool

ABRASIVE CAPACITY
3M ROTO PEEN®
 "Bonded Shot"
 Flap Assemblies

For Heavy-Duty Industrial, Marine, Construction Applications

- All models use optional 3M Roto Peen® "bonded shot" flap assemblies.
- Ideal for removing rust, oxide, scale, old paint and tough coatings from most surfaces.

Hand-Held Models

- Steel dowel pin (keepers) system allows easy flap loading and unloading.
- Four-position top handle adjusts for operator comfort.

Model 30304 Straight Line

- For 2" wide work on inside of pipe.
- Six-slot hub (2-1/4" wide) accepts optional 3M Roto Peen®. Adjustable for exact positioning of Roto Peen® to surface.

Model 30336 Straight Line

Model 30337 Right Angle

- Each model is for 2" wide work on flat surfaces.
- Ideal for removal of floor paint/coatings and for scarifying concrete.
- Vacuum port accepts 1-1/2" diameter cuff.

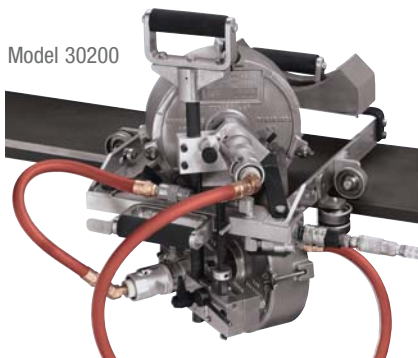


Model 30304



Model 30336

Model 30200



Over-Under Model

Model 30200 1" Wide Top and Bottom

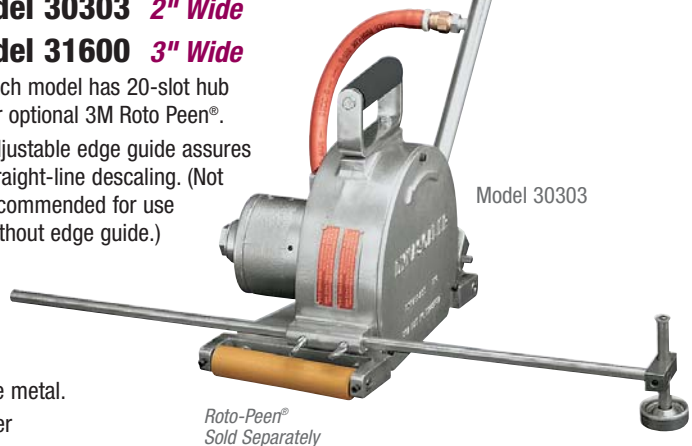
- Mechanically fractures scale and coatings, with negligible removal of base metal.
- "Over-under" simultaneous removal of scale, from top and bottom of girder webplates prior to welding.
- Top and bottom unit each use optional 1" wide 3M Roto Peen® "bonded shot" flap assemblies. Top unit easily detaches to permit portable "touch up" descaling.

Floor Models

Model 30303 2" Wide

Model 31600 3" Wide

- Each model has 20-slot hub for optional 3M Roto Peen®.
- Adjustable edge guide assures straight-line descaling. (Not recommended for use without edge guide.)



Model 30303

Roto-Peen®
 Sold Separately

Roto-Peen is registered trademark of 3M Company.

Model Number	Motor hp (W)	Motor RPM	Sound Level	Maximum Air Flow SCFM (LPM)	Hose I.D. Size Inch (mm)	Air Inlet Thread	Spindle Thread	Weight Pound (kg)	Length Inch (mm)	Height Inch (mm)
30303	1.7 (1,268)	1,650	94 dB(A)	78 (2,209)	1/2 (13)	3/8" NPT	—	44.2 (20)	8-3/4 (222)	11 (279)
31600	.4 (2,983)	1,650	94 dB(A)	127 (3,597)	1/2 (13)	3/8" NPT	—	54 (24.5)	8-3/4 (222)	11 (279)
30200	.7 (522)	2,100	94 dB(A)	38 (1,076)	1/2 (13)	3/8" NPT	—	33.2 (15)	14 (355)	10-3/4 (273)
30304	.7 (522)	2,400	94 dB(A)	38 (1,076)	1/2 (13)	3/8" NPT	1/2"-20 Male	6.2 (2.8)	11-3/4 (298)	8-1/4 (210)
30336	.7 (522)	2,400	94 dB(A)	38 (1,076)	1/2 (13)	3/8" NPT	1/2"-20 Male	6.5 (2.9)	11-3/4 (298)	8-1/4 (210)
30337	.7 (522)	1,950	94 dB(A)	38 (1,076)	1/2 (13)	3/8" NPT	1/2"-20 Male	6.5 (2.9)	11-3/4 (298)	8-1/4 (210)

Additional Specifications: Air Pressure 90 PSIG (6.2 Bar)

