

## FEATURES

- Configurable input for RTD, TC, mV, Resistance and Potentiometer
- Galvanic isolation at 1500 Vac
- 4 ÷ 20 mA configurable output on current loop
- Configurable by Personal Computer
- High accuracy
- On-field reconfigurable
- EMC compliant – CE mark
- Suitable for DIN B in-head mounting
- Option for DIN rail mounting in compliance with EN 50022 (DIN RAIL Option)



## GENERAL DESCRIPTION

The isolated transmitter DAT 1066 is able to execute many functions such as : measure and linearisation of the temperature characteristic of RTDs sensors, conversion of a linear resistance variation, conversion of a voltage signal even coming from a potentiometer connected on its input. Moreover the DAT 1066 is able to measure and linearise the standard thermocouples with internal cold junction compensation. The measured values are converted in a 4÷20 mA current signal . The device guarantees high accuracy and performances stability both in time and in temperature. The programming of the DAT 1066 is made by a Personal Computer using the software PROSOFT, developed by DATEXEL, that runs under the operative system "Windows™". By use of PROSOFT, it is possible to configure the transmitter to interface it with the most used sensors . In case of sensors with a no-standard output characteristic, it is possible to execute, via software, a "Custom" linearisation (per step) to obtain an output linearised signal . For Resistance and RTDs sensors it is possible to program the cable compensation with 3 or 4 wires; for Thermocouples it is possible to program the Cold Junction Compensation ( CJC ) as internal or external. It is possible to set the minimum and maximum values of input and output ranges in any point of the scale, keeping the minimum span shown in the table below. Moreover it is available the option of alarm for signal interruption (burn-out) that allows to set the output value as high or low out of scale . On the device is provided the function "Damping" that allows the user to set a programmable filter up to 30 seconds to reduce eventual sudden variations of the input signal. The 1500 Vac isolation between input and power supply/output eliminates the effects of all ground loops eventually existing and allows the use of the transmitter in heavy environmental conditions found in industrial applications. The DAT 1066 is in compliance with the Directive 2004/108/EC on the Electromagnetic Compatibility. It is housed in a self-extinguish plastic enclosure suitable for DIN B in-head mounting. Moreover ( by proper mounting kit ) it is possible to mount the DAT 1066 on DIN rail.

## USER INSTRUCTIONS

The transmitter DAT 1066 must be powered by a direct voltage between 7 to 32 V and applied to the terminals +V and -V.  
 The 4÷20 mA output signal is measurable in the power loop as shown in the section "Output/Power supply connections"; Rload is the input impedance of instruments on the current loop; to obtain a correct measure, the value of Rload will be calculated as function of the power supply value ( see section "Technical specification – Load characteristic").  
 The input connections must be made as shown in the section "Input connections".  
 To configure, calibrate and install the transmitter refer to sections " DAT1066: configuration and calibration" and "Installation Instructions".

### TECHNICAL SPECIFICATIONS (Typical at 25 °C and in nominal conditions)

Input type	Min	Max	Min. span	Input calibration (1)	Response time (10÷ 90%)
<b>TC(*) CJC int./ext.</b>				RTD > of ±0.1% f.s. or ±0.2°C Low res. > of ±0.1% f.s. or ±0.15 Ω High res. > of ±0.2% f.s. or ±1 Ω mV, TC > of ±0.1% f.s. or ±10 uV	about 400 ms
J	-200°C	1200°C	2 mV	<b>Output calibration</b>	<b>Power supply</b>
K	-200°C	1370°C	2 mV	Current ± 7 uA	Power supply voltage 7 .. 32 Vdc Reverse polarity protection 60 Vdc max
S	-50°C	1760°C	2 mV	<b>Input impedance</b>	<b>Isolation voltage</b>
R	-50°C	1760°C	2 mV	TC, mV >= 10 MΩ	Input – Power supply 1500 Vac, 50 Hz, 1 min.
B	400°C	1820°C	2 mV	<b>Linearity (1)</b>	<b>Load characteristic - Rload</b> (maximum load value on current loop per power supply value)
E	-200°C	1000°C	2 mV	TC ± 0.2 % f.s. RTD ± 0.1 % f.s.	
T	-200°C	400°C	2 mV	<b>Line resistance influence</b>	<b>Temperature &amp; humidity</b>
N	-200°C	1300°C	2 mV	TC, mV <=0.8 uV/Ohm RTD 3 wires 0.05%/Ω (50 Ω balanced max.) RTD 4 wires 0.005%/Ω (100 Ω balanced max.)	Operative temperature -40°C .. +85°C Storage temperature -40°C .. +85°C Humidity (not condensed) 0 .. 90 %
<b>RTD(*) 2,3,4 wires</b>				<b>RTD excitation current</b>	<b>Housing</b>
Pt100	-200°C	850°C	50°C	Typical 0.350 mA	Material PC + ABS V0 Mounting DIN B head or bigger Weight about 50 g. Dimensions Ø = 43 mm ; H = 24 mm
Pt1000	-200°C	200°C	50°C	<b>CJC comp.</b> ± 0.5°C	<b>EMC ( for industrial environments )</b>
Ni100	-60°C	180°C	50°C	<b>Thermal drift (1)</b>	Immunity EN 61000-6-2 Emission EN 61000-6-4
Ni1000	-60°C	150°C	50°C	Full scale ± 0.01% / °C CJC ± 0.01% / °C	
<b>Voltage</b>				<b>Burn-out values</b>	
mV	-100mV	+700mV	2 mV	Max. output value about 20.5 mA Min. output value about 3.8 mA Max. fault value about 21.6 mA Min. fault value about 3.5 mA	
<b>Potentiometer</b>				<b>Damping time constant</b>	
(Nominal value)	0 Ω	200 Ω	10%	Selectable from 0.3 to 30 s. Value 0: function not active.	
	200 Ω	500 Ω	10%	(1) referred to input Span (difference between max. and min. values)	
	0.5 KΩ	50 KΩ	10%		
<b>RES. 2,3,4 wires</b>					
Low	0 Ω	300 Ω	10 Ω		
High	0 Ω	2000 Ω	200 Ω		
<b>Output type</b>	<b>Min</b>	<b>Max</b>	<b>Min. span</b>		
Direct current	4 mA	20 mA	4 mA		
Reverse current	20 mA	4 mA	4 mA		

(\*) For temperature sensors it is possible to set the input range also in F degrees; to made the conversion use the formula: °F = (°C\*9/5)+32)

**DAT 1066: CONFIGURATION AND CALIBRATION**

**Warning: during these operations the device must always be powered.**

**- CONFIGURATION**

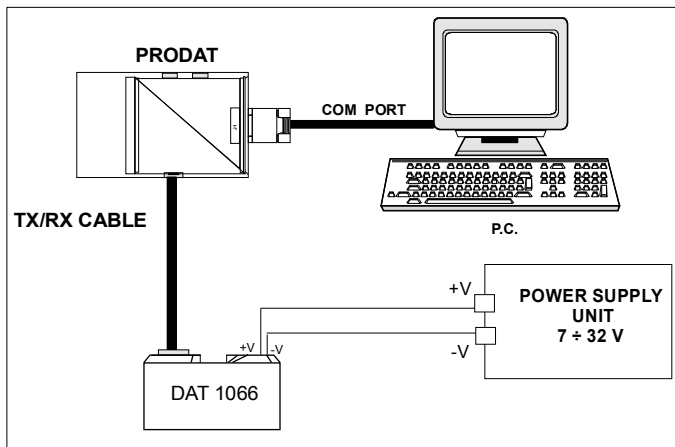
- 1) Power-on the DAT1066 by a direct voltage between  $7 \div 32$  V.
- 2) Remove the protection plastic cap on DAT 1066.
- 3) Connect the interface PRODAT to the Personal Computer and to device. (see section "DAT1066: PROGRAMMING").
- 4) Run the software PROSOFT.
- 5) Set the parameters of configuration.
- 6) Program the device.

**- CALIBRATION CONTROL**

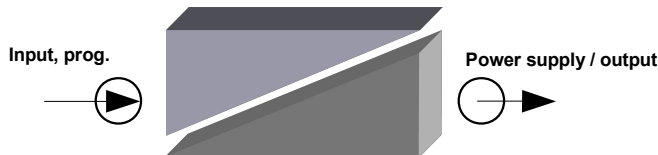
**With software PROSOFT running:**

- 1) Connect on the input a calibrator setted with minimum and maximum values referred to the electric signal or to the temperature sensor to measure.
- 2) Set the calibrator at the minimum value.
- 3) Verify that the device provides on output the minimum setted value.
- 4) Set the calibrator at the maximum value.
- 5) Verify that the device provides on output the maximum setted value.
- 6) In case of regulation of value obtained in the step 3 and 5, use the ZERO and SPAN regulators of software PROSOFT. The variation introduced from these regulators must be calculated as percentage of the input range.
- 7) Program the device with the new parameters.

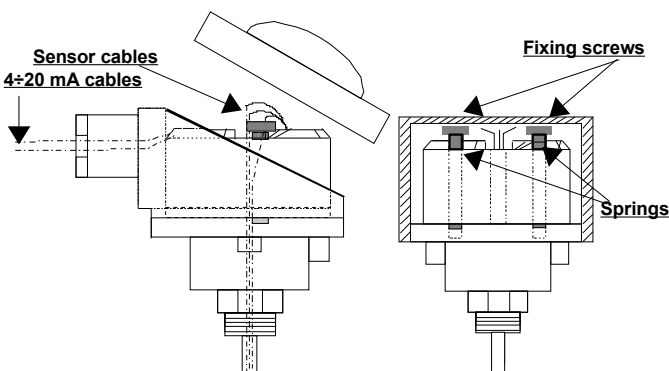
**DAT 1066: PROGRAMMING**



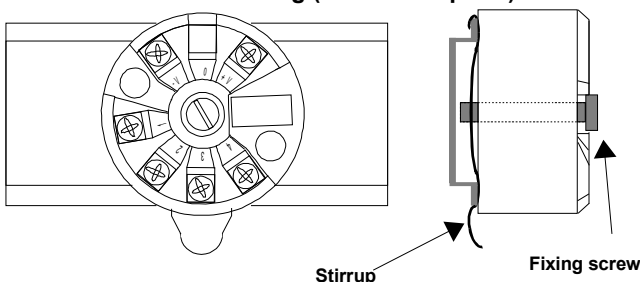
**ISOLATIONS STRUCTURE**



**DIN B in-head mounting**



**DIN rail mounting (DIN RAIL Option)**

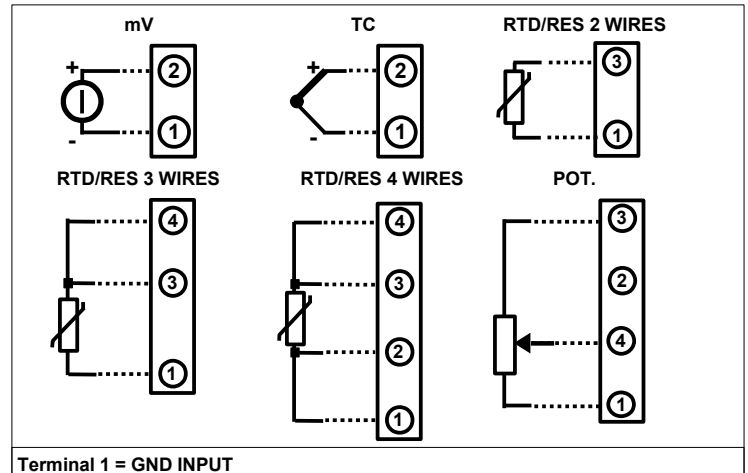


**INSTALLATION INSTRUCTIONS**

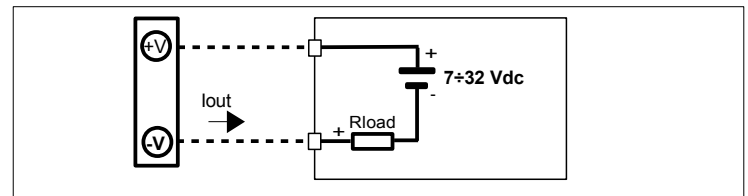
The device DAT 1066 is suitable for direct DIN B in-head mounting. The transmitter must be fixed inside the probe by the proper kit. By apposite stirrup, provided on request, it is possible to mount the device on DIN rail in compliance with EN-50022. It is necessary to install the device in a place without vibrations; avoid to routing conductors near power signal cables.

**DAT1066: CONNECTIONS**

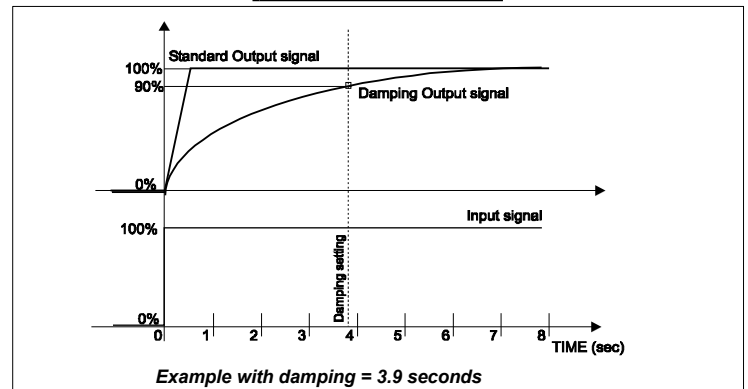
**INPUT CONNECTIONS**



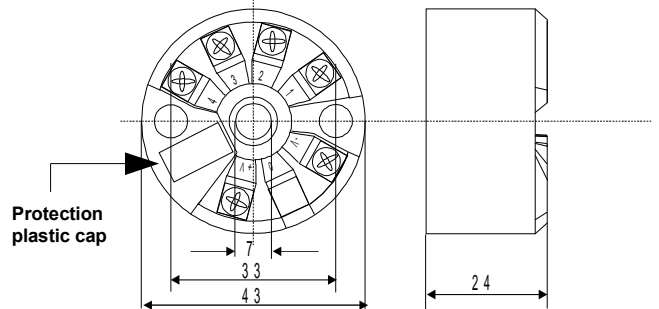
**OUTPUT/POWER SUPPLY CONNECTIONS**



**DAMPING FUNCTION**



**MECHANICAL DIMENSIONS (mm)**



**HOW TO ORDER**

The DAT1066 is provided as requested on the Customer's order. Refer to the section "Technical specification" to determine input and output ranges. The mounting kit for DIN rail is provided **only on request** with code DIN RAIL. In case of the configuration is not specified, the parameters must be set by the user.

**ORDER CODE EXAMPLE:**

**DAT 1066 / Pt100 / 3 wires / 0 ÷ 200 °C / S.L. / 4 ÷ 20 mA / Burn-out up**

Input type	Output range
Sensor options : RTD/RES:2,3,4 wires TC: CJC int. or ext.	High or low Out of scale
Input range	Output range

(\*) Linearisation options:  
S.L.: standard linearisation.  
N.L.: no linearisation.  
C.L.: linearisation by step (Custom):  
specify input curve