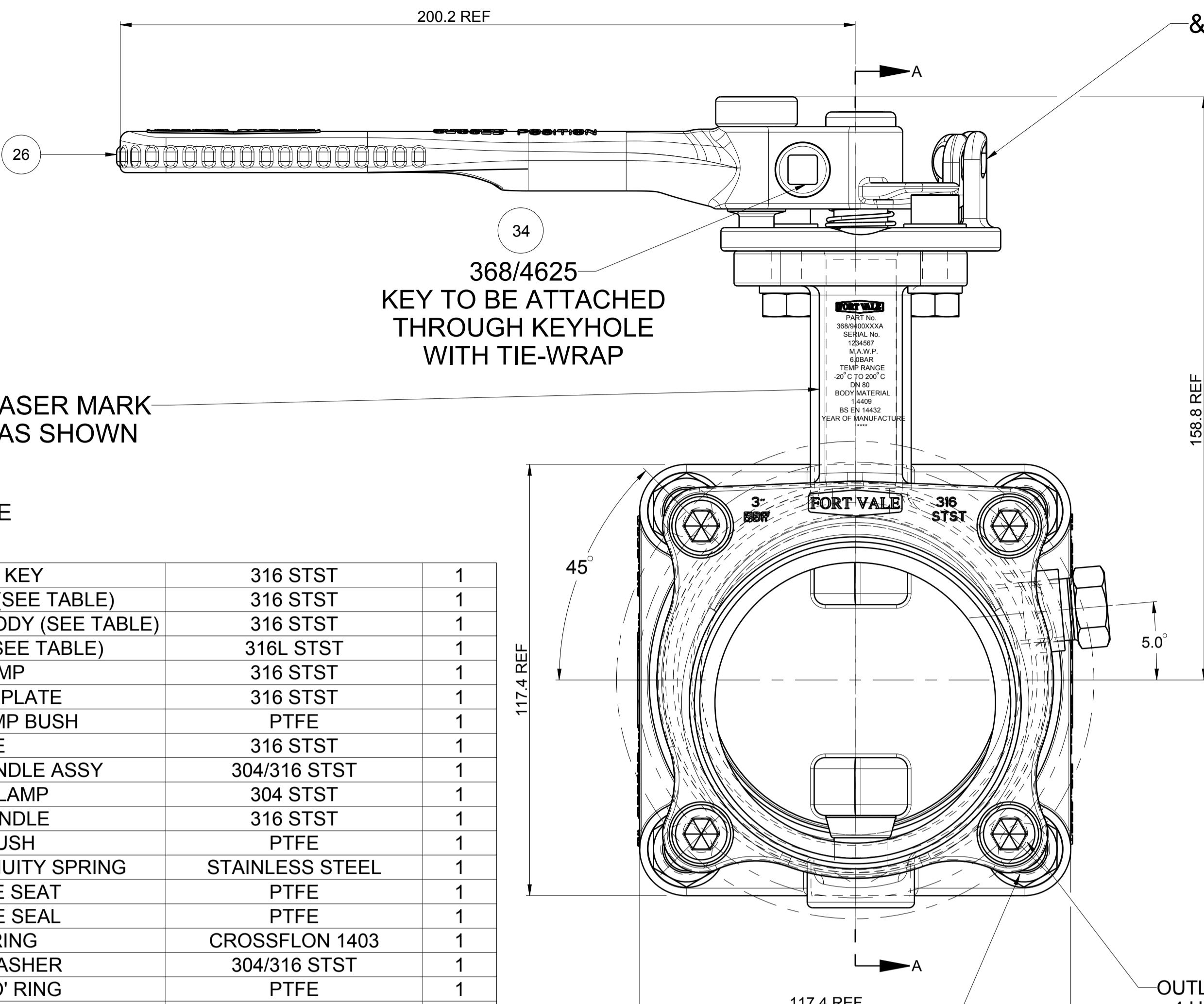


MOD	REVISION	SIG & DATE
09	368/0200/1 WAS 368/0200. 252/0517 ADDED.	JS 01/12/11
10	368/0200 WAS 368/0200/1.	JS 20/12/11
11	368/9432 DESCRIPTION UPDATED. "2006" REMOVED FROM LASER MARKING	TC 07/02/14

**FORT VALE**

PART No.  
368/9400XXA  
SERIAL No.  
1234567  
M.A.W.P.  
6.0BAR  
TEMP RANGE  
-20° C TO 200° C  
DN 80  
BODY MATERIAL  
1.4409  
BS EN 14432  
YEAR OF MANUFACTURE  
\*\*\*\*

LASER MARK  
AS SHOWN



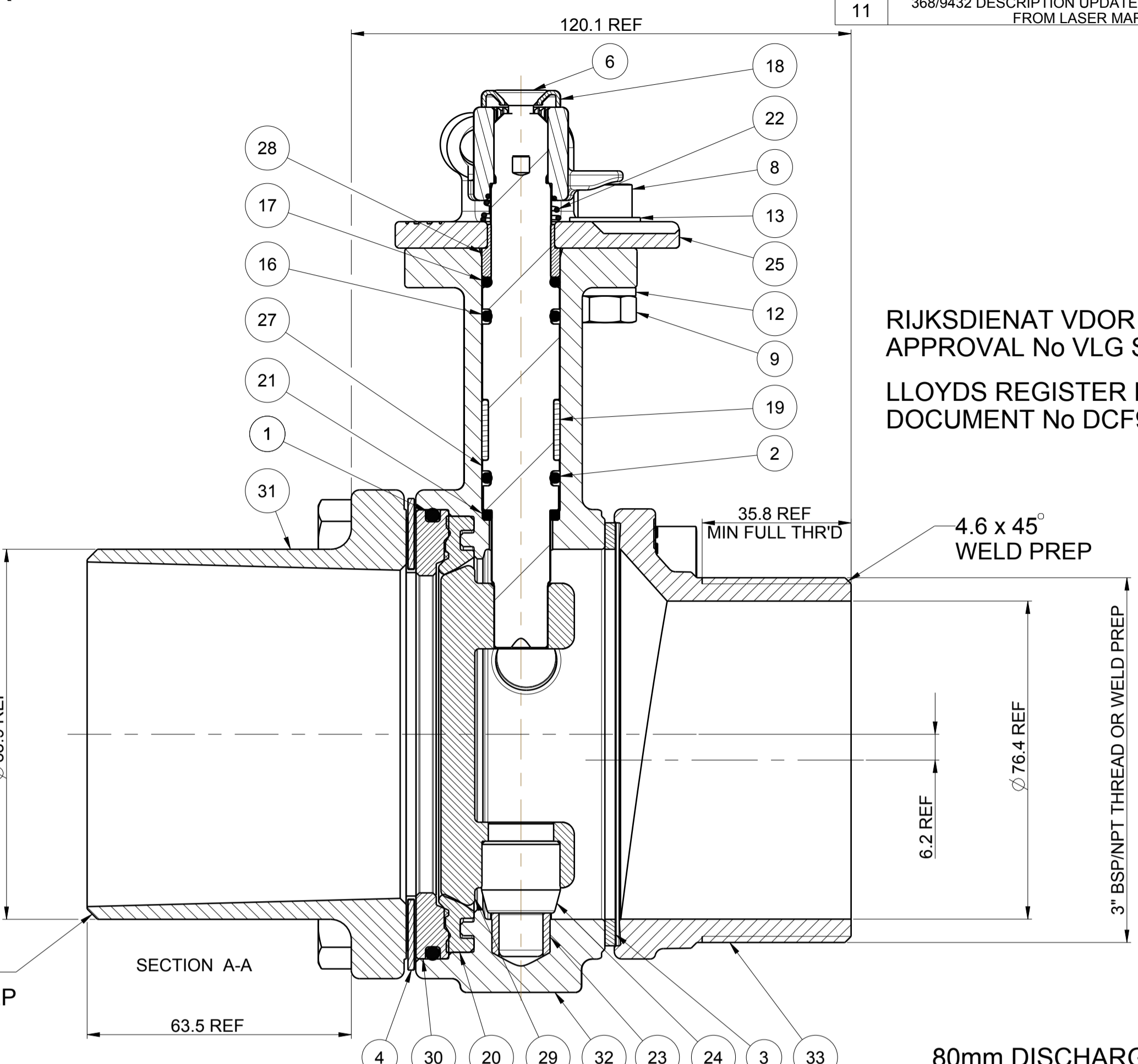
TIR TABS  
& PADLOCK  
STOPS

OUTLET ADAPTOR  
4 HOLES Ø 11.5  
EQUI-SPACED AS SHOWN  
ON A 118.62 PCD

INLET ADAPTOR  
4 HOLES Ø 14.0  
EQUI-SPACED AS SHOWN  
ON A 130.0 PCD

117.4 REF

4.6 x 45°  
WELD PREP



RIJKSDIENAT VDOR HET WEGVERKEER  
APPROVAL No VLG S-9301  
LLOYDS REGISTER DESIGN APPRAISAL  
DOCUMENT No DCF9376/1

80mm DISCHARGE VALVE  
TEST PROCEDURE:-

1. OPERATE VALVE 20 TIMES FULLY CLOSED TO FULLY OPEN.
2. APPLY WATER AT 10 PSIG TO INLET SIDE OF VALVE IN CLOSED POSITION. OBSERVE FOR LEAKAGE FOR 2 MINUTES. INCREASE PRESSURE TO 6.0 BARG (87 PSIG) OBSERVE FOR LEAKAGE FOR 2 MINUTES. RELEASE PRESSURE.
3. BLANK OFF OUTLET SIDE AND OPEN VALVE. APPLY AIR AT 10 PSIG AND SUBMERGE VALVE IN WATER. OBSERVE FOR LEAKAGE FOR 1 MINUTE. INCREASE PRESSURE TO 6.0 BARG (87 PSIG) & OPERATE VALVE 20 TIMES & OBSERVE FOR LEAKAGE AT SPINDLE FOR 2 MINUTES.

ACCEPTANCE CRITERIA:  
THERE SHOULD BE NO VISUALLY DETECTABLE LEAKAGE FOR THE DURATION OF THE TEST

NOTE:- VALVE MUST BE REMOVED FROM INLET ASSY PRIOR TO WELDING WITH TANKER OUTLET. REFIT VALVE WITH FLAP IN CLOSED POSITION.

DESIGN CODE : ASME VIII DIV 1 + EN14432

DESIGN PRESSURE (MAWP) : 6barg (87psig)  
HYDRAULIC TEST PRESSURE : 10barg (145psig)  
MAX DESIGN TEMPERATURE : 200°C (392°F)  
MIN DESIGN TEMPERATURE : -20°C (-4°F)

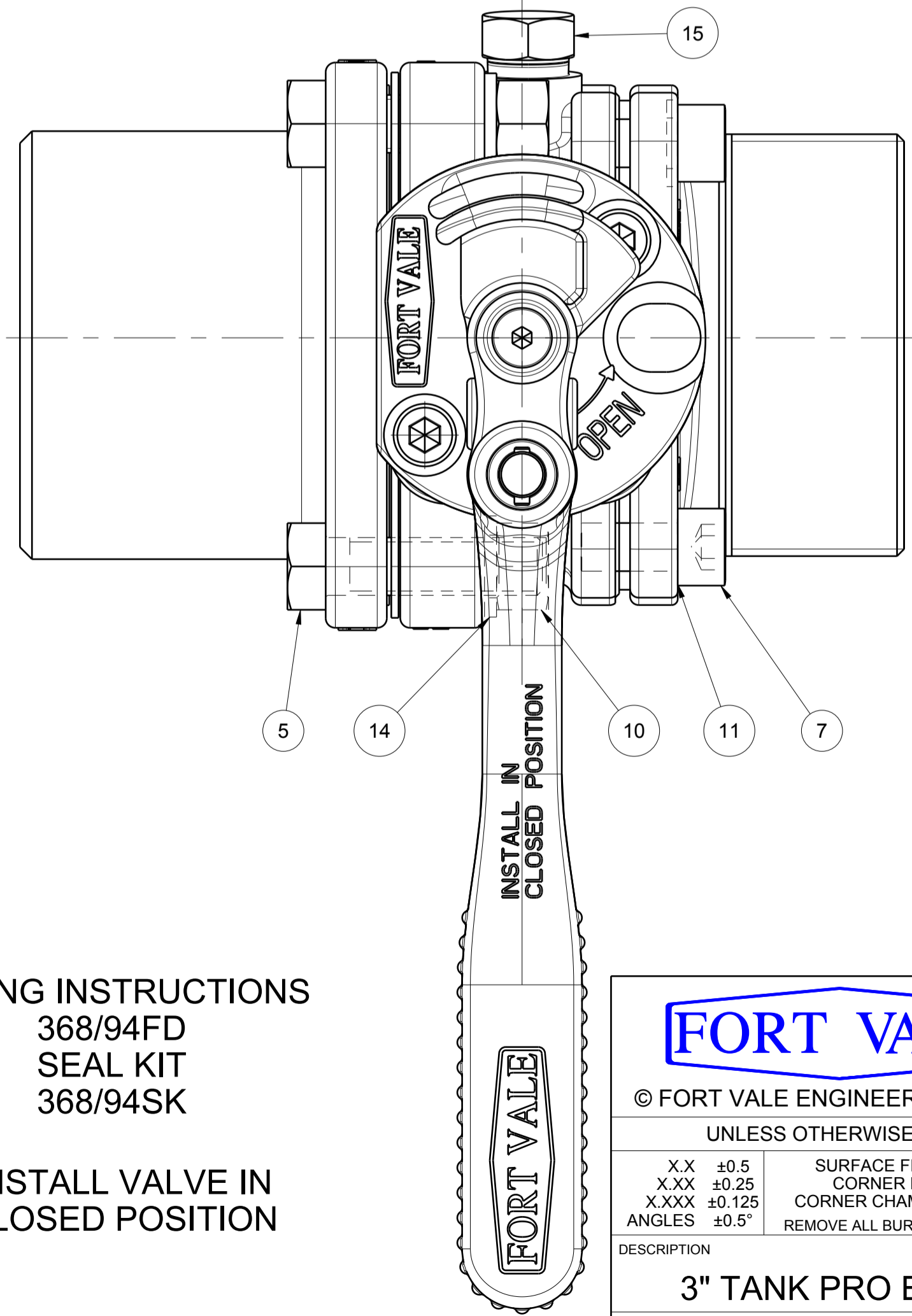
Index	Part Number	Description	Material	Qty
34	368/4625	OPERATING KEY	316 STST	1
33	368/94XX	OUTLET ADAPTOR (SEE TABLE)	316 STST	1
32	368/942XA	3" BUTTERFLY VALVE BODY (SEE TABLE)	316 STST	1
31	368/941X	INLET ADAPTOR (SEE TABLE)	316L STST	1
30	368/9148	SEAL CLAMP	316 STST	1
29	368/0400	L/H CLOSURE PLATE	316 STST	1
28	368/0301	STUFFING CLAMP BUSH	PTFE	1
27	368/0200	SPINDLE	316 STST	1
26	368/0075	BARREL LOCK HANDLE ASSY	304/316 STST	1
25	368/0041	STUFFING CLAMP	304 STST	1
24	368/0036	BOTTOM SPINDLE	316 STST	1
23	368/0035	BOTTOM BUSH	PTFE	1
22	368/0014	ELECTRICAL CONTINUITY SPRING	STAINLESS STEEL	1
21	368/0009	PTFE SPINDLE SEAT	PTFE	1
20	368/0002	3" DISCHARGE SEAL	PTFE	1
19	252/0517	SPLIT BEARING	CROSSFLON 1403	1
18	20370	RETAINING WASHER	304/316 STST	1
17	20363	BS113 PTFE 'O' RING	PTFE	1
16	20361	BS 113 'O' RING VITON	VITON	1
15	5128-0XX	3/8 TAPER PLUG (SEE TABLE)	316 STST	1
14	5113-010	M12 SPRING WASHER	304 STST	4
13	5113-005	M8 PLAIN WASHER IN FORM B	316 STST	2
12	5113-003	M8 SPRING WASHER	304 STST	2
11	5113-002	M10 FLAT SECTION SP/WASHER ST	304 STST	4
10	5112-006	M12 FULL NUT	304 STST	4
9	5112-001	M8 FULL NUT	304 STST	2
8	5111-148	M8 X 25MM CAP SCREW	304 STST	2
7	5111-053	M10 X 20 CAP SCREW	304 STST	4
6	5111-030	M6 X 16mm CSK BOLT	304 ST ST	1
5	5111-023	M12 X 45MM HEX BOLT	304 STST	4
4	5005-707	PTFE CNAF GASKET	PTFE / CNAF	1
3	5005-706	PTFE SEAL	P.T.F.E.	1
2	5005-586	BS 113 'O' RING PERFLUOROELASTOMER	PERFLUOROELASTOMER	1
1	5005-342	BS 239 'O' RING NITRILE	NITRILE	1

Assembly BOM

ASSEMBLY PART NUMBER	INLET ADAPTOR PART NUMBER	BODY ASSEMBLY PART NUMBER	OUTLET ADAPTOR PART NUMBER	VENT PLUG PART NUMBER
368/9400SXWA	368/9410 (STRAIGHT)	368/9420A (NON VENTED)	368/9432 (3" WELD PREP)	NOT APPLICABLE
368/9400SXNA	368/9410 (STRAIGHT)	368/9420A (NON VENTED)	368/9435 (3" NPT)	NOT APPLICABLE
368/9400SXEA	368/9410 (STRAIGHT)	368/9420A (NON VENTED)	368/9440 (3" BSP EXTENDED)	NOT APPLICABLE
368/9400SXBA	368/9410 (STRAIGHT)	368/9420A (NON VENTED)	368/9430 (3" BSP)	NOT APPLICABLE
368/9400SVNA	368/9410 (STRAIGHT)	368/9426A (VENTED 3/8" NPT)	368/9435 (3" NPT)	5128-070
368/9400SVEA	368/9410 (STRAIGHT)	368/9425A (VENTED 3/8" BSP)	368/9440 (3" BSP EXTENDED)	5128-011
368/9400SVBA	368/9410 (STRAIGHT)	368/9425A (VENTED 3/8" BSP)	368/9430 (3" BSP)	5128-011
368/9400NXEA	NOT REQUIRED	368/9420A (NON VENTED)	368/9440 (3" BSP EXTENDED)	NOT APPLICABLE
368/9400NXBA	NOT REQUIRED	368/9420A (NON VENTED)	368/9430 (3" BSP)	NOT APPLICABLE
368/9400NVBA	NOT REQUIRED	368/9425A (VENTED 3/8" BSP)	368/9440 (3" BSP EXTENDED)	5128-011
368/9400VBA	NOT REQUIRED	368/9425A (VENTED 3/8" BSP)	368/9430 (3" BSP)	5128-011
368/9400AXNA	368/9415 (ANGLED)	368/9420A (NON VENTED)	368/9435 (3" NPT)	NOT APPLICABLE
368/9400AXEA	368/9415 (ANGLED)	368/9420A (NON VENTED)	368/9440 (3" BSP EXTENDED)	NOT APPLICABLE
368/9400AXBA	368/9415 (ANGLED)	368/9420A (NON VENTED)	368/9430 (3" BSP)	NOT APPLICABLE
368/9400AVNA	368/9415 (ANGLED)	368/9426A (VENTED 3/8" NPT)	368/9435 (3" NPT)	5128-070
368/9400AVEA	368/9415 (ANGLED)	368/9425A (VENTED 3/8" BSP)	368/9440 (3" BSP EXTENDED)	5128-011
368/9400AVBA	368/9415 (ANGLED)	368/9425A (VENTED 3/8" BSP)	368/9430 (3" BSP)	5128-011

FITTING INSTRUCTIONS  
368/94FD  
SEAL KIT  
368/94SK

INSTALL VALVE IN  
CLOSED POSITION



**FORT VALE**

SALES@FORTVALE.COM WWW.FORTVALE.COM		ENGLAND, USA, CHINA NETHERLANDS, SINGAPORE	
© FORT VALE ENGINEERING LTD 2014.		DO NOT SCALE- IF IN DOUBT ASK	
UNLESS OTHERWISE STATED		FIRST ANGLE PROJECTION	MATERIAL: 316 STST
X.X ±0.5	SURFACE FINISH 3.2um MAX	SCALE: mm	MASS: 6.08 kg
X.XX ±0.25	CORNER RADII 0.8	CHECKED	DVN: 25160
X.XXX ±0.125	CORNER CHAMFER 1.0 X 45°	SHEET 1 OF 1	DATE: 17-Jun-03
ANGLES ±0.5°	REMOVE ALL BURRS AND SHARP EDGES	REGISTERED FIRM: LREQ4007111	DATE: 17-Jun-03
DESCRIPTION		DRG.NO.	
3" TANK PRO BUTTERFLY VALVE		368/9400XXA	
TYPE		3" BUTTERFLY VALVE	

A1 UNITS mm