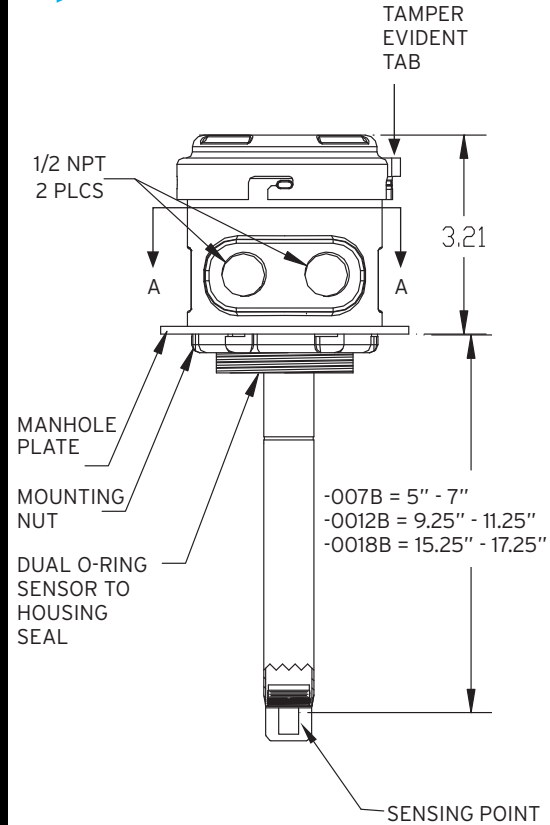


# 2 & 5-Wire Overfill Sensors

Optic overfill sensors detect the presence of liquid at a preset level. The new Civacon Universal 2 & 5-Wire Sensor is fully compatible with all our current Sensors and Monitors, as well as all industry standard signal formats. These Universal Sensors feature an exclusive, digital electronic circuitry design that will work directly with 2 & 5-wire loading racks when wired directly to a blue "optic" socket, as well as with all Onboard Monitors like our Liberty™. All of the features & benefits of these sensors are also available in our new 2-wire sensor version as well (see separate data sheet).



## Specifications



## Features and Benefits

- **Product Number Materials**
- **1551 & 1112E-XXXX Sensor Cap** - Glass Filled Nylon
- **Cap O-ring seals** - Silicone
- **Sensing Length Adjustability**  
Sensor Housing - Aluminum
- **Locking Nut** - Plated Steel
- **Product Range** Sensor Shaft - Aluminum
- **Viscosity** of less that 1000 SSU Prism
- **Snap Ring** - Stainless
- **Weight** 0.521 kg
- **Operating Temperature** -40° C to 70° C
- **Storage Temperature** -56.6°C to 137.7° C
- **\*\*Special length sensors** are available upon request
- **In accordance** with EN13922
- **Intrinsically safe operation**
- **Approvals** ATEX + IECeX & FM
- **Continuously** self checking

## General specifications

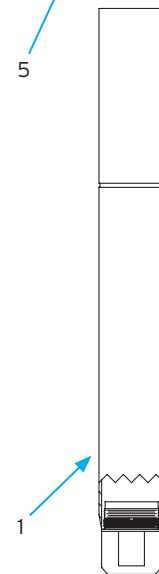
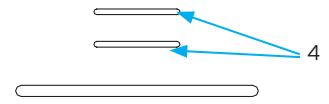
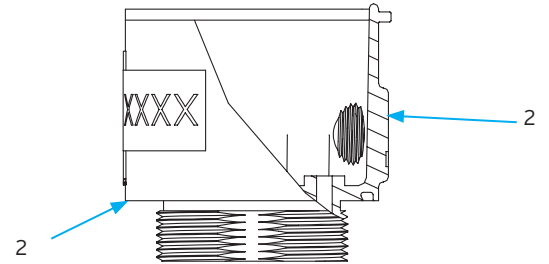
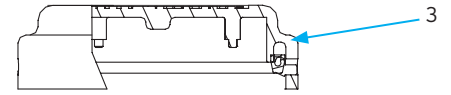
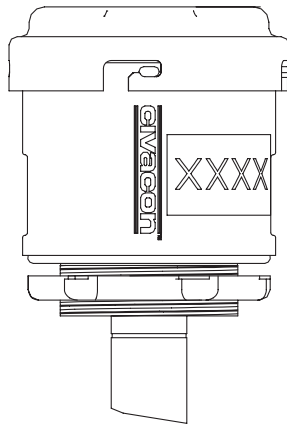
- Zone specification      Zone 0
- Working Temperature    -40°C to +70°C
- Signals                      Intrinsically safe
- Weight                        0,521 kg

## Spare parts

### Repair kit

12435 Probe Housing & Cap

Item	Part Nr	Description	QTY
1	1301-0018GEB	Replacement optic overfill sensor no housing 18" probe	1
2	H52840	Housing machined	1
3	H52936M	Cap probe housing with u-cup	1
4	H52842M	O-ring 2-021 buna	2
5	H52477M	Lock ring	1
6	H52898M	Screw	1



## Related products

Art. number	Description
4103-series	6-Pin Optical Socket
4403-series	10-Pin Optical/Thermistor Socket
2100E-L30	30m 5-Wire straight cable conform EN13922
EL05116	Cable Gland blue
EL00001	Ground Bolt
1551-series	2-Wire Optic Quick Start Sensors
1000RB	2-Wire Optic Bottom Retain Sensor
1398E	Truck tester, 4-J-slotted, black plug
1397E	Truck tester, 3-J-slotted, blue plug
3205E	On-board Monitoring System

## Ordering specifications

Art. number	Description
K1-1112-007EB	Adjustable 5-wire optic sensor with 2-inch BSP housing 7-inch shaft length
K1-1112-0018EB	Adjustable 5-wire optic sensor with 2-inch BSP housing 18-inch shaft length
1551-0018JB	Adjustable 2-wire optic sensor with 2-inch BSP housing 18-inch shaft length